

PLEASE CHECK WWW.MOLEX.COM FOR LATEST PART INFORMATION

Part Number: **0190440184**
Status: **Active**
Description: Krimptite™ Ring Tongue Terminal for 14-16 Heavy Duty AWG Wire

Documents:

[Drawing \(PDF\)](#) [RoHS Certificate of Compliance \(PDF\)](#)

Agency Certification

CSA LR18689
 UL E32244

General

Product Family Ring and Spade Terminals
 Series 19044
 Comments Heavy Duty
 Crimp Quality Equipment Yes
 Mil-Spec N/A
 Product Name Krimptite™
 Type Ring

Physical

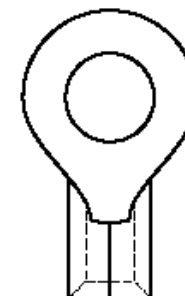
Barrel Type Closed
 Insulation None
 Material - Plating Mating Tin
 Packaging Type Bag
 Plating min: Mating (µin) 100
 Plating min: Mating (µm) 2.5
 Plating min: Termination (µin) 100
 Plating min: Termination (µm) 2.5
 Stud Size 3/8" (M9)
 Termination Interface: Style Crimp or Compression
 Wire Size AWG 14, 16
 Wire Size mm² 1.30 - 2.00

Material Info

Old Part Number B-140-38HD

Reference - Drawing Numbers

Sales Drawing SD-19044-008



*Series
 image - Reference only*

EU RoHS

**ELV and RoHS
 Compliant**

REACH SVHC

Contains SVHC: No

Halogen-Free

Status

Halogen-Free

China RoHS



**Need more information on product
 environmental compliance?**

Email productcompliance@molex.com
 For a multiple part number RoHS Certificate of
 Compliance, [click here](#)

Please visit the [Contact Us](#) section for any
 non-product compliance questions.

Search Parts in this Series

19044Series

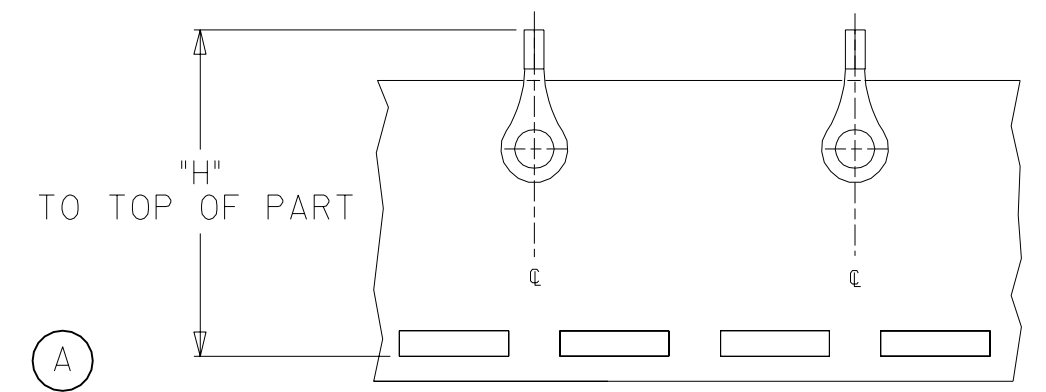
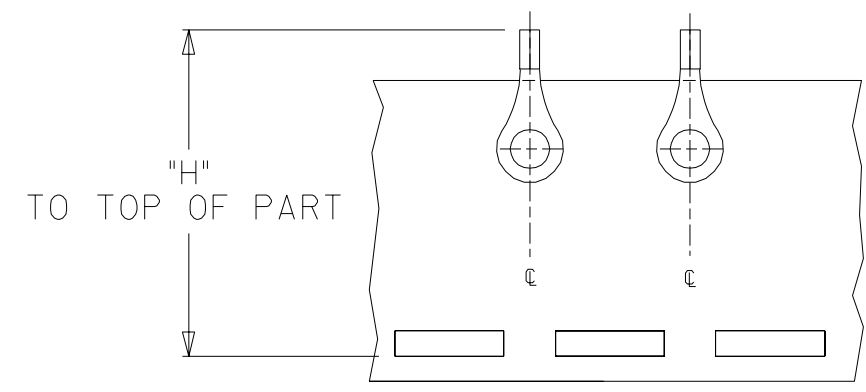
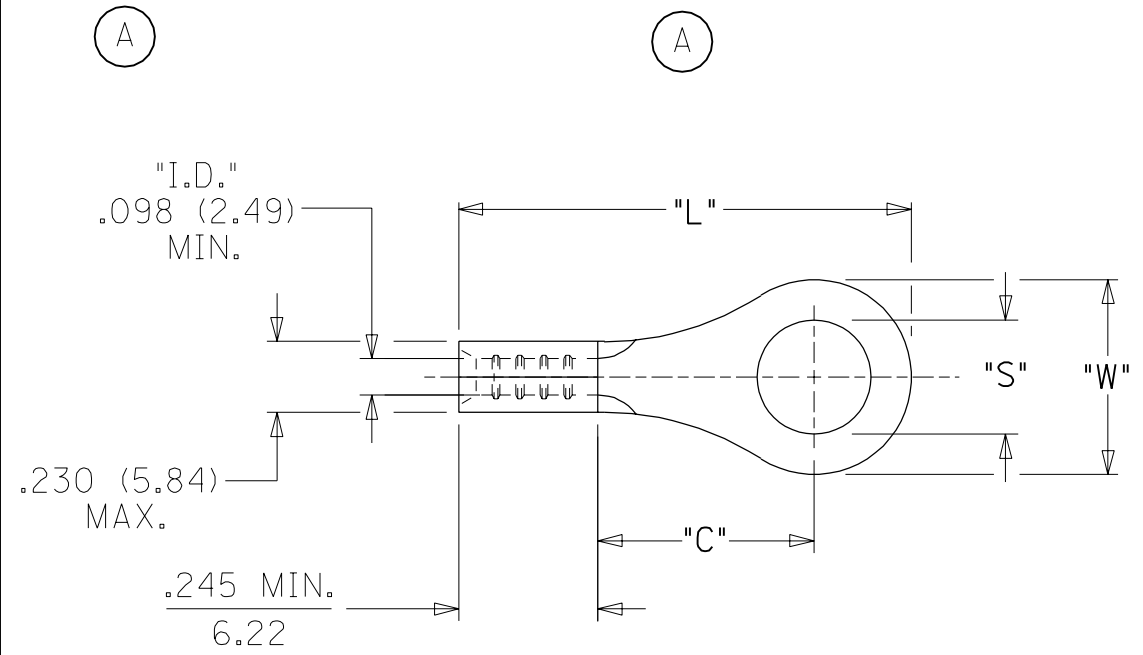
Application Tooling | [FAQ](#)

*Tooling specifications and manuals are
 found by selecting the products below.
 Crimp Height Specifications are then
 contained in the Application Tooling
 Specification document.*

Global

Description	Product #
Hand Crimp Tool	0640030100
Crimp Head for the AT-200™ Pneumatic Hand Tool	0640070100

MATERIAL NO. LOOSE PIECE	ENG. NO.	MATERIAL NO. TAPE MOUNTED	ENG. NO.	STUD SIZE	±.003 "S"	"W" MAX. (A)	"C" MIN.	"L" MAX.	"H" ±.020/0.51 (A)
190440137	B-101-12HD	190440138	B-101-12HDT	12	.515 (13.10)	.760 (19.30)	.611 (15.52)	1.280 (32.51)	1.556 (39.52)
190440139	B-101-14HD	-----	-----	14	.265 (6.73)				
190440140	B-101-38HD	-----	-----	38	.390 (9.91)				
190440141	B-101-56HD	-----	-----	56	.328 (8.33)				
190440142	B-101-76HD	190440229	B-101-76HDT	76	.453 (11.51)	.385 (9.78)	.303 (7.70)	.785 (19.94)	
190440161	B-128-06HD	-----	-----	6	.146 (3.71)				
190440162	B-128-08HD	-----	-----	8	.173 (4.39)				
190440163	B-128-10HD	190440164	B-128-10HDT	10	.198 (5.03)	.540 (13.72)	.393 (9.98)	.952 (24.18)	1.234 (31.34)
190440166	B-130-10HD	190440022	B-130-10HDT	10	.198 (5.03)				
190440167	B-130-14HD	190440023	B-130-14HDT	14	.265 (6.73)	.292 (7.42)	(A) .303 (7.70)	.741 (18.82)	
190440168	B-130-56HD	190440024	B-130-56HDT	56	.328 (8.33)				
190440172	B-136-04HD	-----	-----	4	.119 (3.02)				
190440173	B-136-06HD	190440026	B-136-06HDT	6	.146 (3.71)	.598 (15.19)	.466 (11.84)	1.056 (26.82)	1.426 (36.22)
190440174	B-136-08HD	190440027	B-136-08HDT	8	.173 (4.39)				
190440180	B-140-10HD	-----	-----	10	.198 (5.03)				
190440182	B-140-14HD	190440183	B-140-14HDT	14	.265 (6.73)				
190440184	B-140-38HD	190440185	B-140-38HDT	38	.390 (9.91)	.328 (8.33)			
190440186	B-140-56HD	190440187	B-140-56HDT	56					



SALES DRAWING

NOTE(S):
 1. MATERIAL: COPPER (.050/1.27 THICK)
 2. PLATING: ELECTROPLATE TIN.
 3. ALL DIMENSIONS IN INCHES/(MM).

WIRE SIZE: 16-14 AWG
 1.0 - 2.5 MM²

UPDATE TO MX STDS. EC NO. ETC2003-0203 DRWN: DLM 04/05/05 CHK: HB 04/05/05 APPR: RWD 04/05/05	QUALITY SYMBOLS MAJOR = ∅ CRITICAL = ∅	GENERAL TOLERANCES: (UNLESS SPECIFIED)	SCALE: NTS DESIGN UNITS: <input type="checkbox"/> mm <input checked="" type="checkbox"/> INCH	DIMENSIONS: <input type="checkbox"/> mm <input checked="" type="checkbox"/> INCH <input type="checkbox"/> mm ONLY	SHT REV REVISE ON CAD ONLY
		mm INCH 4 PLACES ±0.----- ±.----- 3 PLACES ±0.--- ±.005 2 PLACES ±0.13 ±.010 1 PLACE ±0.25 ±.---	DRAWN BY & DATE: DLM 03/02/28 CHECKED BY & DATE: SB 03/02/28 APPROVED BY & DATE: RWD 03/02/28	TITLE: RING TONGUE TERMINAL HEAVY-DUTY KRIMPTITE 16-14 AWG	
		ANGULAR: ±1/2° DRAFT WHERE APPLICABLE MUST REMAIN WITHIN DIMENSIONS	CAD FILENAME: SD19044008.DGN MATERIAL NO. (SEE CHART) DRAWING NO. SD-19044-008 SHEET NO. 1 OF 1	MOLEX INCORPORATED	
			THIS DRAWING CONTAINS INFORMATION THAT IS PROPRIETARY TO MOLEX INCORPORATED AND SHOULD NOT BE USED WITHOUT WRITTEN PERMISSION.		