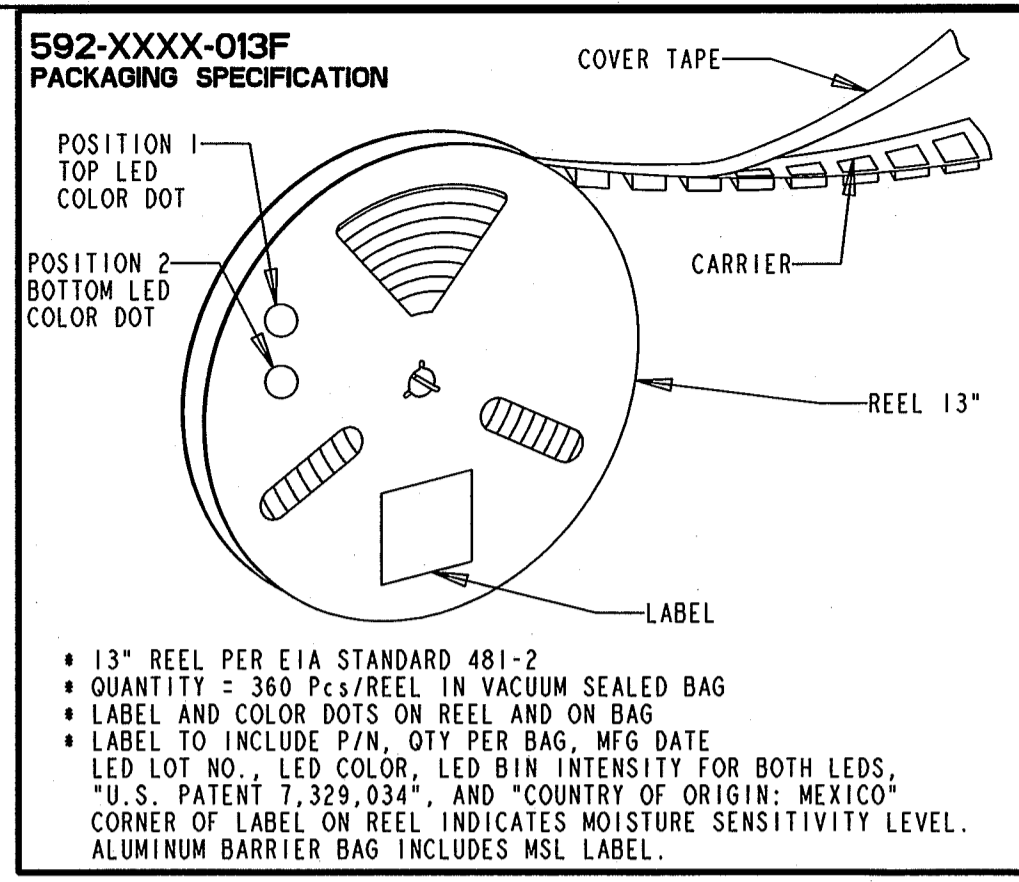
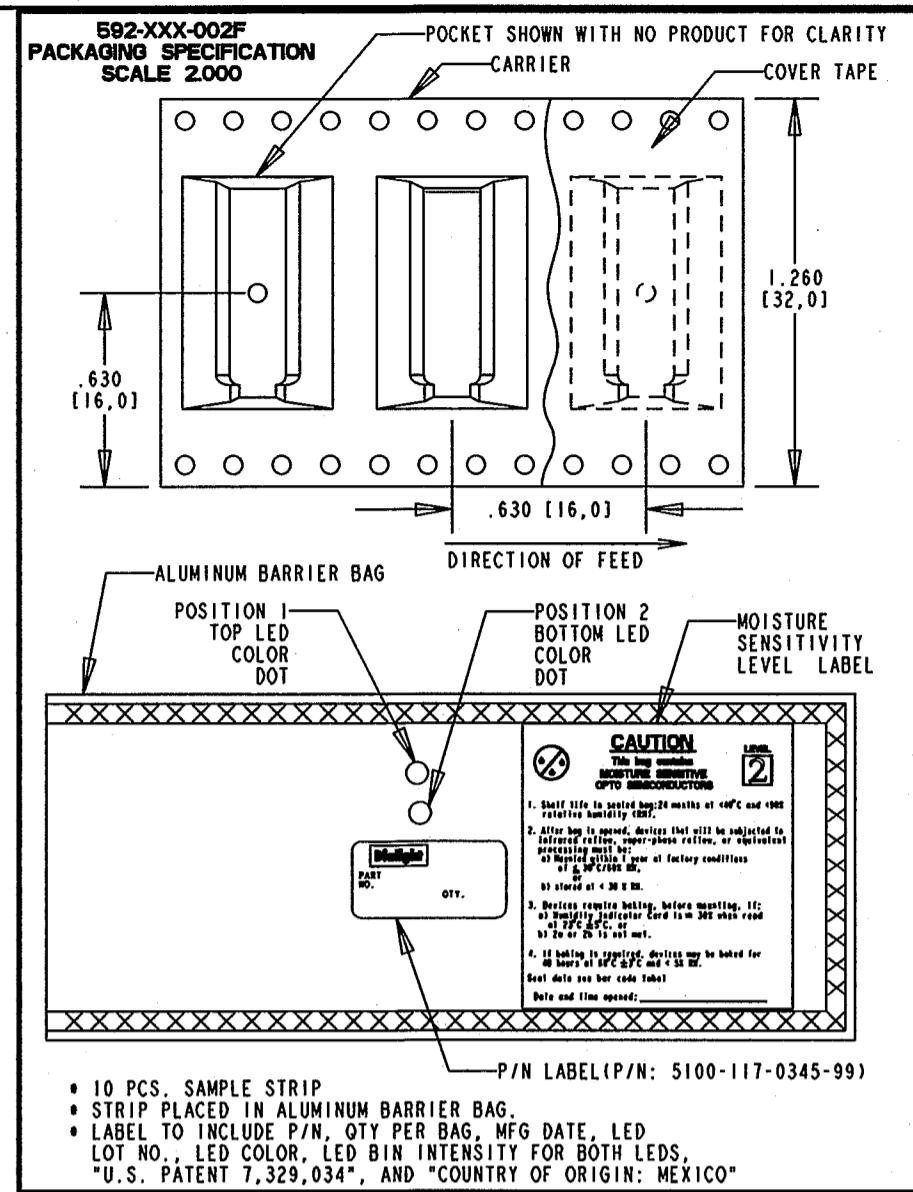
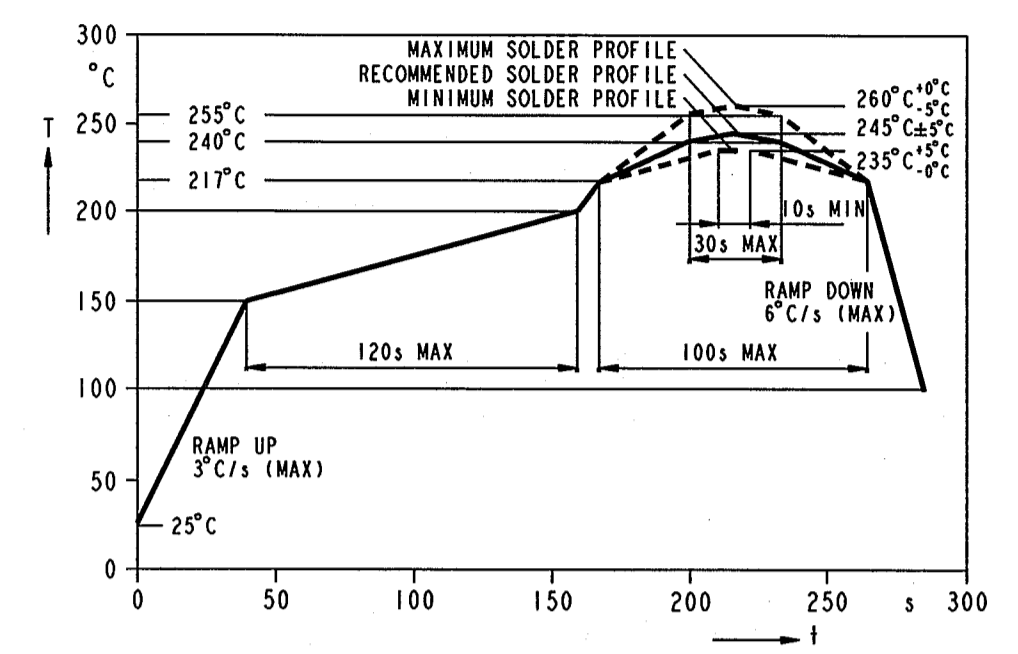


DIALIGHT PART NUMBER	POSITION 1	POSITION 2	MSL
592-2020-002F	RED (HI.EFF)	RED (HI.EFF)	2
592-2020-013F	RED (HI.EFF)	RED (HI.EFF)	2
592-2023-002F	RED (HI.EFF)	GREEN	2
592-2023-013F	RED (AIInGaAs)	GREEN	2
592-2121-002F	RED (AIInGaAs)	RED (AIInGaAs)	2
592-2121-013F	RED (AIInGaAs)	RED (AIInGaAs)	2
592-2124-002F	RED (AIInGaAs)	YELLOW	2
592-2124-013F	RED (AIInGaAs)	YELLOW	2
592-2222-002F	GREEN (HI.INT)	GREEN (HI.INT)	2
592-2222-013F	GREEN (HI.INT)	GREEN (HI.INT)	2
592-2320-002F	GREEN	RED (HI.EFF)	2
592-2320-013F	GREEN	RED (HI.EFF)	2
592-2323-002F	GREEN	GREEN	2
592-2323-013F	GREEN	GREEN	2
592-2324-002F	GREEN	YELLOW	2
592-2324-013F	GREEN	YELLOW	2
592-2326-002F	GREEN	BLUE (InGaN)	2
592-2326-013F	GREEN	BLUE (InGaN)	2
592-2420-002F	YELLOW	RED (HI.EFF)	2
592-2420-013F	YELLOW	RED (HI.EFF)	2
592-2422-002F	YELLOW	GREEN (HI.INT)	2
592-2422-013F	YELLOW	GREEN (HI.INT)	2
592-2423-002F	YELLOW	GREEN	2
592-2423-013F	YELLOW	GREEN	2
592-2424-002F	YELLOW	YELLOW	2
592-2424-013F	YELLOW	YELLOW	2
592-2525-002F	ORANGE	ORANGE	2
592-2525-013F	ORANGE	ORANGE	2
592-2626-002F	BLUE (InGaN)	BLUE (InGaN)	2
592-2626-013F	BLUE (InGaN)	BLUE (InGaN)	2
592-2627-002F	BLUE (InGaN)	YELLOW (AlInGaP)	2
592-2627-013F	BLUE (InGaN)	YELLOW (AlInGaP)	2
592-2628-002F	BLUE (InGaN)	WHITE	2
592-2628-013F	BLUE (InGaN)	WHITE	2
592-2631-002F	BLUE (InGaN)	YELLOW/GREEN	2
592-2631-013F	BLUE (InGaN)	YELLOW/GREEN	2
592-2727-002F	YELLOW (AlInGaP)	YELLOW (AlInGaP)	2
592-2727-013F	YELLOW (AlInGaP)	YELLOW (AlInGaP)	2
592-2826-002F	WHITE	BLUE (InGaN)	2
592-2826-013F	WHITE	BLUE (InGaN)	2
592-2828-002F	WHITE	WHITE	2
592-2828-013F	WHITE	WHITE	2
592-3030-002F	RED/GREEN	RED/GREEN	2
592-3030-013F	RED/GREEN	RED/GREEN	2
592-3126-002F	YELLOW/GREEN	BLUE (InGaN)	2
592-3126-013F	YELLOW/GREEN	BLUE (InGaN)	2
592-3131-002F	YELLOW/GREEN	YELLOW/GREEN	2
592-3131-013F	YELLOW/GREEN	YELLOW/GREEN	2
592-3232-002F	RED/YELLOW	RED/YELLOW	2
592-3232-013F	RED/YELLOW	RED/YELLOW	2
592-3535-002F	RED/GREEN/BLUE	RED/GREEN/BLUE	2
592-3535-013F	RED/GREEN/BLUE	RED/GREEN/BLUE	2
592-3031-002F	RED/GREEN	YELLOW/GREEN	2
592-3031-013F	RED/GREEN	YELLOW/GREEN	2



REV.	ECN NO.	REVISIONS	DRN.	CKD.	APP.	DATE
A		NEW RELEASE	TWC	NO	MES	2-22-05
B		ADDED P-N 592-2627-002F & 592-2627-013F & ESD LOGO	SM	MES	N.O.	4-24-07
C		ADDED P/N'S 592-2826-002F, -013F; ADDED U.S. PATENT AND COUNTRY OF ORIGIN INFO TO LABELS IN REEL AND SAMPLE STRIP NOTES; ADDED NOTE 6.	KLJ			11-4-08

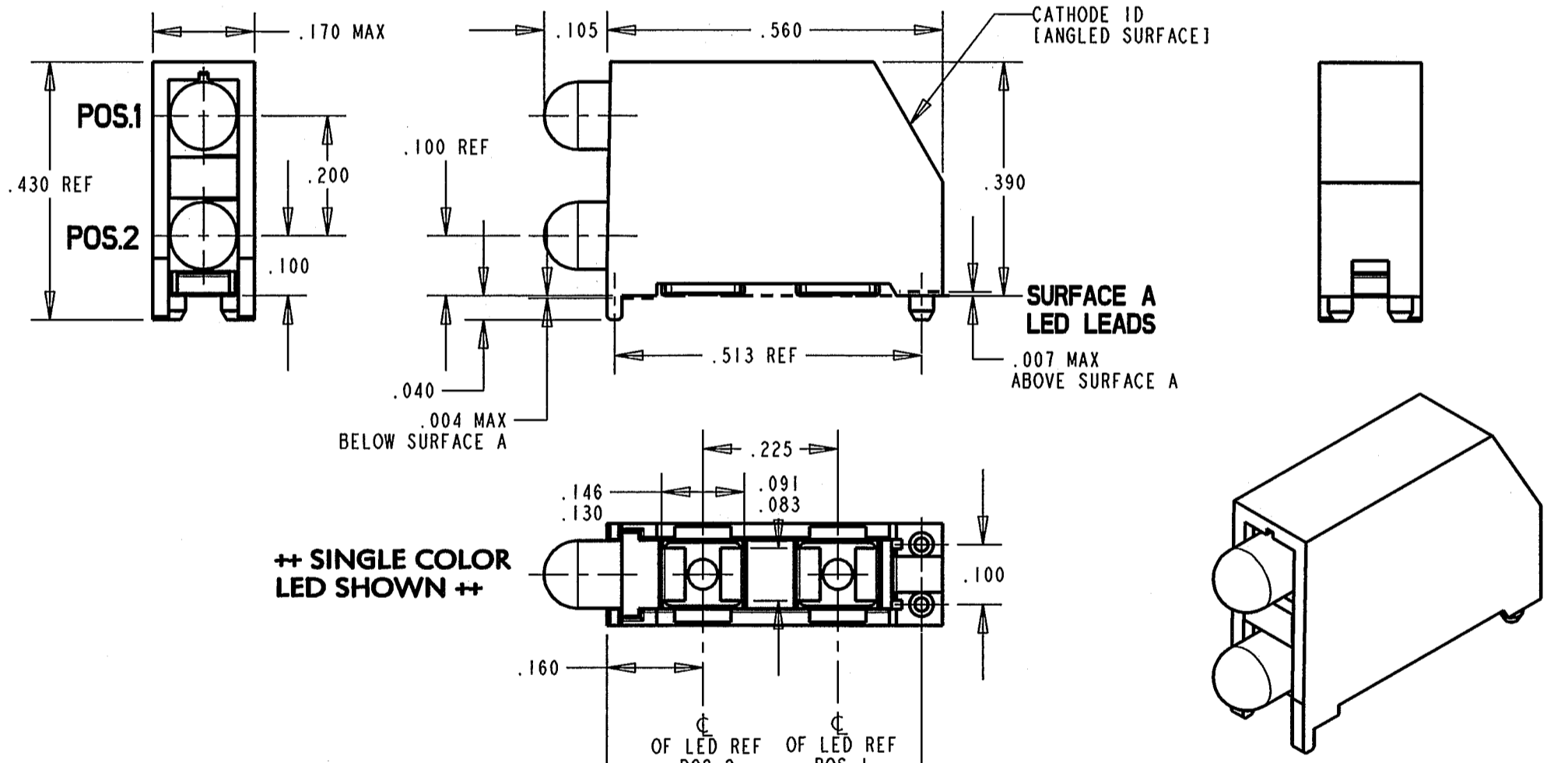


RECOMMENDED RoHS COMPLIANT REFLOW PROFILE

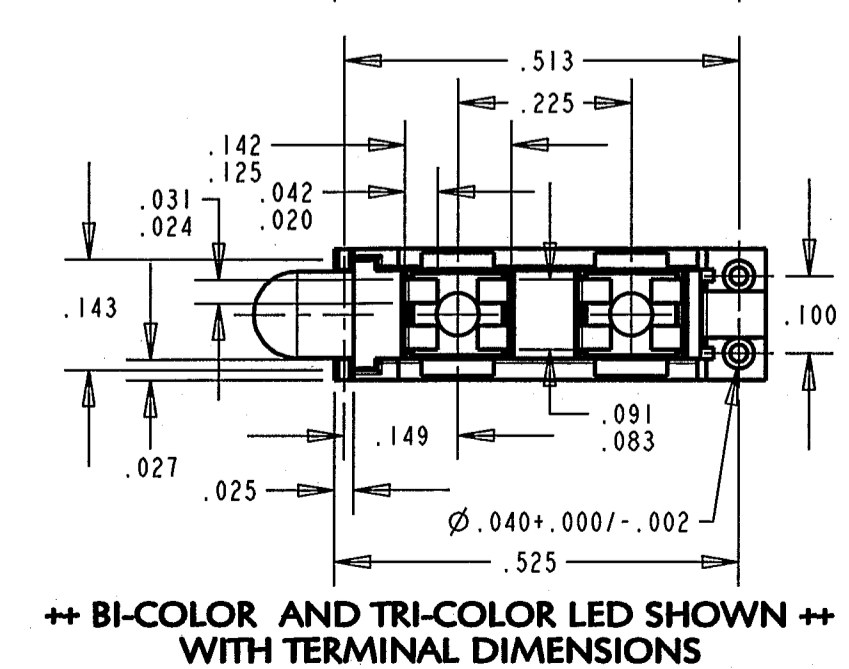


ATTENTION:
OBSERVE PRECAUTIONS FOR HANDLING ELECTROSTATIC SENSITIVE DEVICES

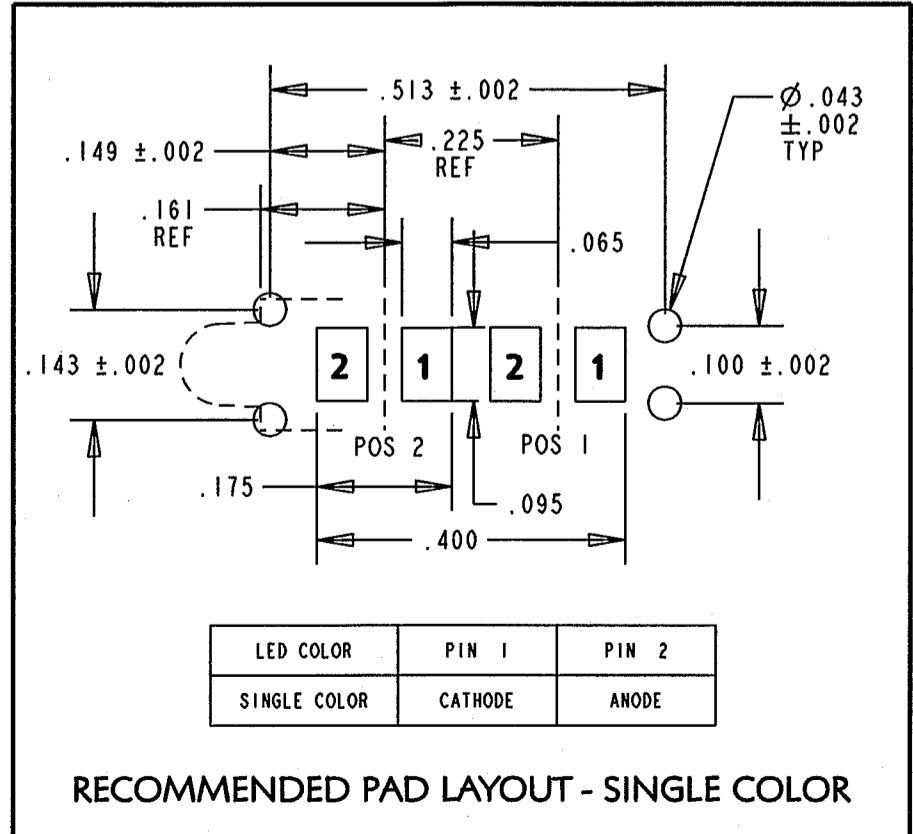
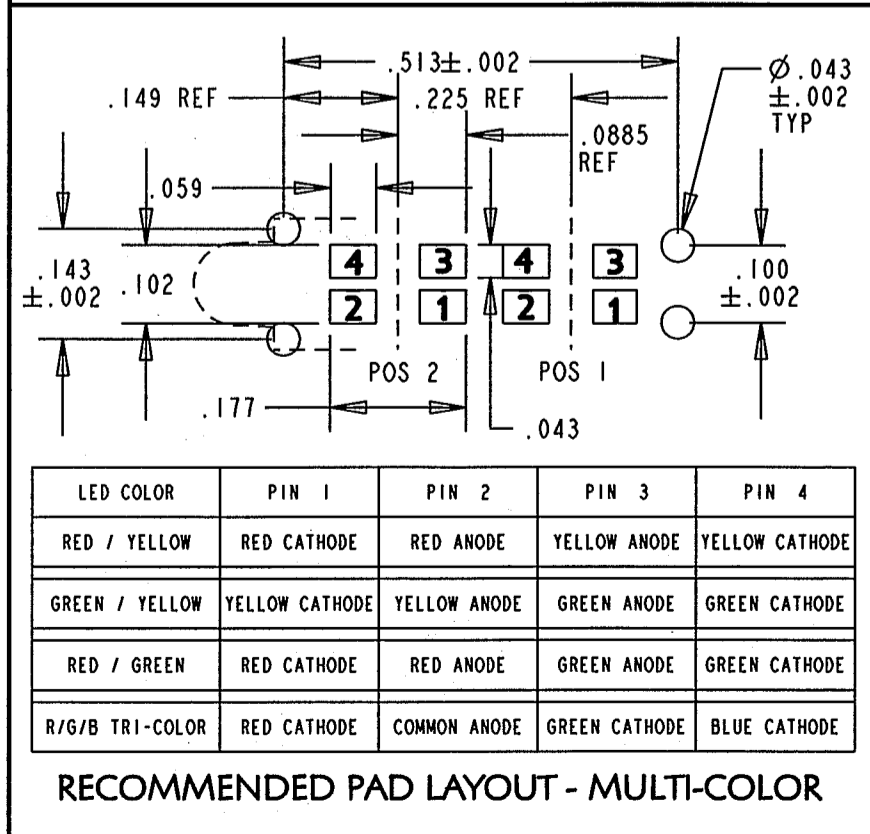
- NOTES:
- STORAGE OF TAPED PARTS SHALL NOT EXCEED TWELVE (12) MONTHS AFTER WHICH RE-PACKAGING IS REQUIRED
 - FRONT AND REAR TERMINALS (OF EACH LED) OF THE ASSEMBLY TO BE WITHIN .005 COPLANARITY
 - MOISTURE SENSITIVITY LEVEL LABEL WILL BE PLACED ON THE BAG. CHECK CHART FOR PROPER LEVEL.
 - CAUTION**
OBSERVE PRECAUTIONS IN HANDLING ELECTROSTATIC SENSITIVE DEVICES. FOR EYE SAFETY DO NOT STARE DIRECTLY INTO THE LIGHT BEAM OF THESE LED DEVICES AT CLOSE RANGE.
 - DIALIGHT PART NUMBERS =
592-XXXX-002F [STRIP]
592-XXXX-013F [13" REEL]
 - PATENT INFORMATION: U.S. PATENT 7,329,034



++ SINGLE COLOR LED SHOWN ++



++ BI-COLOR AND TRI-COLOR LED SHOWN ++ WITH TERMINAL DIMENSIONS



RoHS Compliant 592 Bi-level Surface Mount Prism

Part Numbers with the "F" suffix ending are RoHS Compliant. Example: 592-2020-002F, 592-3535-013F. The bag and reel are marked with "RoHS Compliant" label or equivalent markings. Parts can be reflow soldered to the Reflow Profile shown using typical lead-free soldering process with max 260°C peak temp.

THIS DRAWING AND THE CONTENTS HEREIN ARE CONFIDENTIAL AND THE SOLE PROPERTY OF DIALIGHT. REPRODUCTION OF THIS DRAWING OR CONSTRUCTION OF ANY PARTS WITHIN THIS DRAWING ARE FORBIDDEN WITHOUT THE WRITTEN CONSENT OF DIALIGHT.		
SCALE: 4.000	DRAWING NUMBER	REV
ALL DIM'S IN: INCHES (MM)	C-17285	C
TOLERANCES: UNLESS OTHERWISE SPECIFIED	TITLE	
FRACTIONS: ±1/64	BI-LEVEL PRISM	
DECIMALS (.XX): ±.02	RoHS COMPLIANT	
DECIMALS (.XXX): ±.015	MATERIAL	
DECIMALS (.XXXX): ±.0005	Dialight	
ANGLES: ±3°	1501 ROUTE 34 SOUTH FARMINGDALE, NJ 07727	
FINISH:	FSCM 83330	SHEET 1 OF 1 FAMILY TABLES: