

Data Sheet



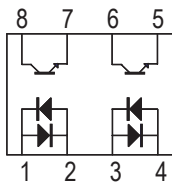
Description

The ACPL-824 is an AC-input dual channel full-pitch phototransistor optocoupler which contains four light emitting diode optically coupled to two separate phototransistor. It is packaged in a 8-pin DIP package.

Likewise, the ACPL-844 is an AC-input quad channel full-pitch phototransistor optocoupler which contains eight light emitting diode optically coupled to four separate phototransistor. It is packaged in a 16-pin DIP package

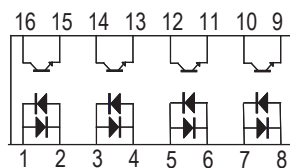
For both types, it is also available in wide-lead spacing option and lead bend SMD option with input-output isolation voltage at $5000 V_{rms}$. Response time, t_r , is typically $4 \mu s$ and CTR is 20% to 300%.

ACPL-824 pin layout



- Pin 1, 3 Anode or Cathode
- Pin 2, 4 Cathode or Anode
- Pin 5, 7 Emitter
- Pin 6, 8 Collector

ACPL-844 pin layout



- Pin 1, 3, 5, 7 Anode or Cathode
- Pin 2, 4, 6, 8 Cathode or Anode
- Pin 9, 11, 13, 15 Emitter
- Pin 10, 12, 14, 16 Collector

Features

- Current transfer ratio (CTR: min. 20% at $I_F = \pm 1 mA$, $V_{CE} = 5V$)
- High input-output isolation voltage ($V_{ISO} = 5,000V_{RMS}$)
- Response time (t_r : typ. $4 \mu s$ at $V_{CE} = 2V$, $I_C = 2mA$, $R_L = 100 \Omega$)
- Compact dual-in-line package
- Safety and regulatory approvals
 - CSA
 - UL 1577
 - IEC/EN/DIN EN 60747-5-2
- Options available:
 - Leads with 0.4" (10.16 mm) spacing (W00)
 - Lead bend for surface mounting (300)
 - Tape and reel for SMD (500) – (ACPL-824 only)
 - IEC/EN/DIN EN 60747-5-2 approved (060)
 - Lead-Free (000E)

Applications

- I/O Interface for Programmable controllers, computers
- Sequence controllers
- System appliances, measuring instruments
- Signal transmission between circuits of different potentials and impedances.

Ordering Information

ACPL-8x4 is UL Recognized with 5000 Vrms for 1 minute per UL1577 and is approved under CSA Component Acceptance Notice #5, File CA 88324.

| Part number | RoHS Compliant Option | | No. of Channels | Surface Mount | Gull Wing | Tape & Reel | IEC/EN/DIN EN 60747-5-2 | Quantity |
|-------------|-----------------------|---------------|-----------------|---------------|-----------|-------------|-------------------------|-------------------|
| | Rank '0' | Package | | | | | | |
| ACPL-824 | -000E | 300mil DIP-8 | Dual | | | | | 50 pcs per tube |
| | -300E | 300mil DIP-8 | | x | X | | | 50 pcs per tube |
| | -500E | 300mil DIP-8 | | X | X | X | | 1000 pcs per reel |
| | -060E | 300mil DIP-8 | | | | | X | 50 pcs per tube |
| | -360E | 300mil DIP-8 | | x | x | | X | 50 pcs per tube |
| | -560E | 300mil DIP-8 | | x | X | X | X | 1000 pcs per reel |
| | -W00E | 400mil DIP-8 | | | | | | 50 pcs per tube |
| | -W60E | 400mil DIP-8 | | | | | X | 50 pcs per tube |
| ACPL-844 | -000E | 300mil DIP-16 | Quad | | | | | 25 pcs per tube |
| | -300E | 300mil DIP-16 | | x | X | | | 25 pcs per tube |
| | -060E | 300mil DIP-16 | | | | | X | 25 pcs per tube |
| | -360E | 300mil DIP-16 | | x | X | | X | 25 pcs per tube |
| | -W00E | 400mil DIP-16 | | | | | | 25 pcs per tube |
| | -W60E | 400mil DIP-16 | | | | | X | 25 pcs per tube |

To order, choose a part number from the part number column and combine with the desired option from the option column to form an order entry.

Example 1:

ACPL-824-360E to order product of 300mil DIP-8 Dual Channel AC Gull Wing Surface Mount package in Tube packaging with 20%<CTR<300%, IEC/EN/DIN EN 60767-5-2 Safety Approval and RoHS compliant.

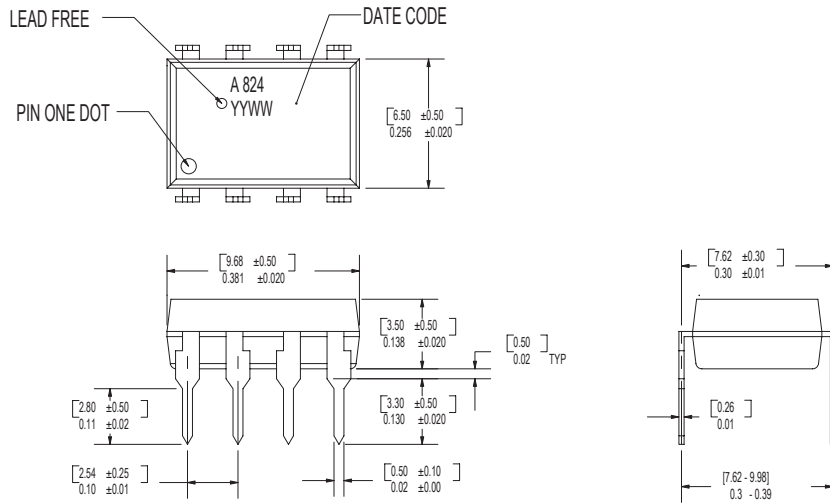
Example 2:

ACPL-844-W00E to order product of 400mil DIP-16 Quad Channel AC package in Tube packaging with 20%<CTR<300% and RoHS compliant.

Option datasheets are available. Contact your Avago sales representative or authorized distributor for information.

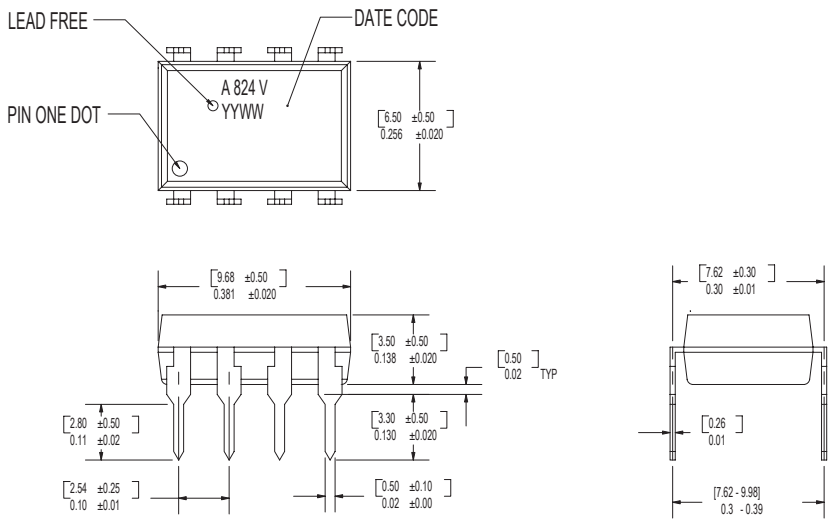
Package Outline Drawings

ACPL-824 Package Outline



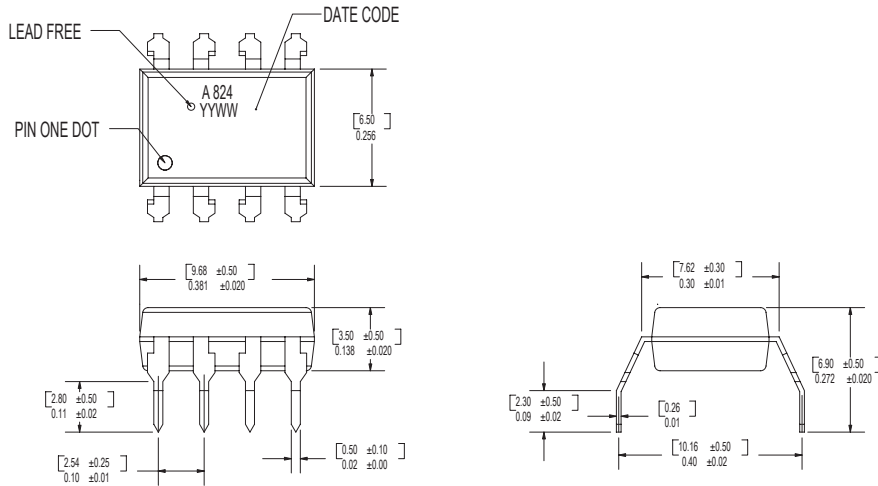
DIMENSIONS IN [MILLIMETERS] AND INCHES

ACPL-824 Package Outline – Option 060



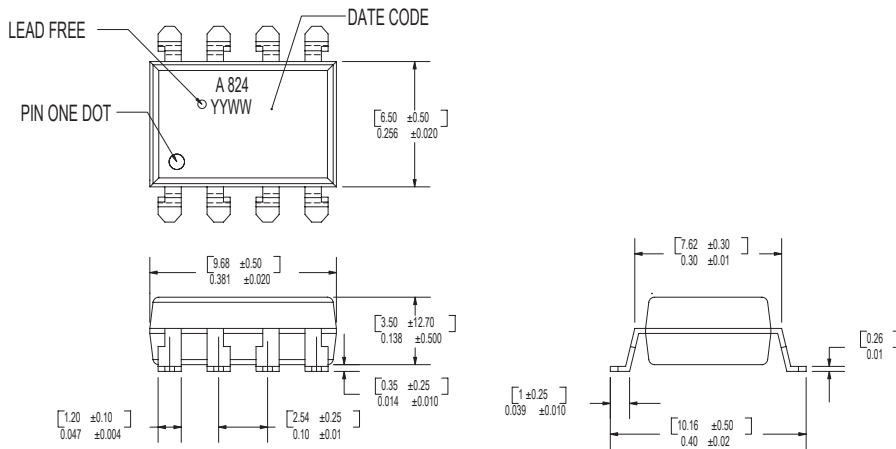
DIMENSIONS IN [MILLIMETERS] AND INCHES

ACPL-824 Package Outline – Option W00



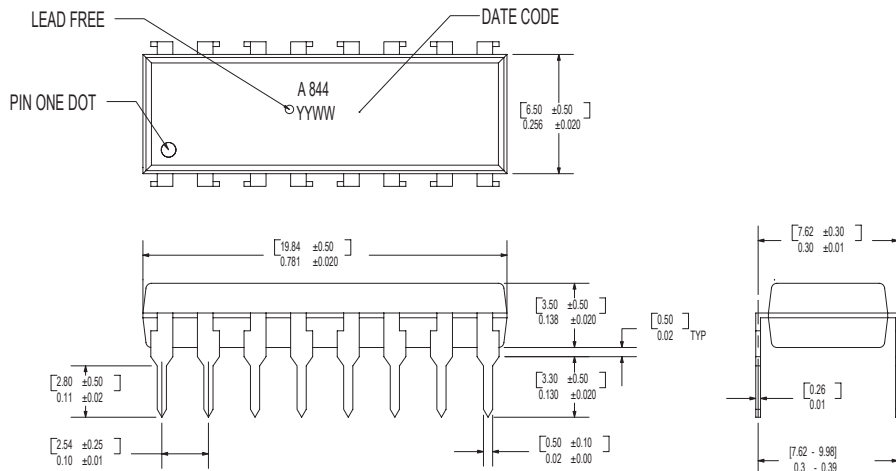
DIMENSIONS IN [MILLIMETERS] AND INCHES

ACPL-824 Package Outline – Option 300



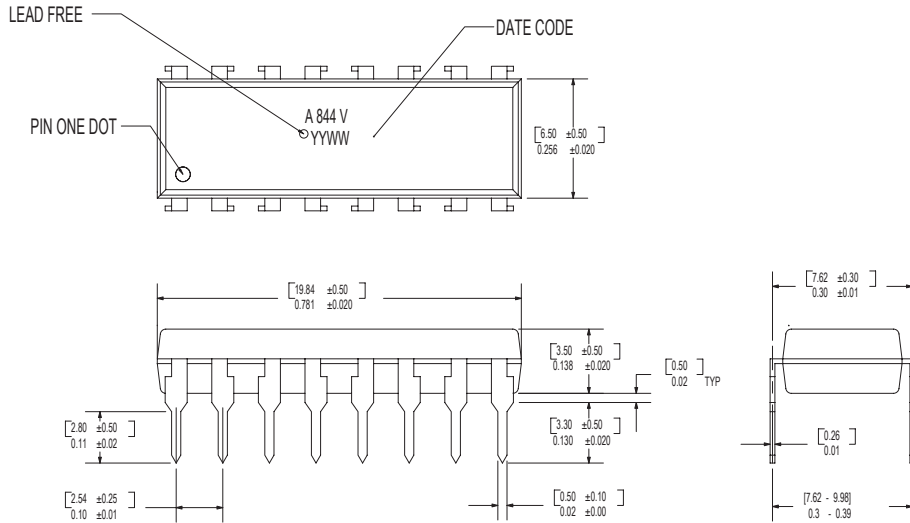
DIMENSIONS IN [MILLIMETERS] AND INCHES

ACPL-844 Package Outline



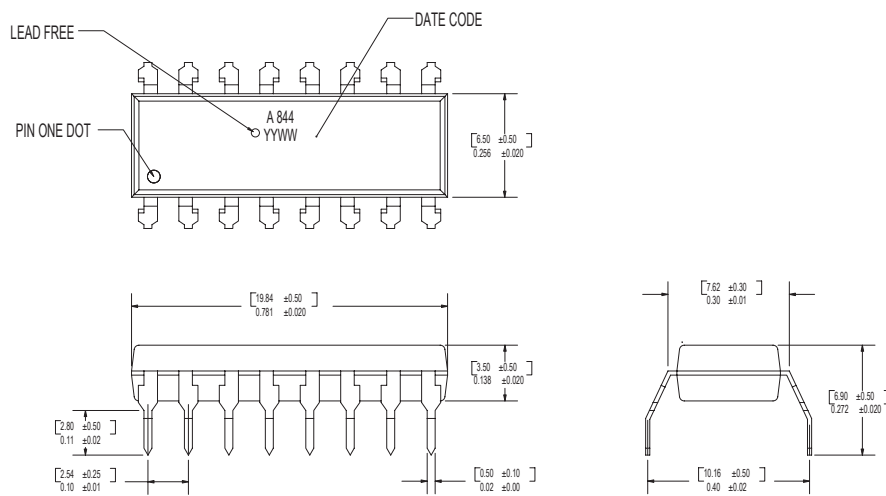
DIMENSIONS IN [MILLIMETERS] AND INCHES

ACPL-844 Package Outline - Option 060



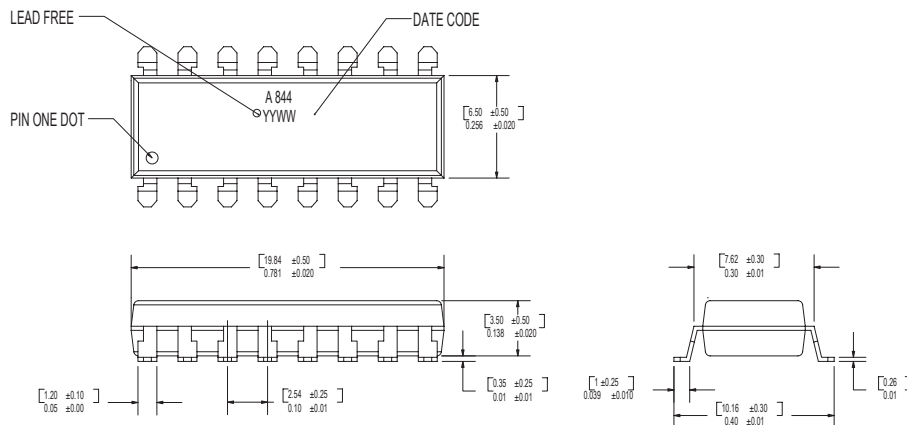
DIMENSIONS IN [MILLIMETERS] AND INCHES

ACPL-844 Package Outline - Option W00



DIMENSIONS IN [MILLIMETERS] AND INCHES

ACPL-844 Package Outline - Option 300

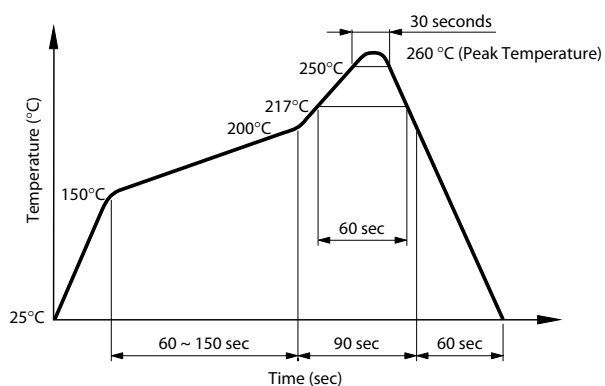


DIMENSIONS IN [MILLIMETERS] AND INCHES

Solder Reflow Temperature Profile

1. One-time soldering reflow is recommended within the condition of temperature and time profile shown at right.
2. When using another soldering method such as infrared ray lamp, the temperature may rise partially in the mold of the device. Keep the temperature on the package of the device within the condition of (1) above.

Note: Non-halide flux should be used



Absolute Maximum Ratings

| Parameter | Symbol | Min. | Max. | Units | Note |
|--|--------------|------|---|-----------|------|
| Storage Temperature | T_S | -55 | 125 | °C | |
| Operating Temperature | T_A | -30 | 100 | °C | |
| Average Forward Current | $I_{F(AVG)}$ | - | ±50 | mA | |
| Input Power Dissipation | P_I | - | 70 | mW | |
| Collector Current | I_C | - | 50 | mA | |
| Collector-Emitter Voltage | V_{CEO} | - | 70 | V | |
| Emitter-Collector Voltage | V_{ECO} | - | 6 | V | |
| Isolation Voltage (AC for 1min, R.H. 40~60%) | V_{ISO} | - | 5000 | V_{RMS} | |
| Collector Power Dissipation | P_C | - | 150 | mW | |
| Total Power Dissipation | P_{TOT} | - | 200 | mW | |
| Lead Solder Temperature | | | 260°C for 10 sec., 1.6 mm below seating plane | | |

Electrical Specifications (DC)

Over recommended operating conditions unless otherwise specified.

| Parameter | Symbol | Min. | Typ. | Max. | Units | Test Conditions | Note |
|--------------------------------------|---------------|--------------------|--------------------|------|---------------|---|---------------------------|
| Forward Voltage | V_F | - | 1.2 | 1.4 | V | $I_F = \pm 20\text{mA}$ | |
| Terminal Capacitance | C_t | | 50 | 250 | pF | $V = 0, f = 1\text{KHz}$ | |
| Collector Dark Current | I_{CEO} | | - | 100 | nA | $V_{CE} = 20\text{V}, I_F = 0\text{mA}$ | |
| Collector-Emitter Breakdown Voltage | $B_{V_{CEO}}$ | 70 | - | - | V | $I_C = 0.1\text{mA}, I_F = 0\text{mA}$ | |
| Emitter-Collector Breakdown Voltage | $B_{V_{ECO}}$ | 6 | - | - | V | $I_E = 10\ \mu\text{A}, I_F = 0\text{mA}$ | |
| Collector Current | I_C | 0.2 | - | 3 | mA | $I_F = \pm 1\text{mA}, V_{CE} = 5\text{V}$ | $CTR = (I_C/I_F) * 100\%$ |
| Current Transfer Ratio | CTR | 20 | - | 300 | % | | |
| Collector-Emitter Saturation Voltage | $V_{CE(sat)}$ | - | 0.1 | 0.2 | V | $I_F = \pm 20\text{mA}, I_C = 1\text{mA}$ | |
| Isolation Resistance | R_{ISO} | 5×10^{10} | 1×10^{11} | - | Ω | DC500V, R.H. 40~60% | |
| Floating Capacitance | C_F | - | 0.6 | 1 | pF | $V = 0, f = 1\text{MHz}$ | |
| Cut-off Frequency (-3dB) | F_C | 15 | 80 | - | KHz | $V_{CE} = 5\text{V}, I_C = 2\text{mA}, R_L = 100\Omega$ | See fig 13 |
| Response Time (Rise) | t_r | - | 4 | 18 | μs | $V_{CE} = 2\text{V}, I_C = 2\text{mA}, R_L = 100\Omega$ | See fig 12 |
| Response Time (Fall) | t_f | - | 3 | 18 | μs | | |

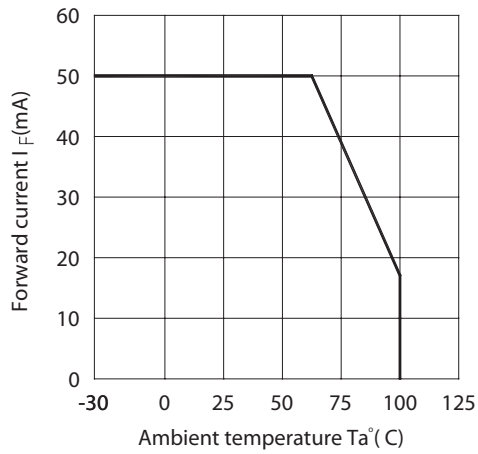


Figure 1. Forward Current vs. Ambient Temperature.

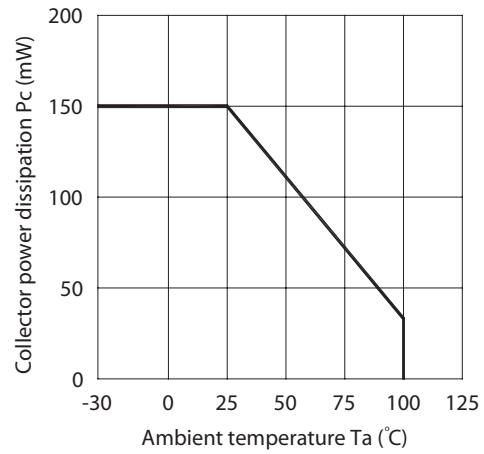


Figure 2. Collector Power Dissipation vs. Ambient Temperature

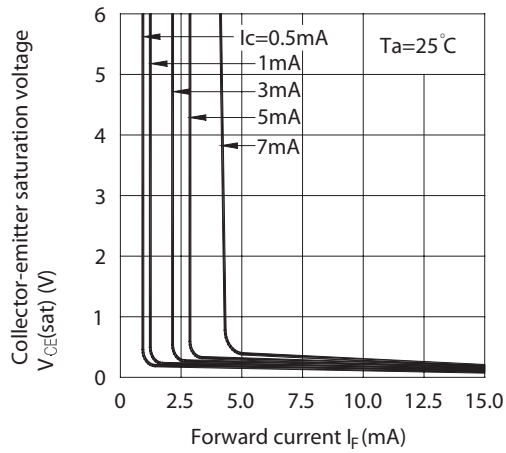


Figure 3. Collector-emitter Saturation Voltage vs. Forward Current

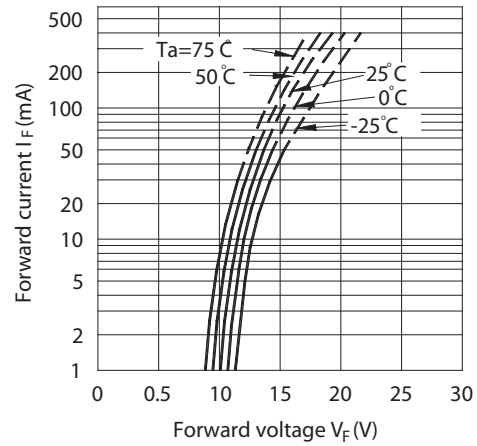


Figure 4. Forward Current vs. Forward Voltage

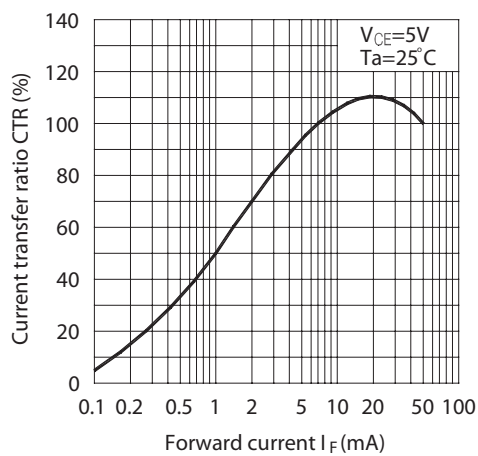


Figure 5. Current Transfer Ratio vs. Forward Current

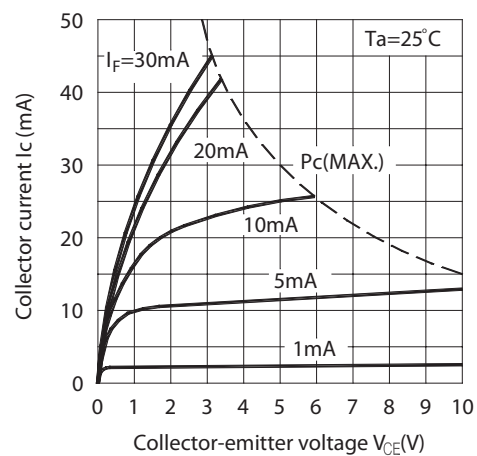


Figure 6. Collector Current vs. Collector-emitter Voltage.

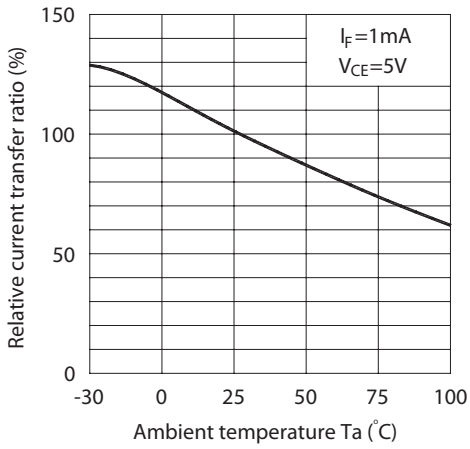


Figure 7. Relative Current Transfer Ratio vs. Ambient Temperature

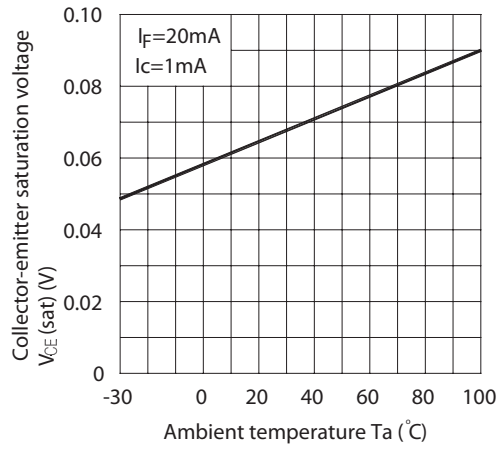


Figure 8. Collector-emitter Saturation Voltage vs. Ambient Temperature

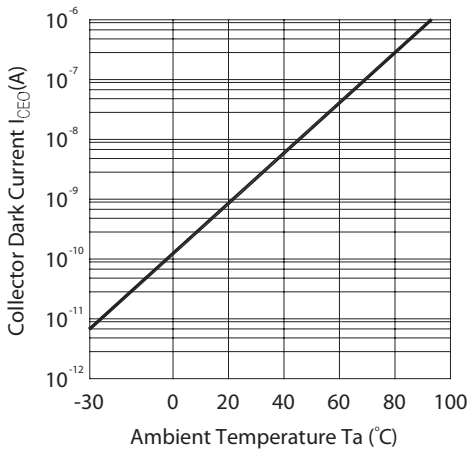


Figure 9. Collector Dark Current vs. Ambient Temperature

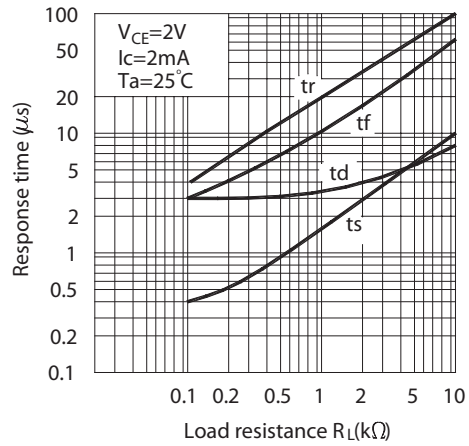


Figure 10. Response Time vs. Load Resistance

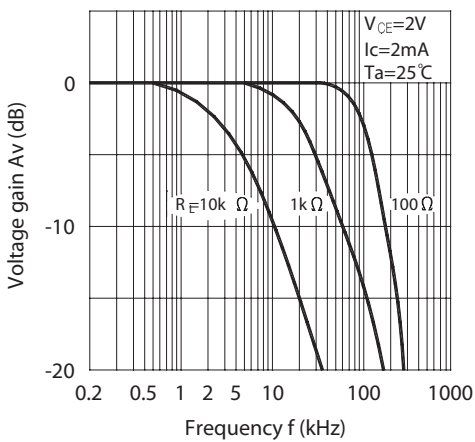


Figure 11. Frequency Response

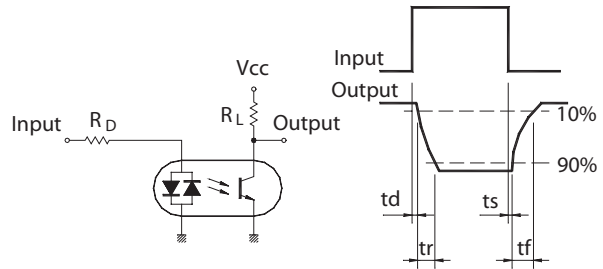


Figure 12. Test Circuit for Response Time

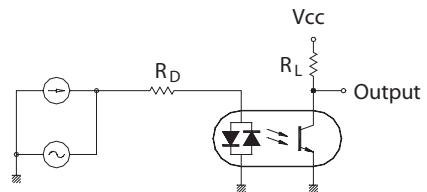


Figure 13. Test Circuit for Frequency Response

For product information and a complete list of distributors, please go to our web site: www.avagotech.com

Avago, Avago Technologies, and the A logo are trademarks of Avago Technologies Limited. in the United States and other countries.
Data subject to change. Copyright © 2006 Avago Technologies Limited. All rights reserved.
AV01-0475EN - May 22, 2007

