

OKI electronic components

OLD232-2

GaAlAs Infrared Light Emitting Diode

GENERAL DESCRIPTION

The OLD232-2 is a high-output GaAlAs infrared light emitting diode sealed with a glass lens in a highly reliable metal can on a TO-46 type stem. Its light emission wavelength peaks at 910 nm.

Because of its high reliability, the OLD232-2 can be the most suitable combination with Si photo-detectors.

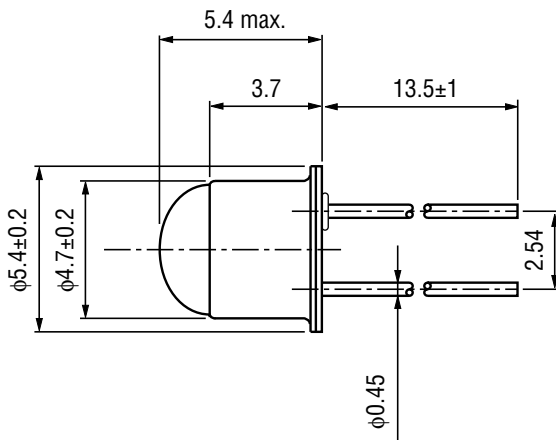
FEATURES

- Metal can package (with lens)
- Peak-emission wavelength : 910 nm
- Very high output power: 12 mW Typ. ($I_F=100$ mA)
- Highly directional output
- Compact and light-weighted
- Long life

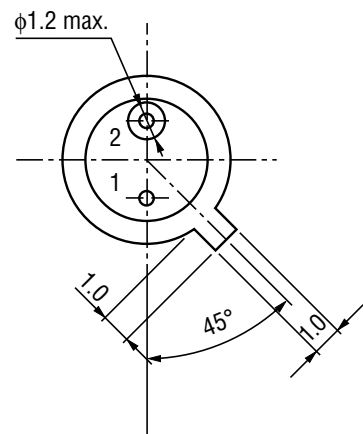
APPLICATIONS

- Light source for optical readers and control equipment

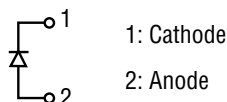
PIN CONFIGURATION



(Unit: mm)



• Pin Connection Diagram



ABSOLUTE MAXIMUM RATINGS

Parameter	Symbol	Test Condition	Rating	Unit
Forward Current	I_F	Ta=25°C	100	mA
Forward Current Derating Factor *1	—		1	mA/°C
Pulse Forward Current *2	I_{FRM}		1	A
Reverse Voltage	V_R		6	V
Power Dissipation	P_{tot}		200	mW
Operating Temperature	T_{opr}	—	-40 to +125	°C
Storage Temperature	T_{stg}	—	-55 to +125	°C
Lead Soldering Temperature *3	T_{slid}	—	260	°C

*1 $T_a \geq 25^\circ\text{C}$

*2 Pulse width $t_w=110 \mu\text{s}$, cycle $T=10,000 \mu\text{s}$

*3 Within 5 seconds, at least 2 mm from base of lead

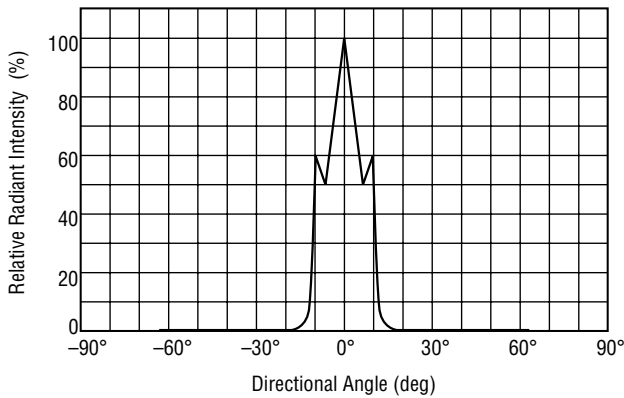
ELECTRICAL AND OPTICAL CHARACTERISTICS

(Ambient Temperature $T_a=25^\circ\text{C}$)

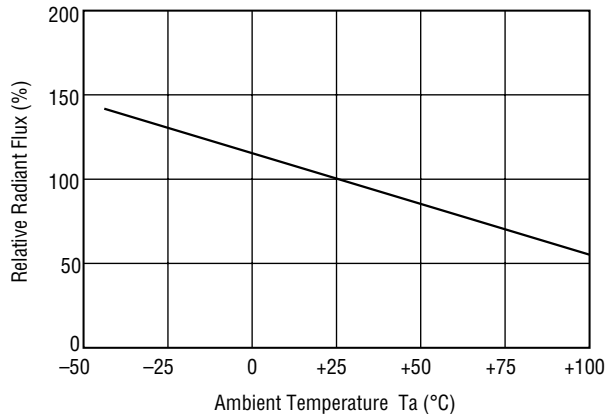
Parameter	Symbol	Test Condition	Min.	Typ.	Max.	Unit
Forward Voltage	V_F	$I_F=100 \text{ mA}$	—	1.55	2	V
Reverse Current	I_R	$V_R=6 \text{ V}$	—	—	10	μA
Radiant Flux	ϕ_e	$I_F=100 \text{ mA}$	8	12	—	mW
Peak-emission Wavelength	λ_p	$I_F=100 \text{ mA}$	—	910	—	nm
Spectral Bandwidth	$\Delta\lambda$	$I_F=100 \text{ mA}$	—	80	—	nm

TYPICAL CHARACTERISTICS

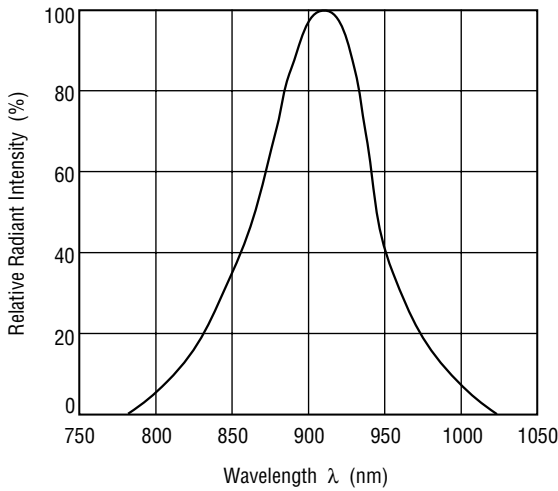
- **Directional Characteristic**



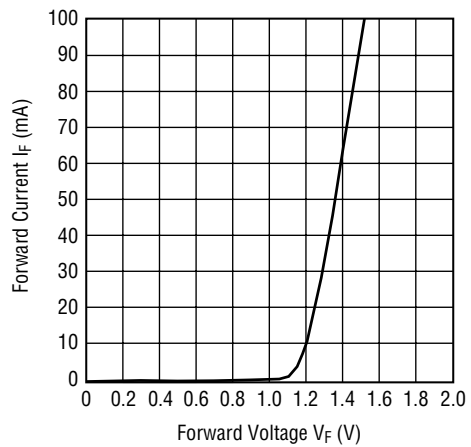
• Radiant Flux vs. Ambient Temperature



• Spectral Distribution ($T_a=25^\circ\text{C}$)



• DC Forward Current vs. Forward Voltage ($T_a=25^\circ\text{C}$)



• Maximum Pulse Forward Current Tolerance

