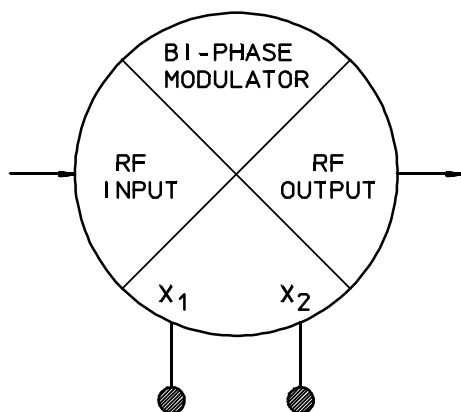


BPG-2B-505

BIPHASE MODULATOR

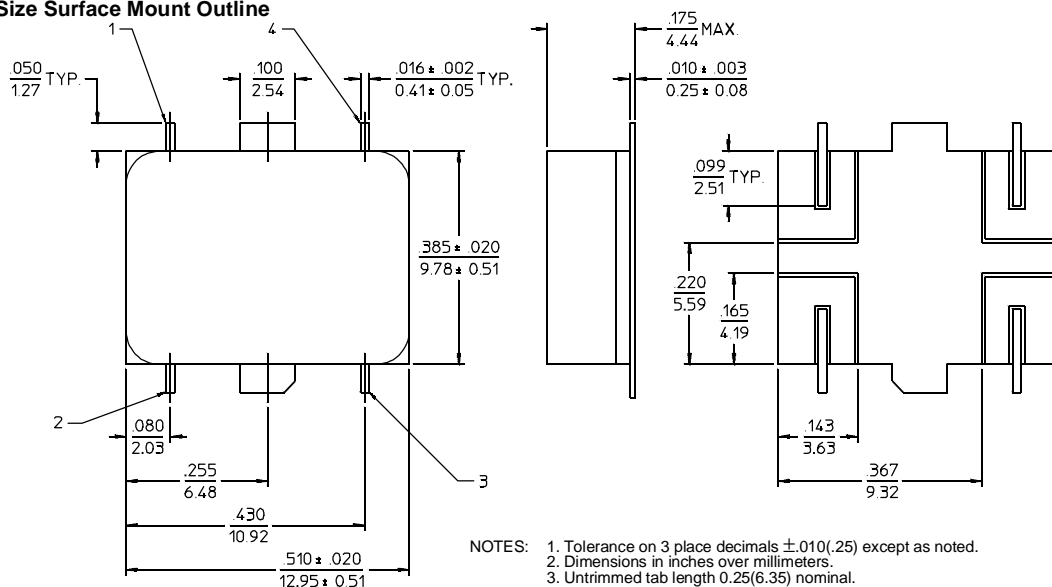
10 to 1000 MHz / ECL & TTL Compatible / Fast Switching / SMD



PRINCIPAL SPECIFICATIONS

Standard Model Number	Frequency Range, MHz	Insertion Loss, dB, Max.		Amplitude Balance, dB, Max.		Phase Balance		Carrier Suppression Typ.
		Max.	Typ.	Max.	Typ.	Max.	Typ.	
BPG-2B-505	10 – 500 500 - 1000	3	2	0.5	0.3	± 3°	± 1°	– 35 dBc
		4	3	0.75	0.5	± 4°	± 2°	– 30 dBc

B-Size Surface Mount Outline



NOTES: 1. Tolerance on 3 place decimals ±.010(.25) except as noted.
2. Dimensions in inches over millimeters.
3. Untrimmed tab length 0.25(6.35) nominal.
4. All unmarked tabs are case ground.

Tab	Function
1	X1
2	RF input
3	RF Output
4	X2

General Notes:

- The BPG-2B-505 Biphase Modulator covers the frequency range of 10 to 1000 MHz and is ideal for general applications. Other models available in surface mount packages are electrically similar to the standard flatpack units but have extended frequency range up to 3.6 GHz with proportionately fast risetimes.
- Customized versions are available for special frequency bands matched to your special applications. Most units are available in a variety of alternative packages such as the TO-8, flatpack or connectorized packages. TTL or ECL drivers can be provided in the larger packages.
- Merrimac Biphase Modulators cover a variety of frequency bands while providing wide bandwidths suitable for most applications.
- All units comply with applicable sections MIL-M-28837 and may be supplied screened for compliance with additional specifications for military and space applications requiring the highest reliability.

22Feb96

GENERAL SPECIFICATIONS

Impedance:	50 Ω nom.
RF Input Level:	– 3 dBm max.
VSWR:	2.0:1 max.
Switching Speed:	2 ns typ.
Data Levels:	Logic 1: +15 mA Logic 0: – 15 mA
Weight, nominal:	0.1 oz (2.8 g)
Operating Temp:	– 55° to +85°C

For further information contact **MERRIMAC / 41 Fairfield Pl., West Caldwell, NJ, 07006 / 973-575-1300 / FAX 973-575-0531**