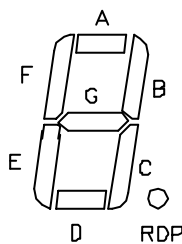
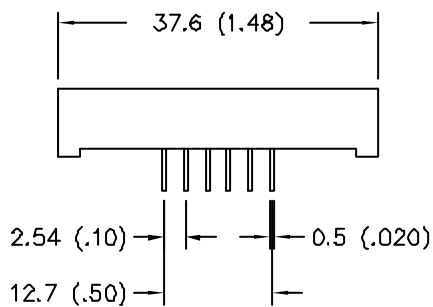
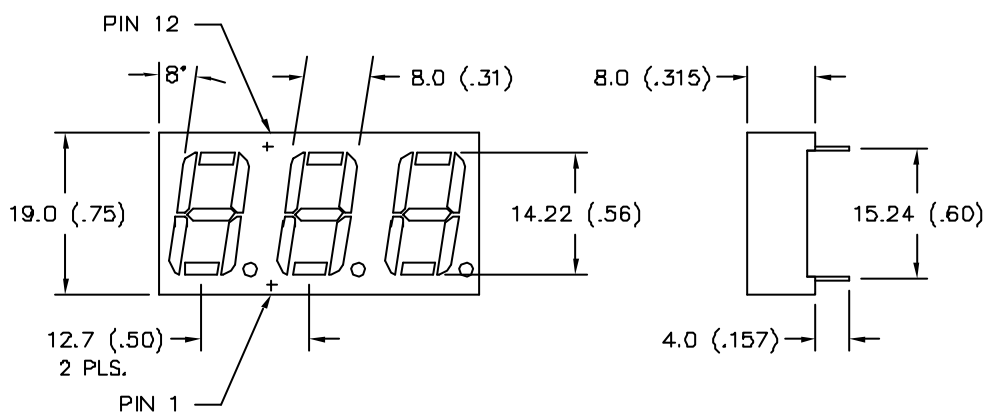


DATE	REVISIONS	REV

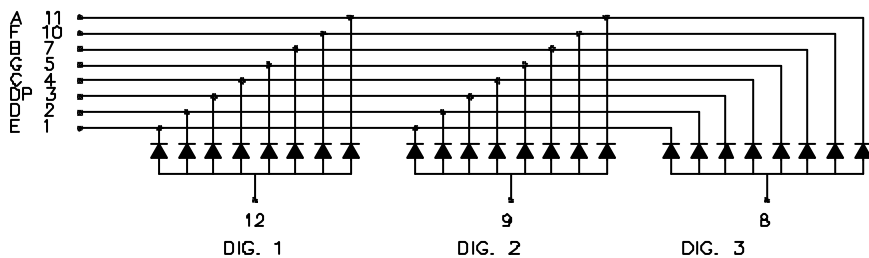


ELECTRO-OPTICAL CHARACTERISTICS

PARAMETER	MIN	TYP
PEAK WAVELENGTH		635 ( )
FORWARD VOLTAGE		2.0
REVERSE VOLTAGE	5.0	
AXIAL INTENSITY		140
EMITTED COLOR :	RED	
EPOXY SEGMENT:	WHITE	
FONT COLOR:	GRAY	

LIMITS OF SAFE OPERATION

PARAMETER
PEAK FORWARD CURRENT*
STEADY CURRENT
POWER DISSIPATION
DERATE FROM 25°C
OPERATING, STORAGE TEMP.
LEAD SOLDERING TEMP.
2.0mm FROM BODY
*t<10uS



COMMON ANODE NOTE: 6 (NP)



CONFIDENTIAL  
 THE INFORMATION CONTAINED IN THIS DOCUMENT  
 EXCEPT AS SPECIFICALLY AUTHORIZED IN WRITING  
 THIS DOCUMENT SHALL KEEP ALL INFORMATION OF  
 SAME IN WHOLE OR IN PART FROM DISCLOSURE

DATE: 4-9-96	DWN:
SCALE: N/A	

TRIPLE DIGIT SEV  
 RED, CO