



T7504 and T5504 Quad PCM Codecs with Filters

Features

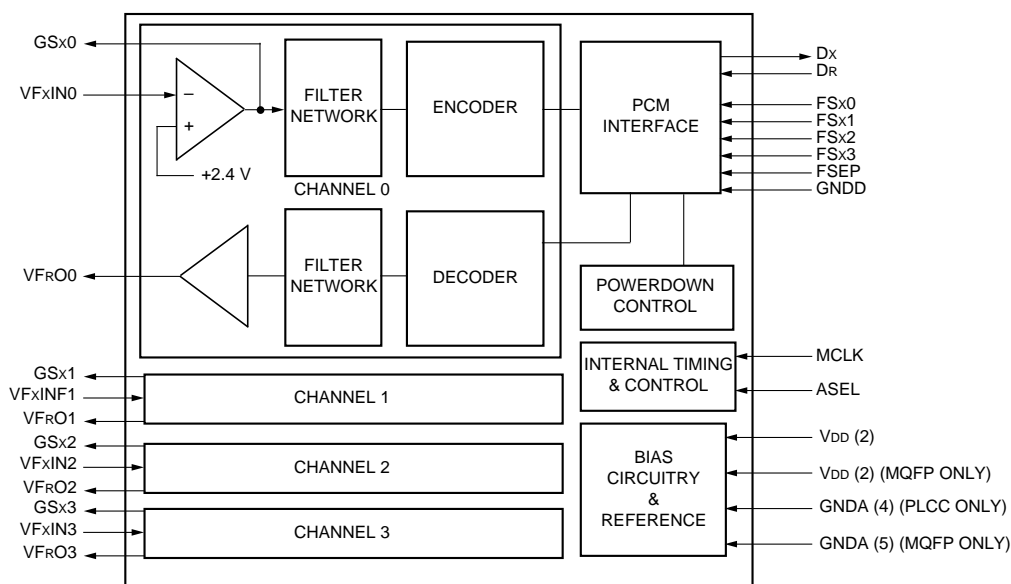
- 5 V only
- Low-power, latch-up-free CMOS technology
 - 37 mW/channel typical operating power dissipation
 - 1 mW/channel typical powerdown dissipation
- Automatic master clock frequency selection
 - 2.048 MHz or 4.096 MHz
- On-chip sample and hold, autozero, and precision voltage reference
- Differential architecture for high noise immunity and power supply rejection
- Flexible time-slotted PCM interface
 - 2.048 MHz or 4.096 MHz data rate
- Meets or exceeds ITU-T G.711—G.714 requirements and VF characteristics of D3/D4 (as per Lucent Technologies PUB43801)

- Operating temperature range: -40°C to $+85^{\circ}\text{C}$
- μ -law/A-law companding selectable

Description

The T7504 and T5504 devices are single-chip, four-channel μ -law/A-law PCM codecs with filters. These integrated circuits provide analog-to-digital and digital-to-analog conversion. They provide the transmit and receive filtering necessary to interface a voice telephone circuit to a time-division multiplexed system. These devices are available in 28-pin PLCCs. The T7504 is also available in a 44-pin MQFP.

The T5504 differs from the T7504 in its timing mode. The T5504 operates in the nondelay timing mode (digital data valid when frame sync goes high), and the T7504 operates in the delayed timing mode (digital data is valid one clock cycle after frame sync goes high) (see Figures 6—9).



5-3579.d(C)

Figure 1. Block Diagram For 28-Pin DIP and 28-Pin PLCC

Functional Description

Four channels of PCM data input and output are passed through only two ports, DX and DR, so some type of time-slot assignment is necessary. The scheme used here is to utilize timing modes of 32 or 64 time slots corresponding to master clock frequencies of either 2.048 MHz or 4.096 MHz, respectively. Each device has four transmit frame sync (FSx) inputs, one for each channel. During a single 125 μ s frame, each transmit frame sync input is supplied a single pulse. The timing of the pulse indicates the beginning of the time slot during which the data for that channel is clocked out of the device. During a frame, transmit frame sync pulses must be separated from each other by one or more time slots. A channel is placed in a standby (low-power) mode if its FSx input has been low for 500 μ s.

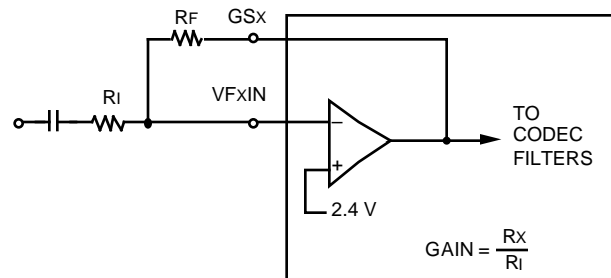
There is a single frame sync separation input (FSEP). The number of negative clock edges minus one that occurs while FSEP is high is the delay (in clock periods) that is placed between the rising edge of a transmit frame sign bit and the falling edge used by the receiver to sample the sign bit. There must always be a pulse on the FSEP input since this input provides the 8 kHz signal required to maintain internal timing. If the FSEP pulse is one clock period or less, the device makes the transmit edges and receive sampling edges one half clock period apart. The entire device is placed in a powerdown mode if FSEP remains low for 500 μ s.

Time slot zero is defined as starting on the first rising MCLK edge after FSEP = 1 is detected by a negative MCLK edge. In the T7504, MCLK negative-going edges that detect the start of FSEP and FSxN must be integer multiples of eight MCLK periods apart (zero multiples are allowed). Since FSEP is assumed to define time slot 0, the number of multiples separating FSxN and FSEP is the time-slot number. In the T5504, FSxN for time slot 0 nominally starts on the MCLK positive edge following the negative edge which detects FSEP.

The frequency of the master clock must be either 2.048 MHz or 4.096 MHz. Internal circuitry determines the master clock frequency during the powerup reset interval.

Powerdown is not guaranteed if MCLK is lost unless the device is already in the powerdown mode due to FSEP low for at least 500 μ s.

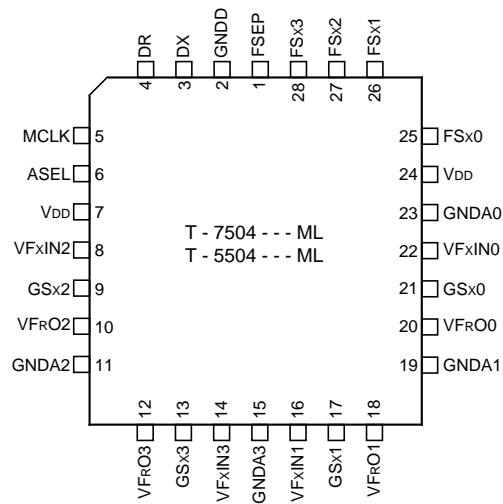
The analog input section in Figure 2 includes an on-chip op amp that is used in conjunction with external, user-supplied resistors to vary encoder passband gain. The feedback resistance (R_F) should range from 10 k Ω to 200 k Ω and capacitance from GSx to ground should be kept to less than 50 pF. The input signal at VFXIN should be ac coupled. For best performance, the maximum gain of this op amp should be limited to 20 dB or less.



5-3786

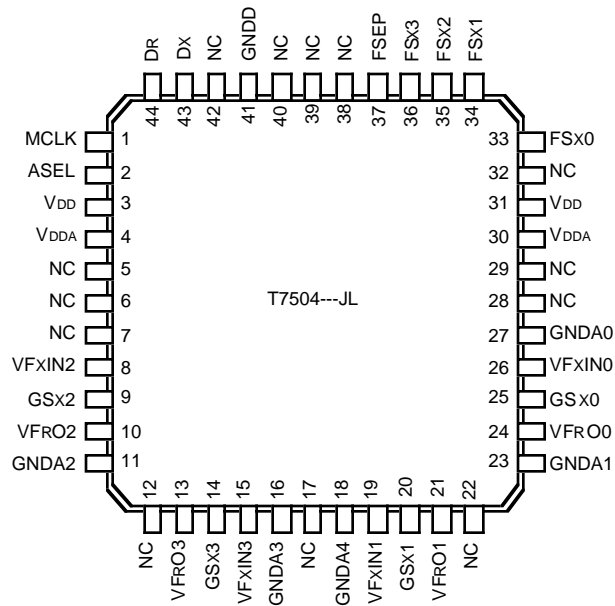
Figure 2. Typical Analog Input Section

Pin Information



5-3580.b

Figure 3. 28-Pin PLCC Pin Diagram



5-4770

Figure 4. 44-Pin MQFP Pin Diagram

Pin Information (continued)

Table 1. Pin Descriptions

Symbol	Pin		Type*	Name/Function
	PLCC	MQFP		
VFXIN3 VFXIN2 VFXIN1 VFXIN0	14 8 16 22	15 8 19 26	I	Voice Frequency Transmitter Input. Analog inverting input to the uncommitted operational amplifier at the transmit filter input. Connect the signal to be digitized to this pin through a resistor R _I (see Figure 2).
GSX3 GSX2 GSX1 GSX0	13 9 17 21	14 9 20 25	O	Gain Set for Transmitter. Output of the transmit uncommitted operational amplifier. The pin is the input to the transmit differential filters. Connect the pin to its corresponding VFXIN through a resistor R _F (see Figure 2).
VFRO3 VFRO2 VFRO1 VFRO0	12 10 18 20	13 10 21 24	O	Voice Frequency Receiver Output. This pin can drive 2000 Ω (or greater) loads.
VDD [1:0] VDDA [1:0]	7, 24 —	3, 31 4, 30	—	5 V Digital and Analog Power Supplies. All pins must be connected on the circuit board. Each pin should be bypassed to ground with at least 0.1 μF of capacitance as close to the device as possible. For the DIP and PLCC packages, VDD serves both analog and digital internal circuits.
GND A4 GND A3 GND A2 GND A1 GND A0	— 15 11 19 23	18 16 11 23 27	—	Analog Grounds. All ground pins must be connected on the circuit board.
DR	4	44	I	Receive PCM Data Input. The data on this pin is shifted into the device on the falling edges of MCLK. Data is only entered for valid time slots as defined by the relationship of the pulses on the FSx inputs and the pulse on the FSEP input.
DX	3	43	O	Transmit PCM Data Output. This pin remains in the high-impedance state except during active transmit time slots. An active transmit time slot is defined as one in which a pulse is present on one of the FSx inputs. Data is shifted out on the rising edge of MCLK.
MCLK	5	1	I	Master Clock Input. The frequency must be 2.048 MHz or 4.096 MHz. This clock serves as the bit clock for all PCM data transfer. A 40% to 60% duty cycle is required.
GNDD	2	41	—	Digital Ground. Ground connection for the digital circuitry. All ground pins must be connected on the circuit board.
FSx3 FSx2 FSx1 FSx0	28 27 26 25	36 35 34 33	I ^d	Transmit Frame Sync. This signal is an edge trigger and must be high for a minimum of one MCLK cycle. This signal must be derived from MCLK. The division ratio is 1:256 or 1:512 (FSx:MCLK). Each FSx input must have a pulse present at the start of the desired active output time slot. Pulses on the various FSx inputs must be separated by one or more integer multiples of time slots. An internal pull-down device is included on each FSx.
ASEL	6	2	I ^d	A-Law/μ-Law Select. A logic low selects μ-law coding. A logic high selects A-law coding. A pull-down device is included.
FSEP	1	37	I	Frame Sync Separation. The pulse width of this 8 kHz signal defines the timing offset between the transmit and receive frames. Internally generated receive frame sync pulses are delayed from the corresponding transmit frame sync pulse rising edge by one less than the FSEP pulse width in negative MCLK edges. If the pulse width is one MCLK period or less, the transmit and receive frame syncs are made coincident. Loss of FSEP causes the device to powerdown. If the master clock frequency is 2.048 MHz or 4.096 MHz, delays of 255 or 511 clock pulses are not allowed, respectively. Timing relationships between FSEP, FSxN, and time slot 0 are given in Figures 6—9.

* I^d Indicates a pull-down device is included on this lead.

Absolute Maximum Ratings

Stresses in excess of the absolute maximum ratings can cause permanent damage to the device. These are absolute stress ratings only. Functional operation of the device is not implied at these or any other conditions in excess of those given in the operational sections of this data sheet. Exposure to absolute maximum ratings for extended periods can adversely affect device reliability.

Parameter	Symbol	Min	Max	Unit
Storage Temperature Range	T _{stg}	-55	150	°C
Power Supply Voltage	V _{DD}	—	6.5	V
Voltage on Any Pin with Respect to Ground	—	-0.5	0.5 + V _{DD}	V
Maximum Power Dissipation (package limit)	P _D	—	600	mW

Handling Precautions

Although protection circuitry has been designed into this device, proper precautions should be taken to avoid exposure to electrostatic discharge (ESD) during handling and mounting. Lucent Technologies Microelectronics Group employs a human-body model (HBM) and a charged-device model (CDM) for ESD susceptibility testing and protection design evaluation. ESD voltage thresholds are dependent on the circuit parameters used to define the model. No industry-wide standard has been adopted for CDM. However, a standard HBM (resistance = 1500 Ω, capacitance = 100 pF) is widely used and, therefore, can be used for comparison purposes. The HBM ESD threshold presented here was obtained by using these circuit parameters:

HBM ESD Threshold Voltage	
Device	Rating
T7504	>2000 V
T5504	>2000 V

Electrical Characteristics

Specifications apply for T_A = -40 °C to +85 °C, V_{DD} = 5 V ± 5%, MCLK = either 2.048 MHz or 4.096 MHz, and GND = 0 V, unless otherwise noted.

dc Characteristics

Table 2. Digital Interface

Parameter	Symbol	Test Conditions	Min	Typ	Max	Unit
Input Low Voltage	V _{IL}	All digital inputs	—	—	0.8	V
Input High Voltage	V _{IH}	All digital inputs	2.0	—	—	V
Output Low Voltage	V _{OL}	D _X , I _L = 3.2 mA	—	—	0.4	V
Output High Voltage	V _{OH}	D _X , I _L = -3.2 mA	2.4	—	—	V
		D _X , I _L = -320 μA	3.5	—	—	V
Input Current, Pins without Pull-down	I _I	Any digital input GND < V _{IN} < V _{DD}	-10	—	10	μA
Input Current, Pins with Pull-down	I _I	Any digital input GND < V _{IN} < V _{DD}	—	—	150	μA
Output Current in High-impedance State	I _{OZ}	D _X	-30	—	30	μA
Input Capacitance	C _I	—	—	—	5	pF

Electrical Characteristics (continued)**Table 3. Power Dissipation**

Power measurements are made at MCLK = 4.096 MHz, outputs unloaded.

Parameter	Symbol	Test Conditions	Min	Typ	Max	Unit
Powerdown Current	IDD0	MCLK present, FSx[3:0] = 0.4 V, FSEP = 0.4 V	—	0.2	1	mA
Powerup Current	IDD1	MCLK, FSx[3:0], FSEP present	—	30	40	mA
Standby Current	IDDS	MCLK, FSEP present; FSx[3:0] = 0.4 V	—	6	10	mA

Transmission Characteristics**Table 4. Analog Interface**

Parameter	Symbol	Test Conditions	Min	Typ	Max	Unit
Input Resistance, VFXIN	RVFXI	0.25 V < VFXI < 4.75 V	1.0	—	—	MΩ
Input Leakage Current, VFXIN	IBVFXI	0.25 V < VFXI < 4.75 V	—	—	2.4	μA
dc Open-loop Voltage Gain, GSx	AVOL	—	5000	—	—	—
Open-loop Unity Gain Bandwidth, GSx	fo	—	1	3	—	MHz
Load Capacitance, GSx	CLX1	—	—	—	50	pF
Load Resistance, GSx	RLX1	—	10	—	—	kΩ
Input Voltage, VFXIN	VIX	Relative to ground	2.25	2.35	2.5	V
Load Resistance, VFRO	RLVFRO	—	2000	—	—	Ω
Load Capacitance, VFRO	CLVFRO	—	—	—	100	pF
Output Resistance, VFRO	ROVFRO	0 dBm0, 1020 Hz PCM code applied to DR	—	—	20	Ω
		Partial powerdown FSx = 0 for channel under test	3000	—	10000	Ω
Output Voltage, VFRO	VOR	Alternating ± zero μ-law PCM code applied to DR	2.25	2.35	2.5	V
Output Voltage, VFRO, Standby	VORPD	FSx[3:0] = 0.4 V, FSEP = active, no load	2.15	2.4	2.65	V
Output Leakage Current, VFRO, Powerdown	IOVFRO	FSEP = 0.4 V	−30	—	30	μA
Output Voltage Swing, VFRO	VSWR	RL = 2000 Ω	3.2	—	—	Vp-p

Transmission Characteristics (continued)

ac Transmission Characteristics

Unless otherwise noted, the analog input is a 0 dBm0, 1020 Hz sine wave; the input amplifier is set for unity gain. The digital input is a PCM bit stream equivalent to that obtained by passing a 0 dBm0, 1020 Hz sine wave through an ideal encoder. The output level is $\sin(x)/x$ -corrected.

Table 5. Absolute Gain

Parameter	Symbol	Test Conditions	Min	Typ	Max	Unit
Encoder Milliwatt Response (transmit gain tolerance)	EmW	Signal input of 0.775 Vrms, μ -law or A-law	-0.25	—	0.25	dBm0
Decoder Milliwatt Response (receive gain tolerance)	DmW	Measured relative to 0.775 Vrms μ -law or A-law, PCM input of 0 dBm0 1020 Hz RL = 10 k Ω	-0.25	—	0.25	dBm0

Table 6. Gain Tracking

Parameter	Symbol	Test Conditions	Min	Typ	Max	Unit
Transmit Gain Tracking Error Sinusoidal Input μ -Law/A-Law	GTx	+3 dBm0 to -37 dBm0	-0.25	—	0.25	dB
		-37 dBm0 to -50 dBm0	-0.50	—	0.50	dB
Receive Gain Tracking Error Sinusoidal Input μ -Law/A-Law	GTR	+3 dBm0 to -37 dBm0	-0.25	—	0.25	dB
		-37 dBm0 to -50 dBm0	-0.50	—	0.50	dB

Table 7. Distortion

Parameter	Symbol	Test Conditions	Min	Typ	Max	Unit
Transmit Signal to Distortion	SDX	μ -law 3 dBm0 \leq VFxl \leq -30 dBm0	36	—	—	dB
		A-law 3 dBm0 \leq VFxl \leq -30 dBm0	35	—	—	dB
		μ -law -30 dBm0 \leq VFxl \leq -40 dBm0	30	—	—	dB
		A-law -30 dBm0 \leq VFxl \leq -40 dBm0	29	—	—	dB
		μ -law -40 dBm0 \leq VFxl \leq -45 dBm0	25	—	—	dB
		A-law -40 dBm0 \leq VFxl \leq -45 dBm0	25	—	—	dB
Receive Signal to Distortion	SDR	μ -law 3 dBm0 \leq VFRO \leq -30 dBm0	36	—	—	dB
		A-law 3 dBm0 \leq VFRO \leq -30 dBm0	35	—	—	dB
		μ -law -30 dBm0 \leq VFRO \leq -40 dBm0	30	—	—	dB
		A-law -30 dBm0 \leq VFRO \leq -40 dBm0	29	—	—	dB
		μ -law -40 dBm0 \leq VFRO \leq -45 dBm0	25	—	—	dB
		A-law -40 dBm0 \leq VFRO \leq -45 dBm0	25	—	—	dB
Single Frequency Distortion, Transmit	SFDx	200 Hz—3400 Hz, 0 dBm0 input, output any other single frequency \leq 3400 Hz	—	—	-38	dBm0
Single Frequency Distortion, Receive	SFDR	200 Hz—3400 Hz, 0 dBm0 input, output any other single frequency \leq 3400 Hz	—	—	-40	dBm0
Intermodulation Distortion	IMD	Transmit or receive, two frequencies in the range (300 Hz—3400 Hz) at -6 dBm0	—	—	-42	dBm0

Transmission Characteristics (continued)

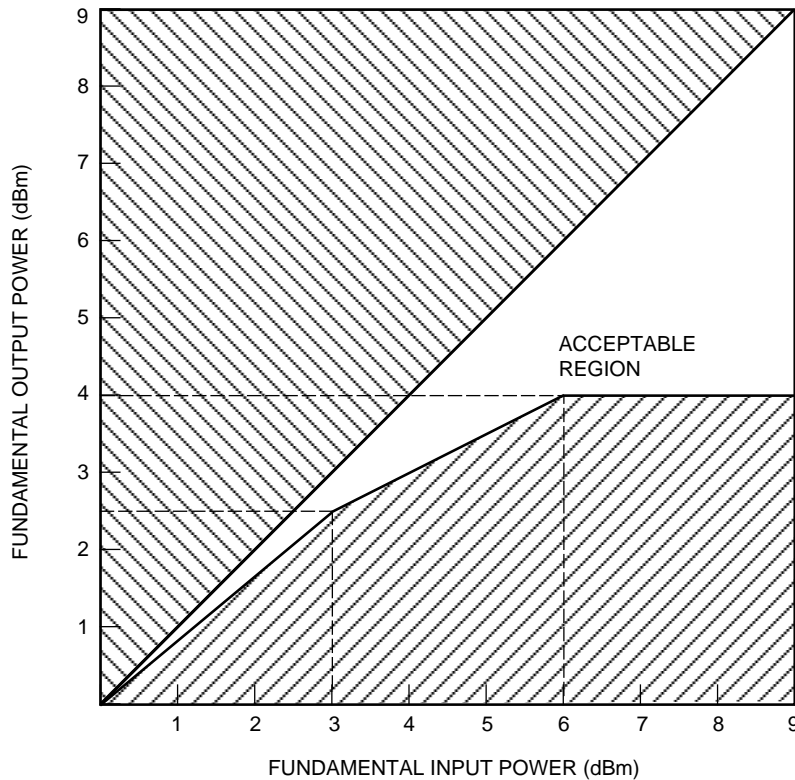
Table 8. Envelope Delay Distortion

Parameter	Symbol	Test Conditions	Min	Typ	Max	Unit
Tx Delay, Absolute*	DXA	f = 1600 Hz	—	—	175 to 425	μs
Tx Delay, Relative to 1600 Hz	DXR	f = 500 Hz—600 Hz	—	—	220	μs
		f = 600 Hz—800 Hz	—	—	145	μs
		f = 800 Hz—1000 Hz	—	—	75	μs
		f = 1000 Hz—1600 Hz	—	—	40	μs
		f = 1600 Hz—2600 Hz	—	—	75	μs
		f = 2600 Hz—2800 Hz	—	—	105	μs
f = 2800 Hz—3000 Hz	—	—	155	μs		
Rx Delay, Absolute*	DRA	f = 1600 Hz	—	—	150 to 405	μs
Rx Delay, Relative to 1600 Hz	DRR	f = 500 Hz—1000 Hz	-40	—	—	μs
		f = 1000 Hz—1600 Hz	-30	—	—	μs
		f = 1600 Hz—2600 Hz	—	—	90	μs
		f = 2600 Hz—2800 Hz	—	—	125	μs
		f = 2800 Hz—3000 Hz	—	—	175	μs
Round Trip Delay, Absolute*	DRTA	Any time slot/channel to any time slot/channel f = 1600 Hz	—	—	325 to 650	μs

* Varies as a function of time slots chosen.

Overload Compression

Figure 5 shows the region of operation for encoder signal levels above the reference input power (0 dBm0).



5-3586

Figure 5. Overload Compression

Transmission Characteristics (continued)

Table 9. Noise

Parameter	Symbol	Test Conditions	Min	Typ	Max	Unit
Transmit Noise μ -Law	NXC	—	—	—	18	dBrnC0
		Input amplifier gain = 20 dB	—	—	19	dBrnC0
Transmit Noise A-Law	NXP	—	—	—	-68	dBm0p
Receive Noise μ -Law	NRC	PCM code is alternating positive and negative zero	—	—	13	dBrnC0
Receive Noise A-Law	NRP	PCM code is A-law positive one	—	—	-75	dBm0p
Noise, Single Frequency $f = 0$ kHz—100 kHz	NRS	VFXIN = 0 Vrms, measurement at VFRO, DR = DX	—	—	-53	dBm0
Power Supply Rejection Transmit	PSRX	VDD = 5.0 Vdc + 100 mVrms: $f = 0$ kHz—4 kHz $f = 4$ kHz—50 kHz	36	—	—	dB
			30	—	—	
Power Supply Rejection Receive	PSRX	PCM code is positive one LSB VDD = 5.0 Vdc + 100 mVrms: $f = 0$ kHz—4 kHz $f = 4$ kHz—25 kHz $f = 25$ kHz—50 kHz	36	—	—	dB
			40	—	—	dB
			30	—	—	dB
Spurious Out-of-Band Signals at VFRO Relative to Input	SOS	0 dBm0, 300 Hz—3400 Hz input PCM code applied: 4600 Hz—7600 Hz 7600 Hz—8400 Hz 8400 Hz—50 kHz	—	—	-30	dB
			—	—	-40	dB
			—	—	-30	dB

Table 10. Receive Gain Relative to Gain at 1.02 kHz

Frequency (Hz)	Min	Typ	Max	Unit
Below 3000	-0.150	± 0.04	0.150	dB
3140	-0.570	± 0.04	0.150	dB
3380	-0.885	-0.58	0.010	dB
3860	—	-10.7	-9.4	dB
4600 and above	—	—	-28	dB

Table 11. Transmit Gain Relative to Gain at 1.02 kHz

Frequency (Hz)	Min	Typ	Max	Unit
16.67	—	-50	-30	dB
40	—	-34	-26	dB
50	—	-36	-30	dB
60	—	-50	-30	dB
200	-1.8	-0.5	0	dB
300 to 3000	-0.150	± 0.04	0.150	dB
3140	-0.570	± 0.04	0.150	dB
3380	-0.885	-0.58	0.010	dB
3860	—	-10.7	-9.4	dB
4600 and above	—	—	-32	dB

Transmission Characteristics (continued)**Table 12. Interchannel Crosstalk (Between Channels) $R_F = \leq 200 \text{ k}\Omega$** (See note below.)

Parameter	Symbol	Test Conditions	Min	Typ	Max	Unit
Transmit to Receive Crosstalk 0 dBm0 Transmit Levels	CTXX-RY	$f = 300 \text{ Hz} - 3400 \text{ Hz}$ idle PCM code for channel under test; 0 dBm0 into any other single channel VFxIN	—	-95	-75	dB
Receive to Transmit Crosstalk 0 dBm0 Receive Levels	CTRX-RY	$f = 300 \text{ Hz} - 3400 \text{ Hz}$ VFxIN = 0 Vrms for channel under test; 0 dBm0 code level on any other single channel DR	—	-92	-75	dB
Transmit to Transmit Crosstalk 0 dBm0 Transmit Levels	CTXX-RY	$f = 300 \text{ Hz} - 3400 \text{ Hz}$ 0 dBm0 applied to any single channel VFxIN except channel under test, which has VFxIN = 0 Vrms	—	-90	-75	dB
Receive to Receive Crosstalk 0 dBm0 Receive Levels	CTRX-RY	$f = 300 \text{ Hz} - 3400 \text{ Hz}$ 0 dBm0 code level on any single channel DR except channel under test, which has idle code applied	—	-95	-75	dB

Table 13. Intrachannel Crosstalk (Within Channels) $R_F = \leq 200 \text{ k}\Omega$ (See Note below.)

Parameter	Symbol	Test Conditions	Min	Typ	Max	Unit
Transmit to Receive Crosstalk 0 dBm0 Transmit Levels	CTXX-RX	$f = 300 \text{ Hz} - 3400 \text{ Hz}$ idle PCM code for channel under test; 0 dBm0 into VFxIN	—	-95	-65	dB
Receive to Transmit Crosstalk 0 dBm0 Receive Levels	CTRX-RX	$f = 300 \text{ Hz} - 3400 \text{ Hz}$ VFxIN = 0 Vrms for channel under test; 0 dBm0 code level on DR	—	-73	-65	dB

Note: For Tables 11 and 12, crosstalk into the transmit channels (VFxIN) can be significantly affected by parasitic capacitive feeds from GSx and VFRO outputs. PWB layouts should be arranged to keep these parasitics low. The resistor value of R_F (from GSx to VFxIN) should also be kept as low as possible (while maintaining the load on GSx above 10 k Ω per Table 4) to minimize crosstalk.

Timing Characteristics

Table 14. Clock Section (See Figures 6, 7, 8, and 9.)

Symbol	Parameter	Test Conditions	Min	Typ	Max	Unit
tMCHMCL1	Clock Pulse Width	—	97	—	—	ns
tCDC	Duty Cycle, MC	—	40	—	60	%
tMCH1MCH2 tMCL2MCL1	Clock Rise and Fall Time	—	0	—	15	ns

Table 15. T7504 Transmit Section (See Figure 6.)

Symbol	Parameter	Test Conditions	Min	Typ	Max	Unit
tMCHDV	Data Enabled on TS Entry	0 < CLOAD < 100 pF	0	—	60	ns
tMCHDV1	Data Delay from MC	0 < CLOAD < 100 pF	0	—	60	ns
tMCLDZ*	Data Float on TS Exit	CLOAD = 0	15	—	100	ns
tFSHMCL	Frame-sync Hold Time	—	50	—	—	ns
tMCLFSH	Frame-sync High Setup	—	50	—	—	ns
tFSLMCL	Frame-sync Low Setup	—	50	—	—	ns
tFSHFSL	Frame-sync Pulse Width	—	0.1	—	125 – tMCHMCH	μs

* Timing parameter tMCLDZ is referenced to a high-impedance state.

Table 16. T5504 Transmit Section (See Figure 8.)

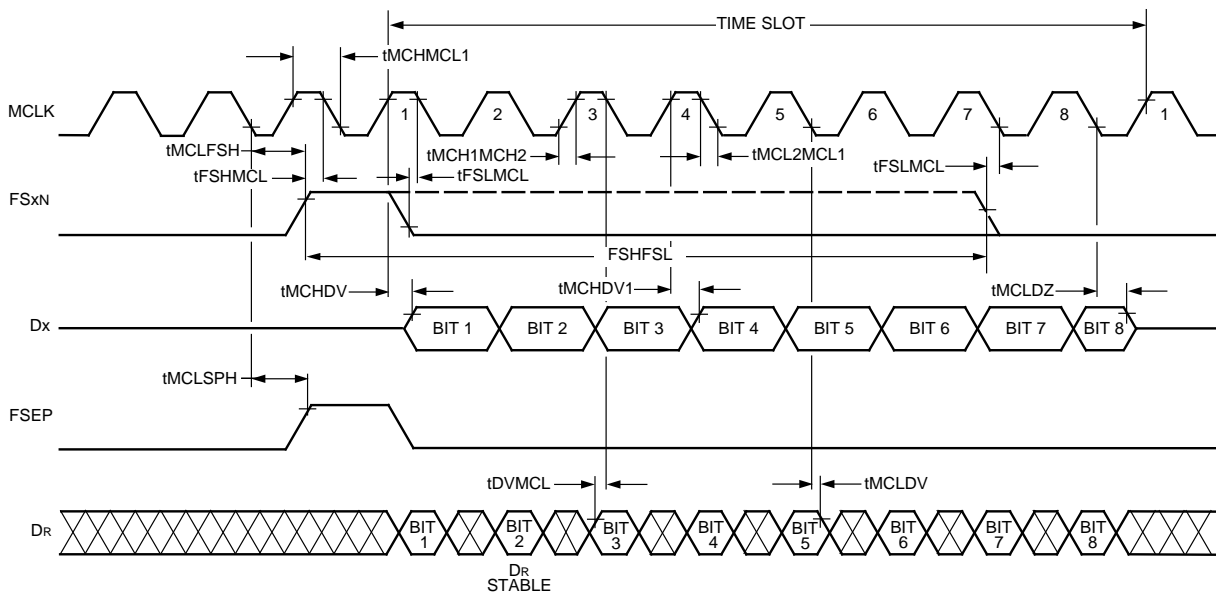
Symbol	Parameter	Test Conditions	Min	Typ	Max	Unit
tFSHDV	Data Enabled on TS Entry	0 < CLOAD < 100 pF	0	—	80	ns
tMCHDV1	Data Delay from FSx	0 < CLOAD < 100 pF	0	—	60	ns
tMCHDZ*	Data Float on TS Exit	CLOAD = 0	0	—	30	ns
tFSHMCL	Frame-sync Hold Time	—	50	—	—	ns
tMCLFSH	Frame-sync High Setup	—	50	—	—	ns
tFSLMCL	Frame-sync Low Setup	—	50	—	—	ns
tFSHFSL	Frame-sync Pulse Width	—	0.1	—	125 – tMCHMCH	μs

* Timing parameter tMCHDZ is referenced to a high-impedance state.

Timing Characteristics (continued)

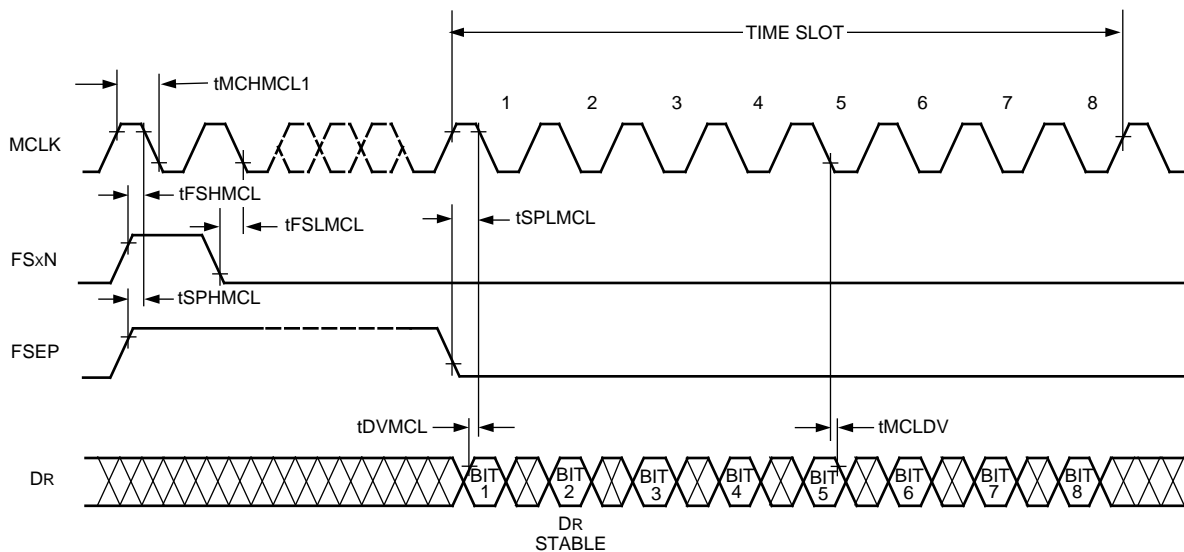
Table 17. T7504 and T5504 Receive Section (See Figures 6, 7, 8, and 9.)

Symbol	Parameter	Test Conditions	Min	Typ	Max	Unit
tDVMCL	Receive Data Setup	—	30	—	—	ns
tMCLDV	Receive Data Hold	—	15	—	—	ns
tSPHMCL	Frame Separation Hold Time	—	50	—	—	ns
tMCLSPH	Frame Separation High Setup	—	50	—	—	ns
tSPLMCL	Frame Separation Low Setup	—	50	—	—	ns



5-3581

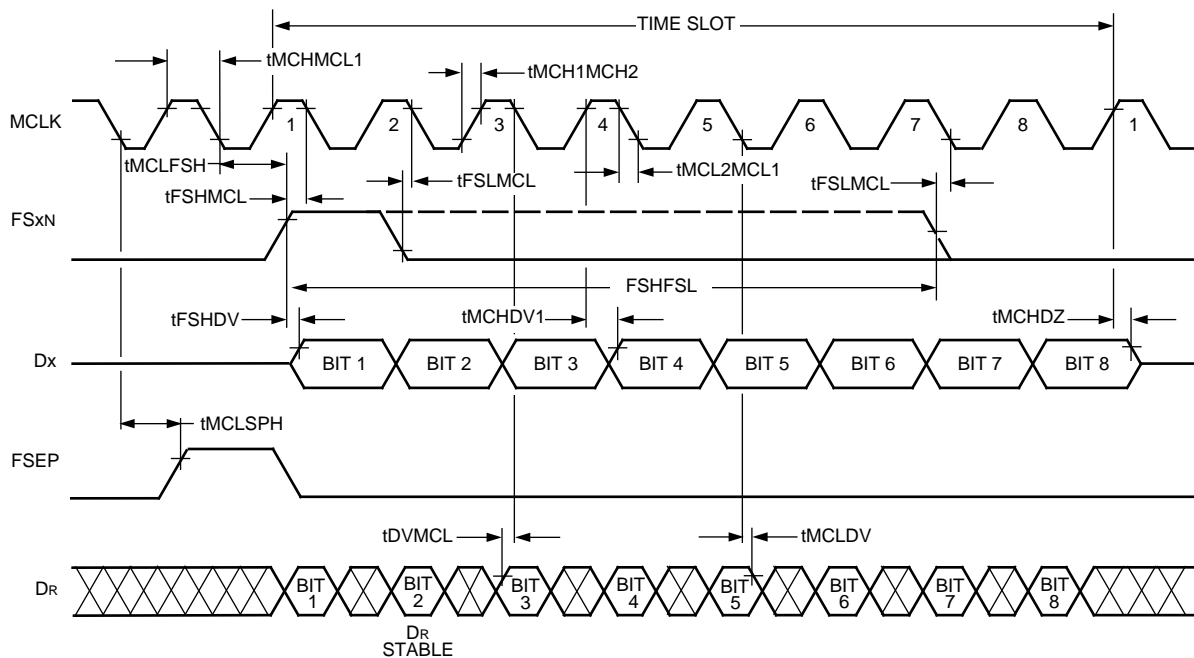
Figure 6. T7504 Transmit and Receive Timing, FSEP = 1 MCLK



5-3582

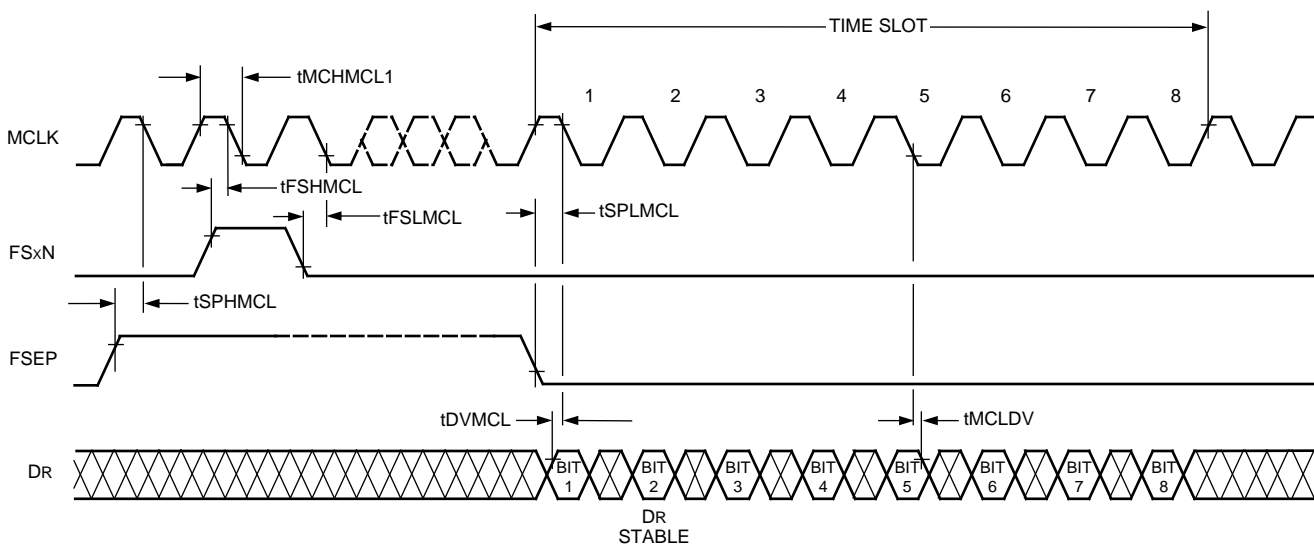
Figure 7. T7504 Receive Timing, FSEP > 1 MCLK

Timing Characteristics (continued)



5-3581.a

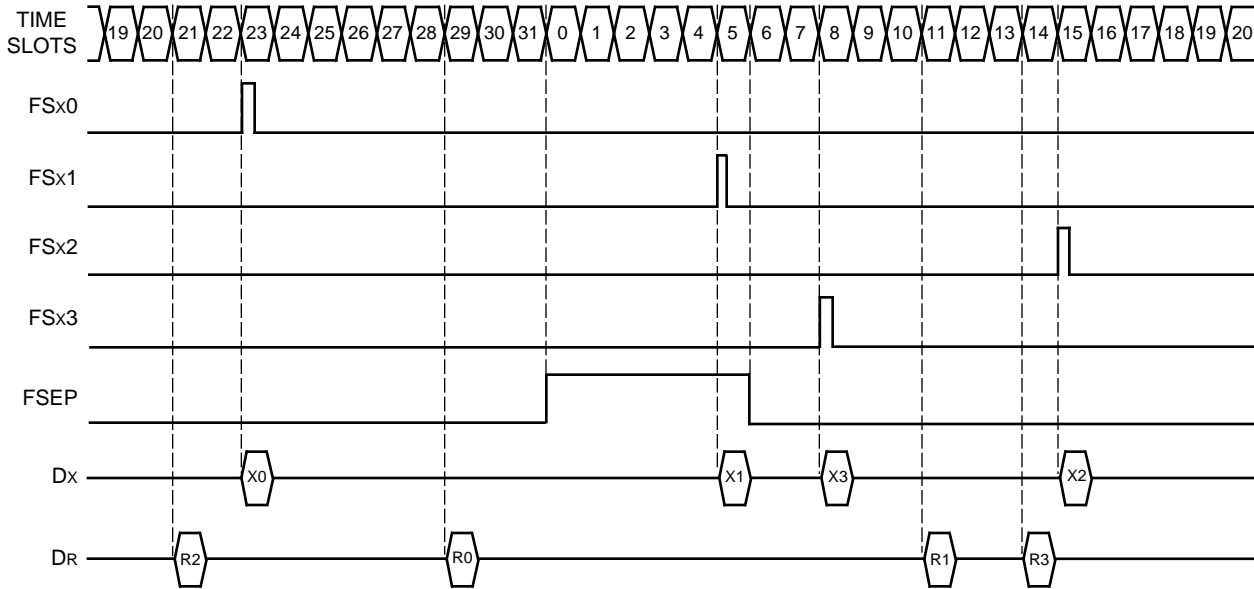
Figure 8. T5504 Transmit and Receive Timing, FSEP = 1 MCLK



5-3582.a

Figure 9. T5504 Receive Timing, FSEP > 1 MCLK

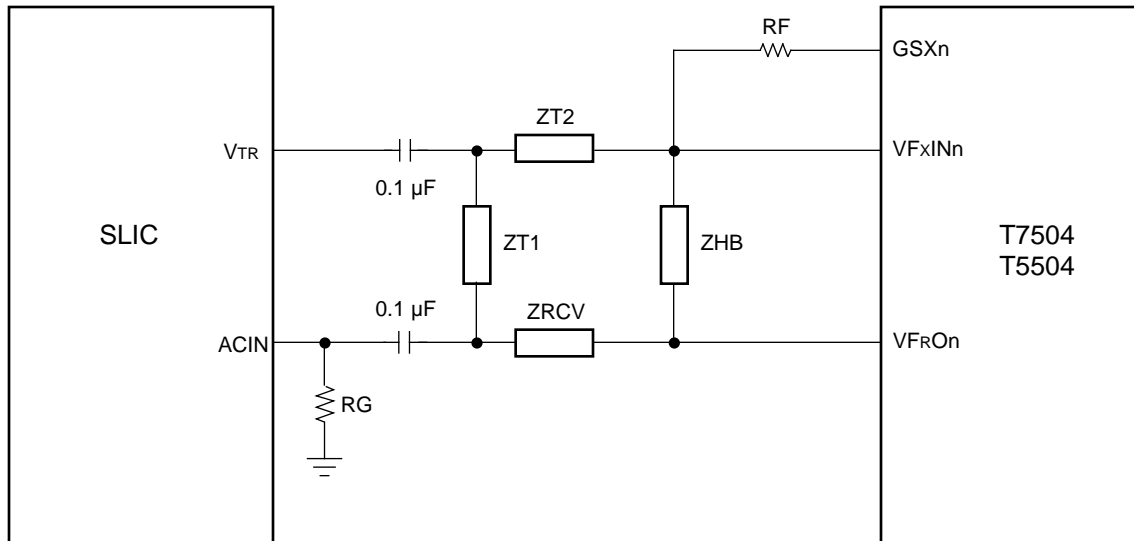
Timing Characteristics (continued)



5-3583.a

Figure 10. Typical Frame Sync Timing (2 MHz Operation)

Applications



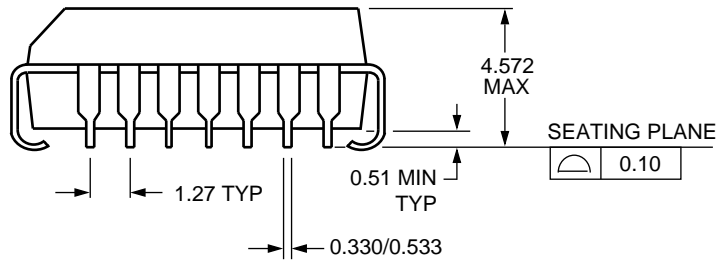
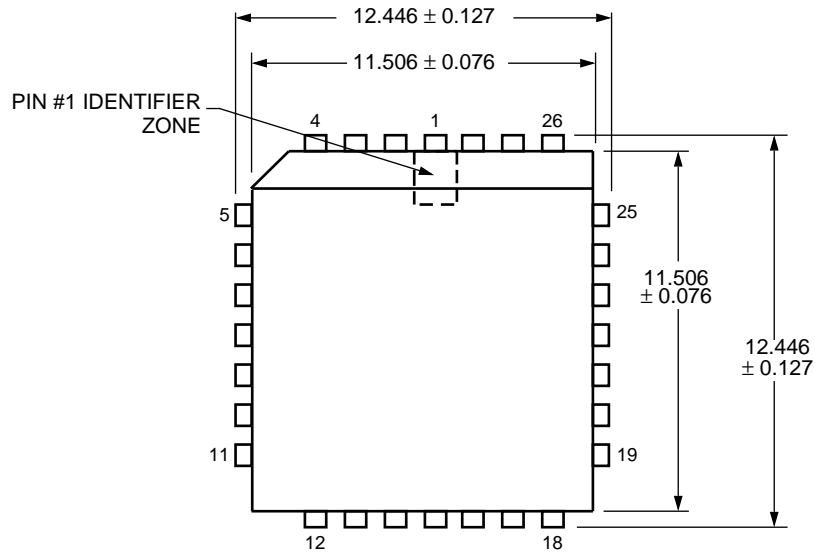
5-3584

Figure 11. Typical T7504 and T5504/SLIC Interconnection

Outline Diagrams

28-Pin PLCC

Controlling dimensions are in inches.

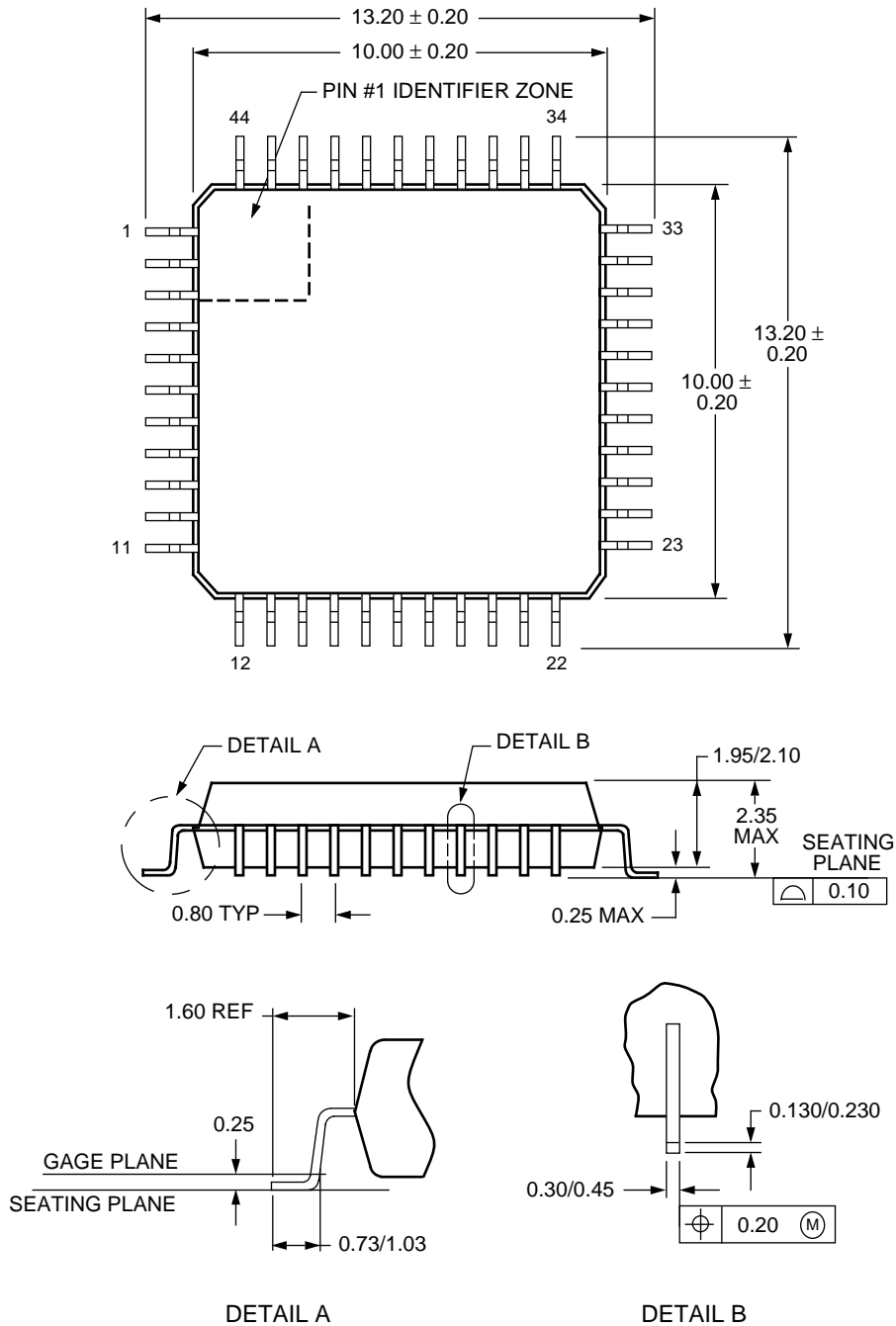


5-2608r05(F)

Outline Diagrams (continued)

44-Pin MQFP

Controlling dimensions are in inches.



5-2111r12(F)

Ordering Information

Device Code	Package	Temperature	Timing Mode	Comcode
T - 7504 - - - ML	28-Pin, PLCC	-40 °C to +85 °C	Delayed	107203184
T - 7504 - - - JL-DB	44-Pin, MQFP Dry Pack Tray	-40 °C to +85 °C	Delayed	107740466
T - 7504 - - - ML-TR	28-Pin, PLCC Tape & Reel	-40 °C to +85 °C	Delayed	107231680
T - 5504 - - - ML	28-Pin, PLCC	-40 °C to +85 °C	Nondelayed	107364044
T - 5504 - - - ML-TR	28-Pin, PLCC Tape & Reel	-40 °C to +85 °C	Nondelayed	107364051

For additional information, contact your Microelectronics Group Account Manager or the following:

INTERNET: <http://www.lucent.com/micro>

E-MAIL: docmaster@micro.lucent.com

N. AMERICA: Microelectronics Group, Lucent Technologies Inc., 555 Union Boulevard, Room 30L-15P-BA, Allentown, PA 18103

1-800-372-2447, FAX 610-712-4106 (In CANADA: **1-800-553-2448**, FAX 610-712-4106)

ASIA PACIFIC: Microelectronics Group, Lucent Technologies Singapore Pte. Ltd., 77 Science Park Drive, #03-18 Cintech III, Singapore 118256

Tel. (65) 778 8833, FAX (65) 777 7495

CHINA: Microelectronics Group, Lucent Technologies (China) Co., Ltd., A-F2, 23/F, Zao Fong Universe Building, 1800 Zhong Shan Xi Road, Shanghai 200233 P. R. China **Tel. (86) 21 6440 0468, ext. 316**, FAX (86) 21 6440 0652

JAPAN: Microelectronics Group, Lucent Technologies Japan Ltd., 7-18, Higashi-Gotanda 2-chome, Shinagawa-ku, Tokyo 141, Japan

Tel. (81) 3 5421 1600, FAX (81) 3 5421 1700

EUROPE: Data Requests: MICROELECTRONICS GROUP DATALINE: **Tel. (44) 1189 324 299**, FAX (44) 1189 328 148

Technical Inquiries: GERMANY: **(49) 89 95086 0** (Munich), UNITED KINGDOM: **(44) 1344 865 900** (Ascot),

FRANCE: **(33) 1 40 83 68 00** (Paris), SWEDEN: **(46) 8 594 607 00** (Stockholm), FINLAND: **(358) 9 4354 2800** (Helsinki),

ITALY: **(39) 02 6608131** (Milan), SPAIN: **(34) 1 807 1441** (Madrid)

Lucent Technologies Inc. reserves the right to make changes to the product(s) or information contained herein without notice. No liability is assumed as a result of their use or application. No rights under any patent accompany the sale of any such product(s) or information.

