

**PLEASE CHECK WWW.MOLEX.COM FOR LATEST PART INFORMATION**

**Part Number:** [0505417025](#)  
**Status:** **Active**  
**Description:** Ring Tongue Terminal for 1/0 AWG, Closed Uninsulated Brazed Barrel, Stud Size 1/4" (M6), Oxygen-Free Copper, Length 49.70mm (1.957")

**Documents:**

[Drawing \(PDF\)](#) [RoHS Certificate of Compliance \(PDF\)](#)  
[Product Specification PS-50541-002 \(PDF\)](#)

**General**

|                         |                          |
|-------------------------|--------------------------|
| Product Family          | Ring and Spade Terminals |
| Series                  | <a href="#">50541</a>    |
| Crimp Quality Equipment | Yes                      |
| Mil-Spec                | N/A                      |
| Product Name            | R (Ring)                 |
| Type                    | Ring                     |

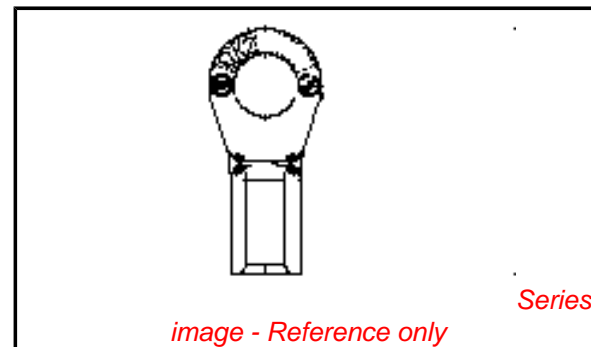
**Physical**

|                           |                 |
|---------------------------|-----------------|
| Barrel Type               | Closed - Brazed |
| Insulation                | None            |
| Material - Plating Mating | Tin             |
| Packaging Type            | Bag             |
| Stud Size                 | 1/4" (M6)       |
| Wire Size AWG             | 1               |
| Wire Size mm <sup>2</sup> | 42.42 - 60.57   |

**Material Info**

**Reference - Drawing Numbers**

|                       |              |
|-----------------------|--------------|
| Product Specification | PS-50541-002 |
| Sales Drawing         | SD-50541-001 |



**EU RoHS**

**ELV and RoHS  
Compliant**

**REACH SVHC**

Not Reviewed

**Halogen-Free**

Status

**Not Reviewed**

**Need more information on product  
environmental compliance?**

Email [productcompliance@molex.com](mailto:productcompliance@molex.com)  
 For a multiple part number RoHS Certificate of Compliance, [click here](#)

Please visit the [Contact Us](#) section for any non-product compliance questions.

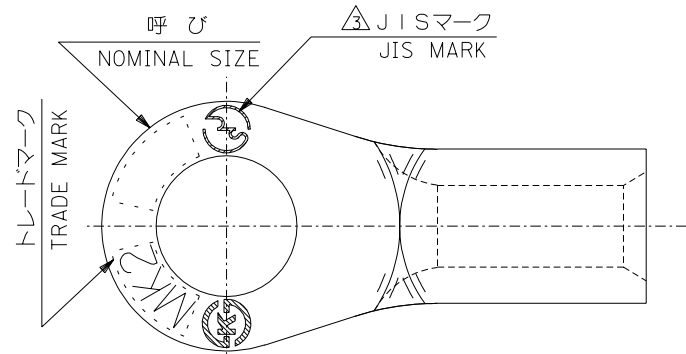
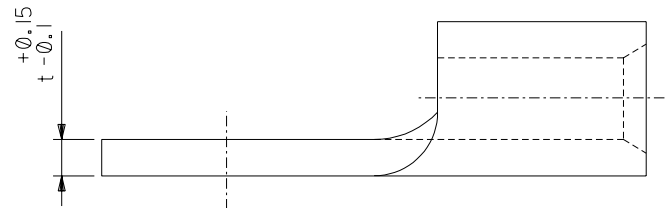
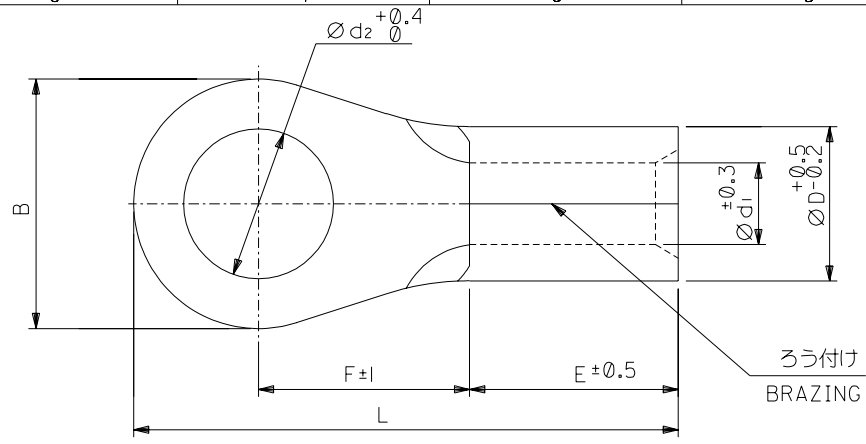
**China RoHS**



**Search Parts in this Series**  
[50541Series](#)

DO NOT SCALE DRAWING

DWG. NO. SD-50541-001



**注記 NOTES**

- 材質 MATERIAL  
 端子: 無酸素銅、スズメッキ  
 TERMINAL: OXYGEN FREE COPPER, TIN PLATING  
 ろう付け部: りん銅ろう  
 PART OF BRAZING: COPPER PHOSPHORUS BRAZING FILLER METALS
- 適用電線 APPLICABLE WIRE RANGE

| 単線<br>SOLID WIRE | 撚線<br>STRANDED WIRE         |
|------------------|-----------------------------|
| 7.34-8.26 mm     | 42.42-60.57 mm <sup>2</sup> |

△ JIS認定品にのみ刻印。  
 DIE STAMPED MARK IS ALLOWED ONLY FOR JIS FILED PRODUCTS.

|     |   |      |      |      |    |      |      |        |                    |    |              |
|-----|---|------|------|------|----|------|------|--------|--------------------|----|--------------|
|     |   | 25   |      |      |    |      |      | 32±0.6 |                    | 24 | 50541-7925   |
|     |   | 21   |      |      |    |      |      |        |                    | 20 | 50541-7825   |
|     |   | 19   | +0.5 | 23.5 |    |      |      |        |                    | 18 | -7725        |
|     |   | 17   | -1.2 |      |    |      |      | 32±0.5 |                    | 16 | -7625        |
|     |   | 15   | 57.5 |      |    |      |      |        |                    | 14 | -7525        |
| JIS | 2 | 13   |      |      | 18 | 11.4 | 15.5 | 32±0.3 | 60                 | 12 | -7425        |
| JIS |   | 11.5 | +0.3 |      |    |      |      |        |                    | 11 | -7325        |
|     |   | 10.5 | -1.2 | 20.7 |    |      |      | 22±0.3 |                    | 10 | -7225        |
| JIS |   | 8.4  |      |      |    |      |      |        |                    | 8  | -7125        |
| JIS |   | 6.4  |      |      |    |      |      |        |                    | 6  | 50541-7025   |
| △   | t | d2   | L    | F    | E  | d1   | D    | B      | 呼び<br>NOMINAL SIZE |    | MATERIAL NO. |

|                                |                                |                                |                                |   |                                  |  |   |  |              |        |        |
|--------------------------------|--------------------------------|--------------------------------|--------------------------------|---|----------------------------------|--|---|--|--------------|--------|--------|
| 64 NO.<br>DRWN: CH'K:<br>APPR: | 63 NO.<br>DRWN: CH'K:<br>APPR: | 62 NO.<br>DRWN: CH'K:<br>APPR: | 61 NO.<br>DRWN: CH'K:<br>APPR: | RELEASED<br>60 NO. J2003-1905<br>DRWN: T.KAIHO 03/01/17<br>CH'K: T.ITO<br>APPR: T.O.YAMAGUCHI | MATERIAL 材料<br>注記参照<br>SEE NOTES | GENERAL TOLERANCES:<br>(UNLESS SPECIFIED)<br>一般公差<br>10 UNDER 未過 ±0.2<br>10 OVER 以上 30 UNDER 未過 ±0.25<br>30 OVER 以上 ±0.3<br>ANGLE 角度 ±3° | MODEL NO. 50541-7*25<br>SCALE 1:1<br>DESIGN UNITS <input checked="" type="checkbox"/> mm <input type="checkbox"/> INCH<br>DRAWN BY & DATE T.KAIHO '03/01/17<br>CHECKED BY & DATE T.ITO '03/01/17<br>APPROVED BY & DATE T.YAMAGUCHI '03/01/17<br>CAD FILENAME SD50541001.S01 | DIMENSIONS: <input type="checkbox"/> mm <input type="checkbox"/> INCH <input checked="" type="checkbox"/> mm ONLY<br>SHT 1<br>REV 01<br>PROJECTION 1st ANGLE<br>TITLE: RING TERMINAL(銅線用裸圧着端子)<br>MOLEX MOLEX INCORPORATED<br>MATERIAL NO. SEE CHART<br>DRAWING NO. SD-50541-001<br>SHEET NO. 1 OF 1 |              |        |        |
| 0                              | REV                            | INS. RANGE 被覆外径                | —                              | WIRE RANGE 適用電線範囲   | —                                | ANGLE 角度   | SD50541001.S01  | SEE CHART  | SD-50541-001 | 1 OF 1 | SIZE B |

SD50541001.S01