



# LA5318M

## Variable Divided Voltage Generator for LCD Use

### Overview

The LA5318M is a variable divided voltage generator IC for multiple drive of LCD matrix.

### Features

- Power supply for variable bias LCD division drive (1/5 to 1/19 bias available by built-in resistances).
- Four operational amplifiers to deliver 5 voltage outputs.
- Low current drain (0.35mA typ).
- V1, V2 output current source side variable pin.
- Output on/off function  $V_{REF}$  control pins.
- Miniflat package.

### Specifications

#### Absolute Maximum Ratings at $T_a = 25^\circ\text{C}$

Parameter	Symbol	Conditions	Ratings	Unit
Maximum supply voltage	$V_{EE\ max}$	$V_{CC}-V_{EE}$	36	V
Maximum output current	$I_{OUT\ max}$	V1 to V4	Internal *	mA
Allowable power dissipation	$P_d\ max$		330	mW
Operating temperature	$T_{opr}$		-20 to +75	$^\circ\text{C}$
Storage temperature	$T_{stg}$		-30 to +135	$^\circ\text{C}$

Note : 1. Continuous operation (nonbreakdown) is guaranteed when operated at the maximum ratings shown above.

2. \*The maximum output current is a value specified under the conditions otherwise specified separately.

3. Output pins V1 to V4 to  $V_{CC}$ , GND short circuit not lasting more than 1ms is acceptable ( $|V_{CC} - V_{EE}| < 35\text{V}$ ).

#### Operating Conditions at $T_a = 25^\circ\text{C}$

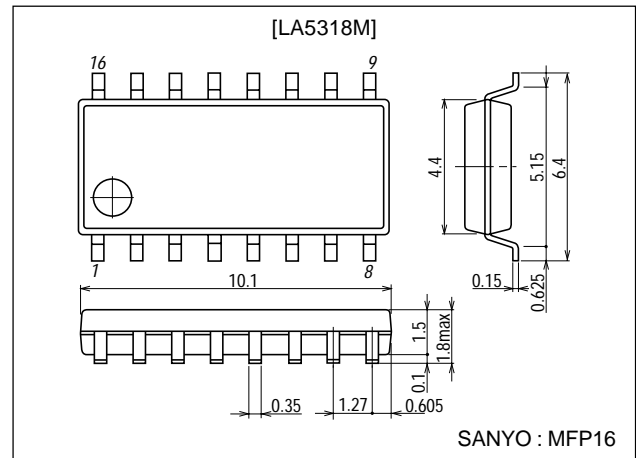
Parameter	Symbol	Conditions	Ratings	Unit
Supply voltage	$V_{EE}$	$V_{REF} \geq V_{EE}$	-35.5 to -6	V
Input voltage	$V_{REF}$		-35 to -6	V
Input current	$I_{INR}$		-0.2 to 0	mA
Output current	$I_{OUTR}$		0 to +50	mA
	$I_{OUT1, 2}$		-5 to +5	mA
	$I_{OUT3, 4}$		-10 to +5	mA

Note : 4. Set  $V_{CC}$  and  $V_{EE}$  so that  $|V1|$  and  $|V_{EE}-V4|$  become 1V or greater.

### Package Dimensions

unit:mm

3035A-MFP16



■ Any and all SANYO products described or contained herein do not have specifications that can handle applications that require extremely high levels of reliability, such as life-support systems, aircraft's control systems, or other applications whose failure can be reasonably expected to result in serious physical and/or material damage. Consult with your SANYO representative nearest you before using any SANYO products described or contained herein in such applications.

■ SANYO assumes no responsibility for equipment failures that result from using products at values that exceed, even momentarily, rated values (such as maximum ratings, operating condition ranges, or other parameters) listed in products specifications of any and all SANYO products described or contained herein.

**SANYO Electric Co.,Ltd. Semiconductor Company**

TOKYO OFFICE Tokyo Bldg., 1-10, 1 Chome, Ueno, Taito-ku, TOKYO, 110-8534 JAPAN

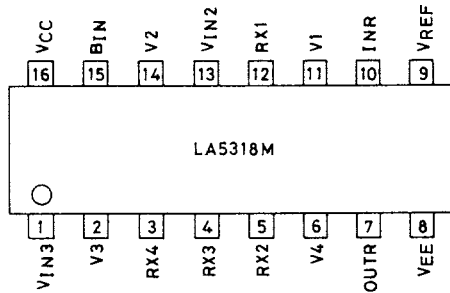
# LA5318M

**Operating Characteristics** at  $T_a = 25^\circ\text{C}$ ,  $V_{CC}-V_{EE}=20\text{V}$ ,  $V_{REF}=V_{EE}$ ,  $R_X=8R$ ,  $B_{IN}=\text{Open}$

Parameter	Symbol	Conditions	Ratings			Unit
			min	typ	max	
Current drain	$I_{CC}, I_{EE}$	$V_{CC}-V_{EE}=20\text{V}$ , $R_X=8R$ , $I_{NR}=V_{CC}$		0.35	0.5	mA
Output voltage ratio 1	Ra1	$V2/V1$	1.96	2.00	2.04	
Output voltage ratio 2	Ra2	$(V_{REF}-V3)/(V_{REF}-V4)$	1.96	2.00	2.04	
Output voltage ratio 3	Rb1	$V_{REF}/V1$	11.64	12.00	12.36	
Output voltage ratio 4	Rb2	$V_{REF}/V2$	5.82	6.00	6.18	
Output voltage ratio 5	Rb3	$V_{REF}/(V_{REF}-V3)$	5.82	6.00	6.18	
Output voltage ratio 6	Rb4	$V_{REF}/(V_{REF}-V4)$	11.64	12.00	12.36	
Internal resistance ratio 1	$R_{X1}$	$R_{X1}-R_{X2}^*$		8		
Internal resistance ratio 2	$R_{X2}$	$R_{X2}-R_{X3}^*$		12		
Internal resistance ratio 3	$R_{X3}$	$R_{X3}-R_{X4}^*$		14		
Internal resistance ratio 4	$R_{X4}$	$R_{X4}-V_{IN3}^*$		15		
Resistance	R	R value when 0.5V is applied across $R_{X4}$ and $V_{IN3}$		30		k $\Omega$
Load regulation 1	$\Delta V1$	$+0.1\text{mA} < I_{OUT1} < +5\text{mA}$			$\pm 20$	mV
Load regulation 2	$\Delta V2$	$+0.1\text{mA} < I_{OUT2} < +5\text{mA}$			$\pm 20$	mV
Load regulation 3	$\Delta V3$	$+0.1\text{mA} < I_{OUT3} < +5\text{mA}$			$\pm 20$	mV
Load regulation 4	$\Delta V4$	$+0.1\text{mA} < I_{OUT4} < +5\text{mA}$			$\pm 20$	mV
Load regulation -1A	$-\Delta V1A$	$-0.5\text{mA} < I_{OUT1} < -0.1\text{mA}$			$\pm 20$	mV
Load regulation -2A	$-\Delta V2A$	$-0.5\text{mA} < I_{OUT2} < -0.1\text{mA}$			$\pm 20$	mV
Load regulation -3	$-\Delta V3$	$-10\text{mA} < I_{OUT3} < -0.1\text{mA}$			$\pm 20$	mV
Load regulation -4	$-\Delta V4$	$-10\text{mA} < I_{OUT4} < -0.1\text{mA}$			$\pm 20$	mV
Load regulation -1B	$-\Delta V1B$	$-5\text{mA} < I_{OUT1} < -0.1\text{mA}$ , $B_{IN}=\text{GND}$			$\pm 20$	mV
Load regulation -2B	$-\Delta V2B$	$-5\text{mA} < I_{OUT2} < -0.1\text{mA}$ , $B_{IN}=\text{GND}$			$\pm 20$	mV
OUTR saturation voltage	$V_{OUTR}$	$I_{OUT}=20\text{mA}$ , $V_{CC}-I_{NR}=2.7\text{V}$ (Source $I_{OUT}$ is negative (-) and sink. $I_{OUT}$ is positive (+).)			0.5	V

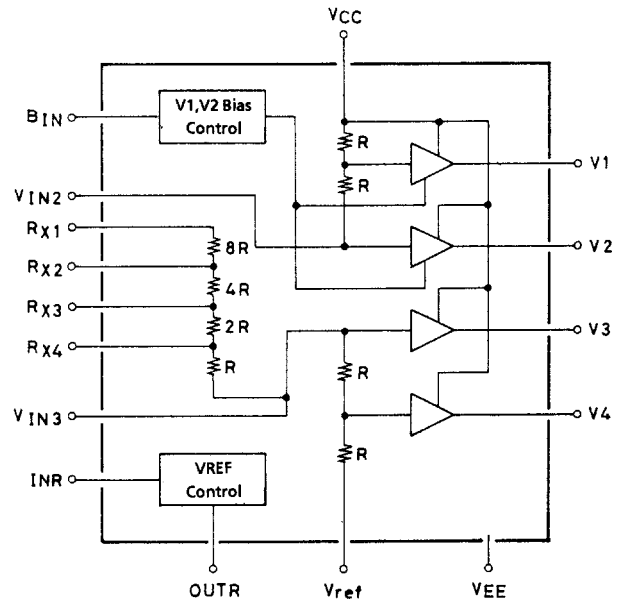
Note\* : Referenced to R between  $R_{X4}$  and  $V_{IN3}$ .

## Pin Assignment



Top view

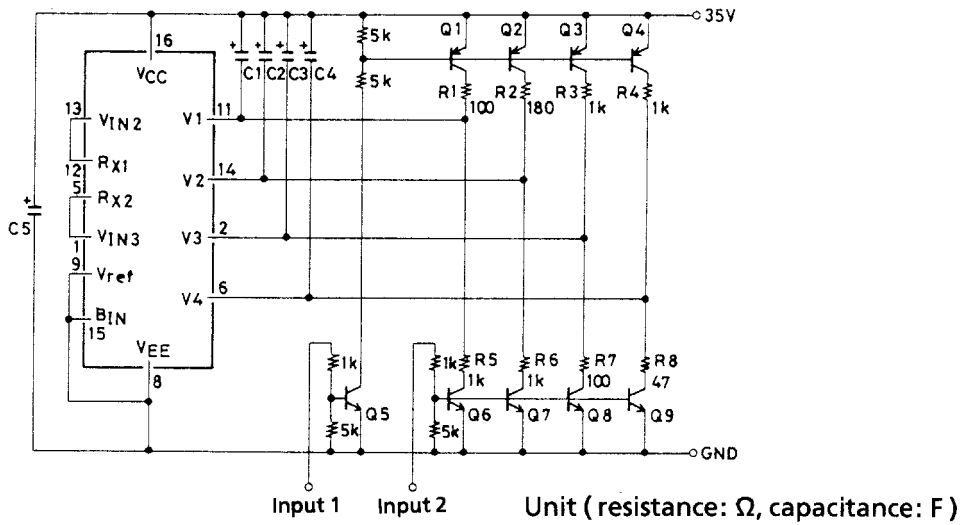
## Block Diagram



Note : Use the IC so that  $V_{RX1} \geq V_{RX2} \geq V_{RX3} \geq V_{RX4}$  must be obeyed.

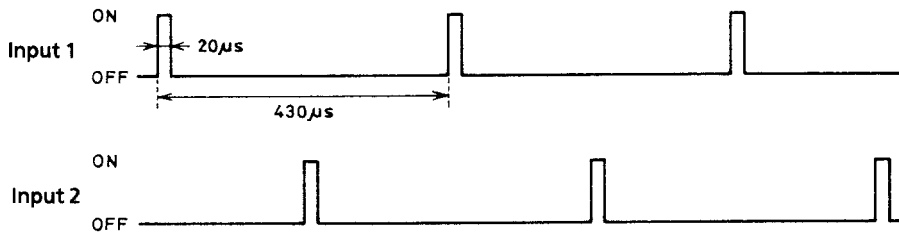
# LA5318M

## Maximum Output Current Load Test Conditions



$V_{CC}-V_{EE}=35V$   $R_X=8R$   $C1$  to  $C4=10\mu F$   $C5=33\mu F$   $R$  ; 1W or more  
 $Q1$  to  $4$  ; 2SA984 E or F rank  
 $Q5$  to  $9$  ; 2SC2274 E or F rank

Output load resistances R1 to R8 are set in order that current of 25 to 30mA max. (V3, V4 source side : about 60mA) are supplied to both source and sink sides when an on-level input is applied to the inputs 1 or 2.



### V<sub>REF</sub> Control Block

How to calculate the Q1 drive current.

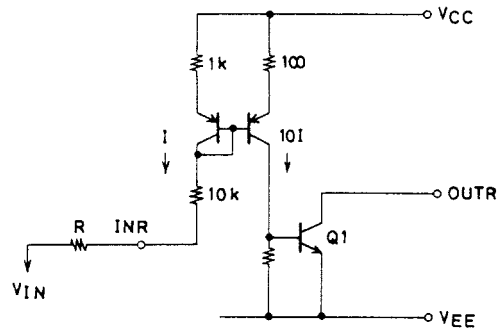
$$I = \frac{V_{CC} - V_{BE} - V_{IN}}{11k + R}$$

$$(V_{BE} \approx 0.7V)$$

Drive current

$$I_O \approx 10I = \frac{V_{CC} - 0.7 - V_{IN}}{11k + R} \times 10$$

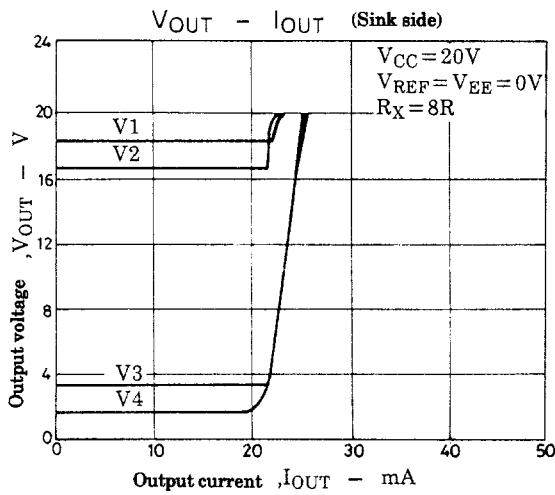
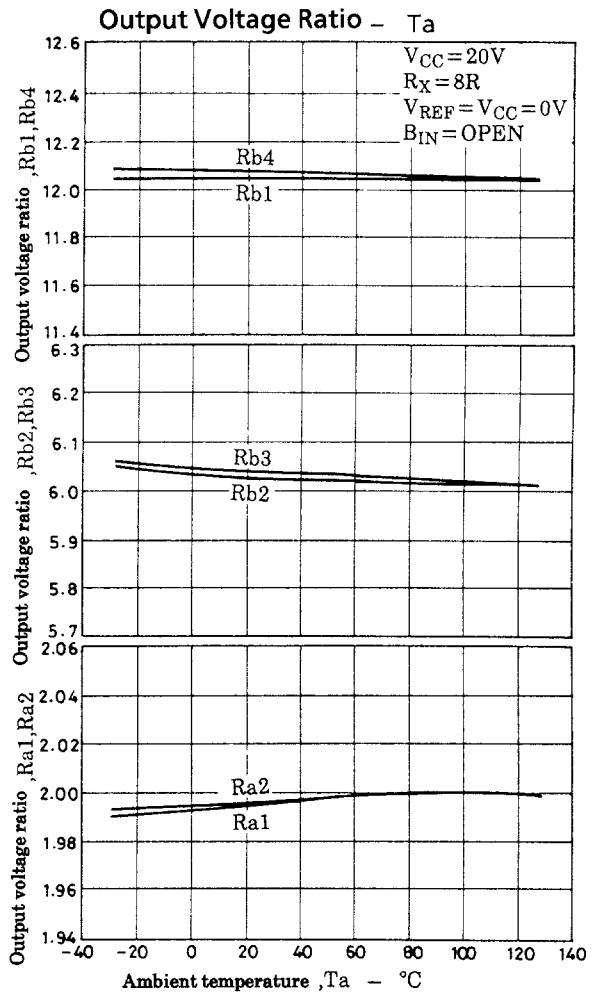
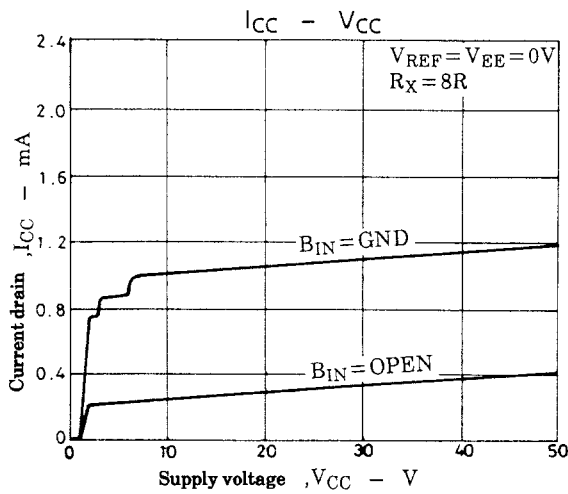
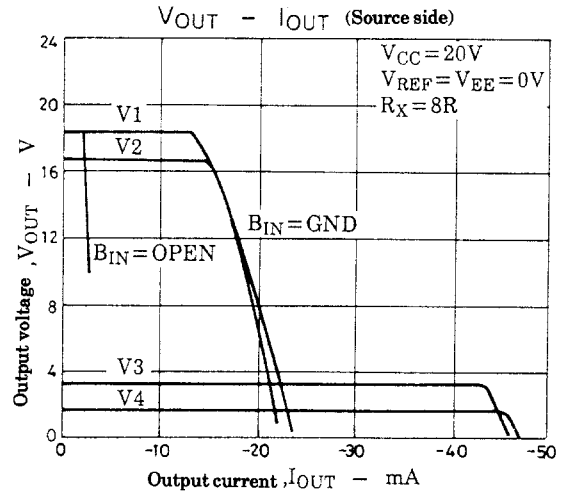
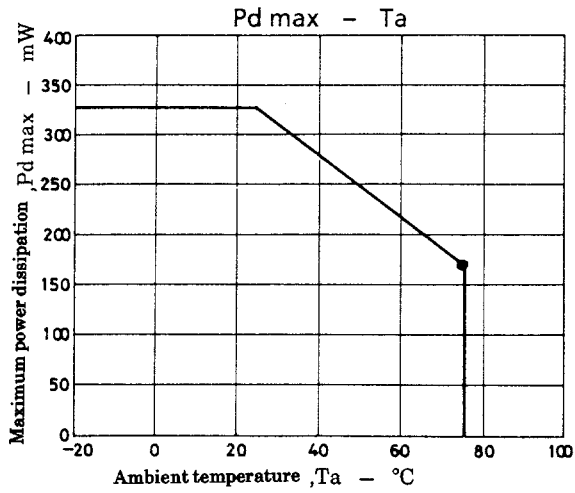
Q1 h<sub>FE</sub> is assumed to be 50.



Unit ( resistance: Ω )

\* Set  $V_{CC}=INR$  when INR and OUTR are not used.

# LA5318M



- Specifications of any and all SANYO products described or contained herein stipulate the performance, characteristics, and functions of the described products in the independent state, and are not guarantees of the performance, characteristics, and functions of the described products as mounted in the customer's products or equipment. To verify symptoms and states that cannot be evaluated in an independent device, the customer should always evaluate and test devices mounted in the customer's products or equipment.
- SANYO Electric Co., Ltd. strives to supply high-quality high-reliability products. However, any and all semiconductor products fail with some probability. It is possible that these probabilistic failures could give rise to accidents or events that could endanger human lives, that could give rise to smoke or fire, or that could cause damage to other property. When designing equipment, adopt safety measures so that these kinds of accidents or events cannot occur. Such measures include but are not limited to protective circuits and error prevention circuits for safe design, redundant design, and structural design.
- In the event that any or all SANYO products(including technical data, services) described or contained herein are controlled under any of applicable local export control laws and regulations, such products must not be exported without obtaining the export license from the authorities concerned in accordance with the above law.
- No part of this publication may be reproduced or transmitted in any form or by any means, electronic or mechanical, including photocopying and recording, or any information storage or retrieval system, or otherwise, without the prior written permission of SANYO Electric Co., Ltd.
- Any and all information described or contained herein are subject to change without notice due to product/technology improvement, etc. When designing equipment, refer to the "Delivery Specification" for the SANYO product that you intend to use.
- Information (including circuit diagrams and circuit parameters) herein is for example only ; it is not guaranteed for volume production. SANYO believes information herein is accurate and reliable, but no guarantees are made or implied regarding its use or any infringements of intellectual property rights or other rights of third parties.

This catalog provides information as of March, 2000. Specifications and information herein are subject to change without notice.