

CMFBR-6F
SURFACE MOUNT
SILICON BRIDGE RECTIFIER

SOT-143 CASE

CentralTM

Semiconductor Corp.

FEATURES:

- Monolithic construction
- Fast switching
- All diodes share closely matched electrical characteristics.
- Very small size

DESCRIPTION:

The Central Semiconductor CMFBR-6F is a monolithic silicon full wave bridge rectifier, epoxy molded in a SOT-143 surface mount package. This device has been designed for use in computers and peripheral equipment requiring high speed switching, small size, and closely matched V_F .

MARKING CODE: CBR2

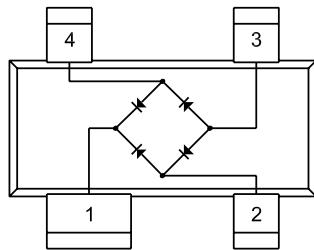
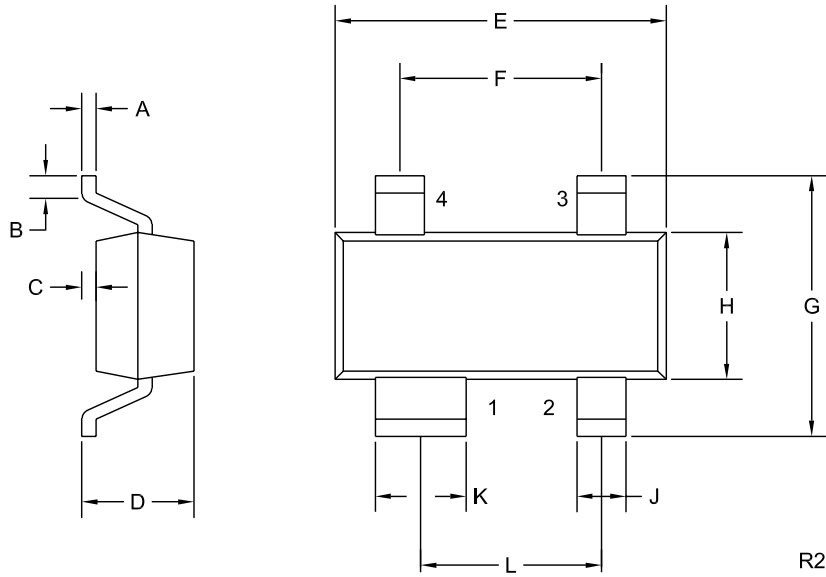
MAXIMUM RATINGS: ($T_A=25\text{ }^\circ\text{C}$)

	SYMBOL		UNITS
Peak Repetitive Reverse Voltage	V_{RRM}	60	V
Continuous Forward Current	I_F	140	mA
Power Dissipation	P_D	350	mW
Operating and Storage			
Junction Temperature	T_J, T_{stg}	-65 to +150	°C
Thermal Resistance	θ_{JA}	357	°C/W

ELECTRICAL CHARACTERISTICS PER DIODE: ($T_A=25\text{ }^\circ\text{C}$ unless otherwise noted)

SYMBOL	TEST CONDITIONS	MIN	TYP	MAX	UNITS
I_R	$V_R=50\text{V}$			10	nA
BV_R	$I_R=100\mu\text{A}$	60			V
V_F	$I_F=20\text{mA}$			1.0	V
C_T	$V_R=0\text{V}, f=1.0\text{MHz}$		5.0		pF
t_{rr}	$I_F=I_R=10\text{mA}, I_{rr}=1.0\text{mA}$		1000		ns

SOT-143 CASE - MECHANICAL OUTLINE



LEAD CODE:

- 1) (+) DC
- 2) AC
- 3) (-) DC
- 4) AC

MARKING CODE: CBR2

SYMBOL	DIMENSIONS			
	INCHES		MILLIMETERS	
A	0.003	0.006	0.08	0.15
B	0.006	-	0.15	-
C	-	0.005	-	0.13
D	-	0.045	-	1.14
E	0.110	0.120	2.79	3.04
F	0.075		1.90	
G	-	0.098	-	2.50
H	0.047	0.055	1.19	1.40
J	0.014	0.020	0.36	0.50
K	0.030	0.037	0.76	0.93
L	0.067		1.70	

SOT-143 (REV: R2)