

3.3 V 168-pin Registered SDRAM Modules 64 MB, 128 MB, 256 MB, 512 MB & 1 GB Densities

- 168-pin JEDEC Standard, Registered 8 Byte Dual-In-Line SDRAM Module for PC and Server main memory applications
- One bank 8M × 72, 16M × 72, 32M × 72 and 64M × 72 organization, two bank 128M × 72 organization
- Optimized for ECC applications with very low input capacitances
- Programmed Latencies:

Product Speed		CL	t_{RCD}	t_{RP}
-8	PC100	2	2	2
-8A	PC100	3	2	2

- Single + 3.3 V (± 0.3 V) power supply
- Performance:

		-8	-8A	Unit
		PC100	PC100	
f_{CK}	Clock Frequency (max.)	100	100	MHz
t_{CK}	Clock Cycle Time (min.)	10	10	ns
t_{AC}	Clock Access Time (min.)	6	6	ns

The HYS 72Vx2x0GR family are industry standard 168-pin 8-byte Dual in-line Memory Modules (DIMMs) which are organized as 8M × 72, 16M × 72, 32M × 72, 64M × 72 & 128M × 72 high speed memory arrays designed with Synchronous DRAMs (SDRAMs) for ECC applications. The 32M x 72 (256MByte) registered DIMM module is available in two versions (12 or 13 row addresses). All control and address signals are registered on-DIMM and the design incorporates a PLL circuit for the Clock inputs. Use of an on-board register reduces capacitive loading on the input signals but are delayed by one cycle in arriving at the SDRAM devices. Decoupling capacitors are mounted on the PC board. The DIMMs use a serial presence detects scheme implemented via a serial E²PROM using the 2-pin I²C protocol. The first 128 bytes are utilized by the DIMM manufacturer and the second 128 bytes are available to the end user. All Infineon 168-pin DIMMs provide a high performance, flexible 8-byte interface in a 133.35 mm long footprint.

Ordering Information

Type	Compliance Code	Description	SDRAM Technology
HYS 72V8200GR-8	PC100-222-622R	one bank 64 MB Reg. DIMM	64 MBit
HYS 72V16200GR-8	PC100-222-622R	one bank 128 MB Reg. DIMM	64 MBit
HYS 72V16201GR-8	PC100-222-622R	one bank 128 MB Reg. DIMM	128 MBit
HYS 72V32201GR-8	PC100-222-622R	one bank 256 MB Reg. DIMM	128 MBit
HYS 72V32200GR-8	PC100-222-622R	one bank 256 MB Reg. DIMM	256 MBit
HYS 72V32200GR-8A	PC100-322-622R		
HYS 72V64200GR-8	PC100-222-622R	one bank 512 MB Reg. DIMM	256 MBit
HYS 72V64200GR-8A	PC100-322-622R		
HYS 72V128220GR-8	PC100-222-622R	two bank 1 GByte Reg. DIMM	256 MBit (stacked)
HYS 72V128220GR-8A	PC100-322-622R		

Note: All part numbers end with a place code (not shown), designating the die revision. Consult factory for current revision. Example: HYS 64V8200GR-8-C, indicating Rev. C dies are used for SDRAM components.

Pin Definitions and Functions

A0 - A11, A12	Address Inputs	DQMB0 - DQMB7	Data Mask
BA0, BA1	Bank Selects	$\overline{CS0} - \overline{CS3}$	Chip Select
DQ0 - DQ63	Data Input/Output	REGE	Register Enable
CB0 - CB7	Check Bits (x72 organization only)	V_{DD}	Power (+ 3.3 V)
\overline{RAS}	Row Address Strobe	V_{SS}	Ground
\overline{CAS}	Column Address Strobe	SCL	Clock for Presence Detect
\overline{WE}	Read/Write Input	SDA	Serial Data Out
CKE0	Clock Enable	N.C.	No Connection
CLK0 - CLK3	Clock Input	–	–

Address Format

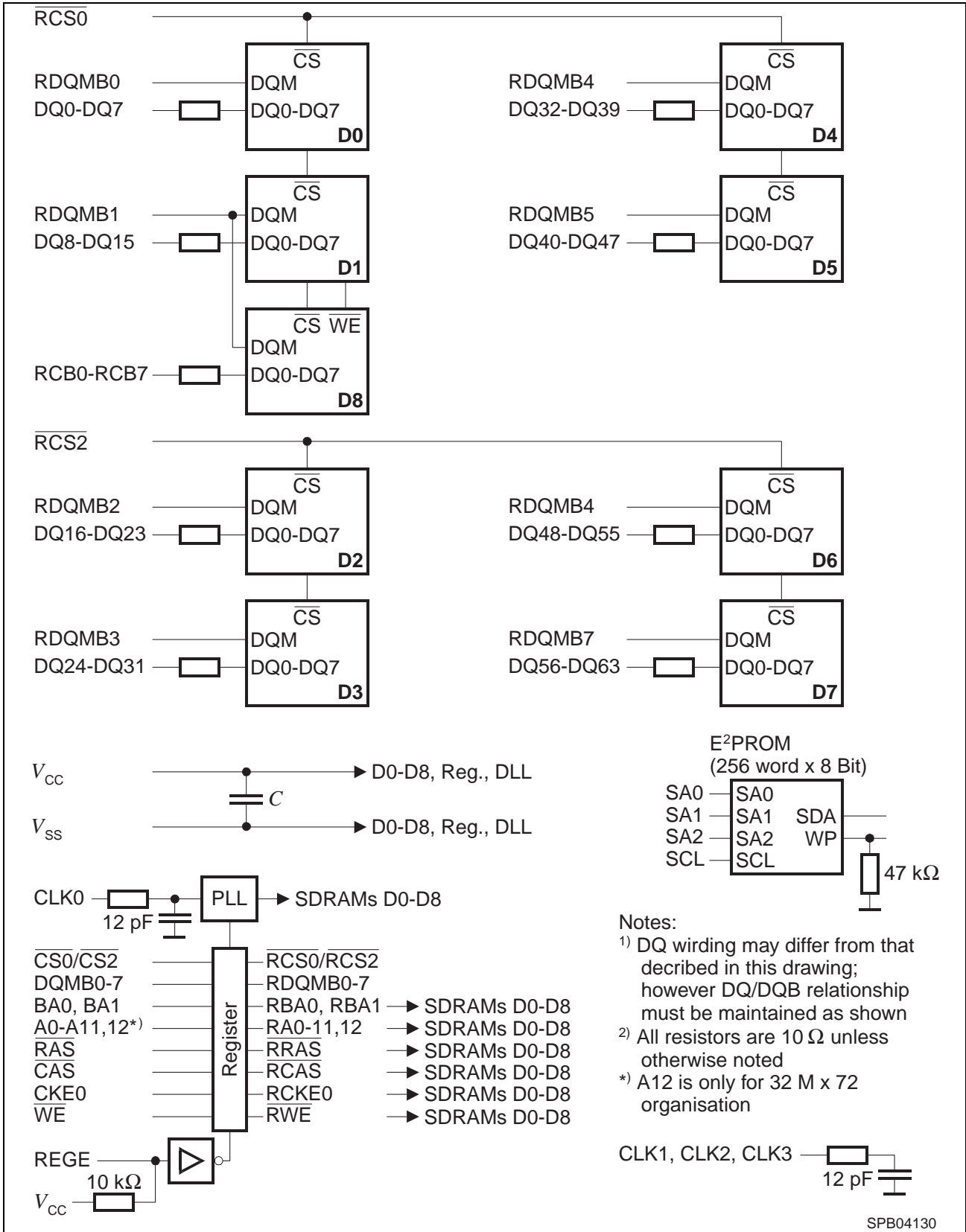
Density	Organization	Memory Banks	SDRAMs	# of SDRAMs	# of row/bank/columns bits	Refresh	Period	Interval
64 MB	8M × 72	1	8M × 8	9	12/2/9	4k	64 ms	15.6 μs
128 MB	16M × 72	1	16M × 4	18	12/2/10	4k	64 ms	15.6 μs
128 MB	16M × 72	1	16M × 8	9	12/2/10	4k	64 ms	15.6 μs
256 MB	32M × 72	1	32M × 4	18	12/2/11	4k	64 ms	15.6 μs
256 MB	32M × 72	1	32M × 8	9	13/2/10	8k	64 ms	7.8 μs
512 MB	64M × 72	1	64M × 4	18	13/2/11	8k	64 ms	7.8 μs
1 GB	128M × 72	2	64M × 4	36	13/2/11	8k	64 ms	7.8 μs

Pin Configuration

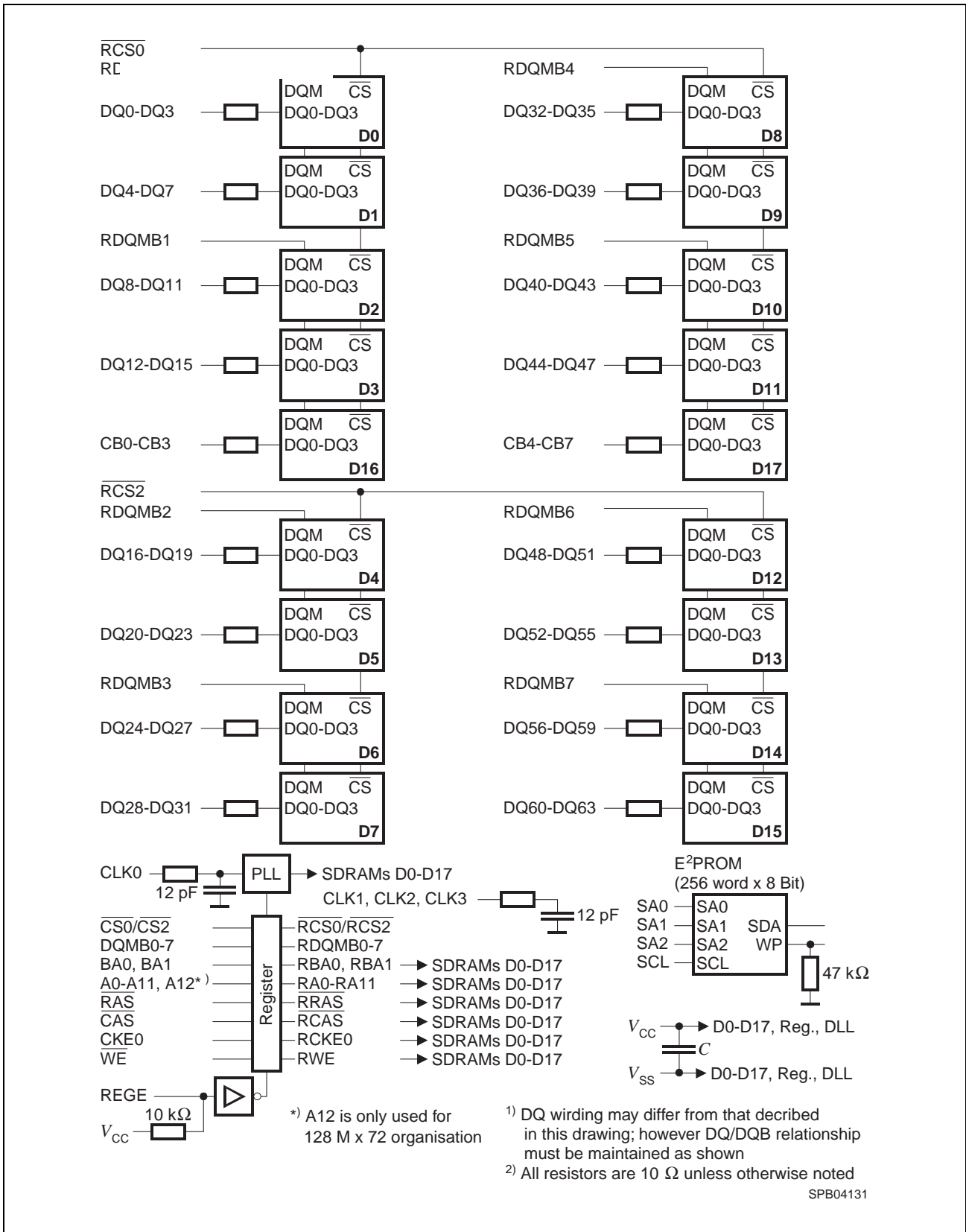
PIN#	Symbol	PIN#	Symbol	PIN#	Symbol	PIN#	Symbol
1	V_{SS}	43	V_{SS}	85	V_{SS}	127	V_{SS}
2	DQ0	44	DU	86	DQ32	128	CKE0
3	DQ1	45	$\overline{CS2}$	87	DQ33	129	$\overline{CS3}$
4	DQ2	46	DQMB2	88	DQ34	130	DQMB6
5	DQ3	47	DQMB3	89	DQ35	131	DQMB7
6	V_{DD}	48	DU	90	V_{DD}	132	N.C.
7	DQ4	49	V_{DD}	91	DQ36	133	V_{DD}
8	DQ5	50	N.C.	92	DQ37	134	N.C.
9	DQ6	51	N.C.	93	DQ38	135	N.C.
10	DQ7	52	CB2	94	DQ39	136	CB6
11	DQ8	53	CB3	95	DQ40	137	CB7

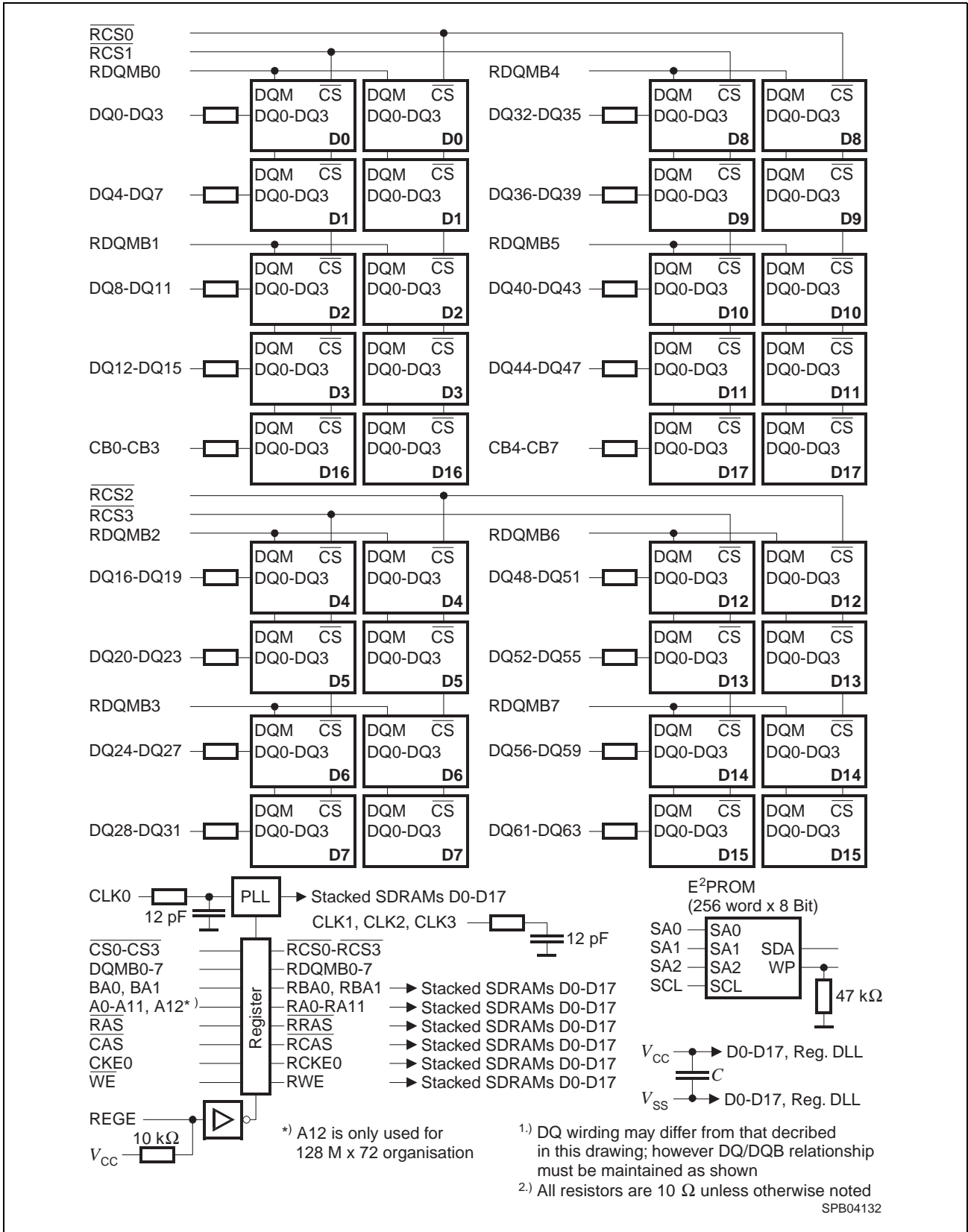
Pin Configuration (cont'd)

PIN#	Symbol	PIN#	Symbol	PIN#	Symbol	PIN#	Symbol
12	V _{SS}	54	V _{SS}	96	V _{SS}	138	V _{SS}
13	DQ9	55	DQ16	97	DQ41	139	DQ48
14	DQ10	56	DQ17	98	DQ42	140	DQ49
15	DQ11	57	DQ18	99	DQ43	141	DQ50
16	DQ12	58	DQ19	100	DQ44	142	DQ51
17	DQ13	59	V _{DD}	101	DQ45	143	V _{DD}
18	V _{DD}	60	DQ20	102	V _{DD}	144	DQ52
19	DQ14	61	N.C.	103	DQ46	145	N.C.
20	DQ15	62	DU	104	DQ47	146	DU
21	CB0	63	N.C.	105	CB4	147	REGE
22	CB1	64	V _{SS}	106	CB5	148	V _{SS}
23	V _{SS}	65	DQ21	107	V _{SS}	149	DQ53
24	N.C.	66	DQ22	108	N.C.	150	DQ54
25	N.C.	67	DQ23	109	N.C.	151	DQ55
26	V _{DD}	68	V _{SS}	110	V _{DD}	152	V _{SS}
27	\overline{WE}	69	DQ24	111	\overline{CAS}	153	DQ56
28	DQMB0	70	DQ25	112	DQMB4	154	DQ57
29	DQMB1	71	DQ26	113	DQMB5	155	DQ58
30	$\overline{CS0}$	72	DQ27	114	$\overline{CS1}$	156	DQ59
31	DU	73	V _{DD}	115	\overline{RAS}	157	V _{DD}
32	V _{SS}	74	DQ28	116	V _{SS}	158	DQ60
33	A0	75	DQ29	117	A1	159	DQ61
34	A2	76	DQ30	118	A3	160	DQ62
35	A4	77	DQ31	119	A5	161	DQ63
36	A6	78	V _{SS}	120	A7	162	V _{SS}
37	A8	79	CLK2	121	A9	163	CLK3
38	A10 (AP)	80	N.C.	122	BA0	164	N.C.
39	BA1	81	WP	123	A11	165	SA0
40	V _{DD}	82	SDA	124	V _{DD}	166	SA1
41	V _{DD}	83	SCL	125	CLK1	167	SA2
42	CLK0	84	V _{DD}	126	A12	168	V _{DD}



**Block Diagram: One Bank 8M × 72, 16M x 72 & 32M × 72 SDRAM DIMM Modules
HYS 72V8200GR, HYS72V16201GR and HYS 72V32200GR Using x8 Organized SDRAMs**





Block Diagram: Two Bank 128M × 72 SDRAM DIMM Modules
HYS 72V128220GR Using Stacked x4 Organized SDRAMs

DC Characteristics

$T_A = 0$ to $70\text{ }^\circ\text{C}$ ¹⁾; $V_{SS} = 0\text{ V}$; $V_{DD}, V_{DDQ} = 3.3\text{ V} \pm 0.3\text{ V}$

Parameter	Symbol	Limit Values		Unit
		min.	max.	
Input High Voltage	V_{IH}	2.0	$V_{DD} + 0.3$	V
Input Low Voltage	V_{IL}	- 0.5	0.8	V
Output High Voltage ($I_{OUT} = - 4.0\text{ mA}$)	V_{OH}	2.4	-	V
Output Low Voltage ($I_{OUT} = 4.0\text{ mA}$)	V_{OL}	-	0.4	V
Input Leakage Current, any input ($0\text{ V} < V_{IN} < 3.6\text{ V}$, all other inputs = 0 V)	$I_{I(L)}$	- 10	10	μA
Output Leakage Current (DQ is disabled, $0\text{ V} < V_{OUT} < V_{DD}$)	$I_{O(L)}$	- 10	10	μA

Capacitance

$T_A = 0$ to $70\text{ }^\circ\text{C}$ ¹⁾; $V_{DD} = 3.3\text{ V} \pm 0.3\text{ V}$, $f = 1\text{ MHz}$

Parameter	Symbol	Limit Values		Unit
		One Bank Modules	Two Bank Modules	
Input Capacitance (all inputs except CLK and CKE)	C_{IN}	10	20	pF
Input Capacitance (CLK)	C_{CLK}	30	30	pF
Input Capacitance (CKE)	C_{CKE}	17	30	pF
Input/Output Capacitance (DQ0 - DQ63, CB0 - CB7)	C_{IO}	10	17	pF
Input Capacitance (SCL, SA0 - 2)	C_{SC}	8	8	pF
Input/Output Capacitance (SDA)	C_{SD}	8	8	pF

Operating Currents per SDRAM component

$T_A = 0$ to $70\text{ }^\circ\text{C}$ ¹⁾, $V_{DD} = 3.3\text{ V} \pm 0.3\text{ V}$

(Recommended Operating Conditions unless otherwise noted)

Parameter	Test Condition	Symbol	64Mb	128Mb	256Mb	Unit	Note
			max.	max.	max.		
Operating current $t_{RC} = t_{RC(MIN.)}$, $t_{CK} = t_{CK(MIN.)}$ Outputs open, Burst Length = 4, CL = 3. All banks operated in random access, all banks operated in ping-pong manner to maximize gapless data access	—	I_{CC1}	110	150	210	mA	2)
Precharge stand-by current in Power Down Mode $\overline{CS} = V_{IH(MIN.)}$, $CKE \leq V_{IL(MAX.)}$	$t_{CK} = \text{min.}$	I_{CC2P}	2	2	2	mA	2)
No operating current $t_{CK} = \text{min.}$, $\overline{CS} = V_{IH(MIN.)}$, active state (max. 4 banks)	$CKE \geq V_{IH(MIN.)}$	I_{CC3N}	45	45	45	mA	2)
	$CKE \leq V_{IL(MAX.)}$	I_{CC3P}	8	10	10	mA	2)
Burst operating current $t_{CK} = \text{min.}$, Read command cycling	—	I_{CC4}	70	90	120	mA	2), 3)
Auto refresh current $t_{CK} = \text{min.}$, Auto Refresh command cycling	—	I_{CC5}	130	210	240	mA	2)
Self refresh current Self Refresh Mode, $CKE = 0.2\text{ V}$	—	I_{CC6}	1	1.5	2.5	mA	2)

AC Characteristics (SDRAM Device Specification) ^{4), 5)}

$T_A = 0$ to 70 °C ¹⁾; $V_{SS} = 0$ V; $V_{DD} = 3.3$ V \pm 0.3 V, $t_T = 1$ ns

Parameter	Symbol	Limit Values				Unit	Note
		-8 PC100-222		-8A PC100-322			
		min.	max.	min.	max.		

Clock and Access times

Clock Cycle Time $\overline{\text{CAS}}$ Latency = 3 $\overline{\text{CAS}}$ Latency = 2	t_{CK}	10	–	10	–	ns	–
		10	–	15	–	ns	–
Clock Frequency $\overline{\text{CAS}}$ Latency = 3 $\overline{\text{CAS}}$ Latency = 2	f_{CK}	–	100	–	100	MHz	–
		–	100	–	66	MHz	–
Access Time from Clock $\overline{\text{CAS}}$ Latency = 3 $\overline{\text{CAS}}$ Latency = 2	t_{AC}	–	6	–	6	ns	–
		–	6	–	6	ns	–
Clock High Pulse Width	t_{CH}	3	–	3	–	ns	–
Clock Low Pulse Width	t_{CL}	3	–	3	–	ns	–
Transition Time	t_T	0.5	10	0.5	10	ns	–

Setup and Hold Parameters

Input Setup Time	t_{IS}	2	–	2	–	ns	–
Input Hold Time	t_{IH}	1	–	1	–	ns	–
Power Down Mode Entry Time	t_{SB}	–	1	–	1	CLK	–
Power Down Mode Exit Setup Time	t_{PDE}	1	–	1	–	CLK	–
Mode Register Set-up Time	t_{RSC}	2	–	2	–	CLK	–
Transition Time	t_T	0.5	10	0.5	10	ns	–

Common Parameters

Row to Column Delay Time	t_{RCD}	20	–	20	–	ns	–
Row Precharge Time	t_{RP}	20	–	20	–	ns	–
Row Active Time	t_{RAS}	45	100k	60	100k	ns	–
Row Cycle Time	t_{RC}	70	–	70	–	ns	–
Activate (a) to Activate (b) Command Period	t_{RRD}	2	–	2	–	CLK	–
$\overline{\text{CAS}}$ (a) to $\overline{\text{CAS}}$ (b) Command Period	t_{CCD}	1	–	1	–	CLK	–

AC Characteristics (SDRAM Device Specification) (cont'd) ^{4), 5)}

$T_A = 0$ to 70 °C ¹⁾; $V_{SS} = 0$ V; $V_{DD} = 3.3$ V \pm 0.3 V, $t_T = 1$ ns

Parameter	Symbol	Limit Values				Unit	Note
		-8 PC100-222		-8A PC100-322			
		min.	max.	min.	max.		

Refresh Cycle

Refresh Period	t_{REF}	–	64	–	64	ms	–
Self Refresh Exit Time	t_{SREX}	1	–	1	–	CLK	⁶⁾

Read Cycle

Data Out Hold Time	t_{OH}	3	–	3	–	ns	–
Data Out to Low Impedance	t_{LZ}	0	–	0	–	ns	⁷⁾
Data Out to High Impedance	t_{HZ}	3	8	3	8	ns	⁷⁾
DQM Data Out Disable Latency	t_{DQZ}	–	2	–	2	CLK	–

Write Cycle

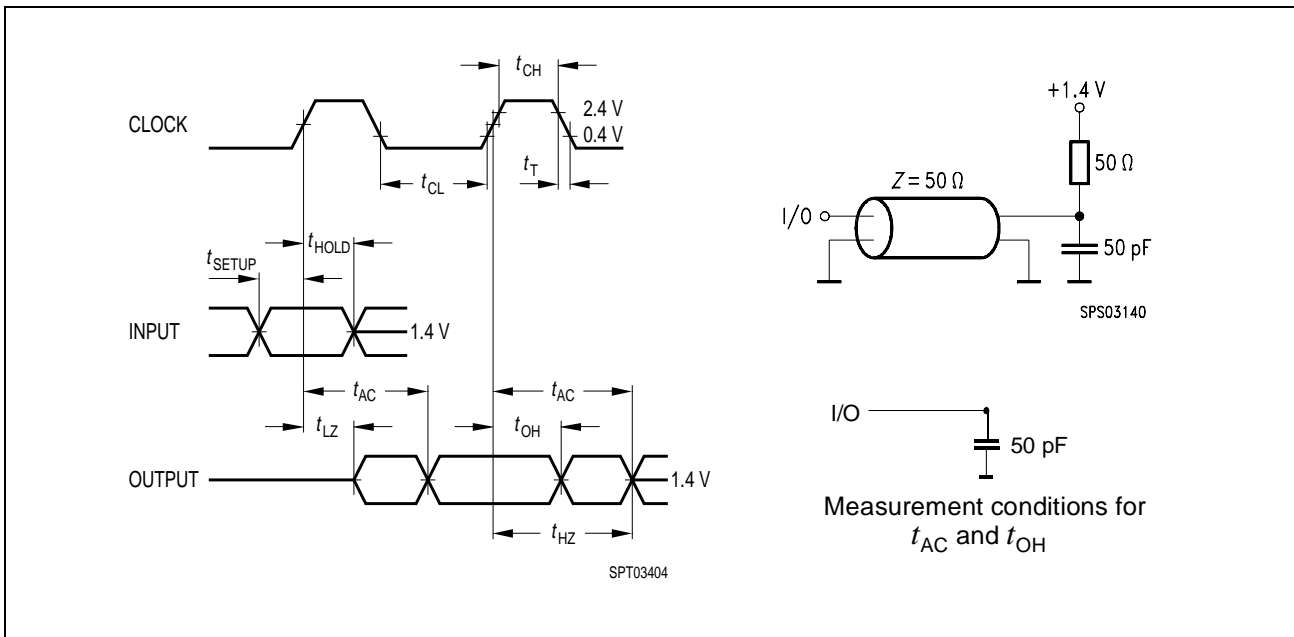
Data Input to Precharge (write recovery)	t_{WR}	2	–	2	–	CLK	–
DQM Write Mask Latency	t_{DQW}	0	–	0	–	CLK	–

Clock Frequency and Latency (Registered DIMM Module Specification) ⁸⁾

Parameter		Symbol	-8	-8A	Unit	Notes
Clock Frequency	max.	t_{CK}	100	100	MHz	–
Clock Cycle Time	min.	t_{CK}	10	10	ns	–
\overline{CAS} Latency	min.	t_{AA}	3	4	CLK	⁹⁾
\overline{RAS} to \overline{CAS} Delay	min.	t_{RCD}	2	2	CLK	–
\overline{RAS} Latency	min.	t_{RL}	6	7	CLK	⁹⁾
Precharge Time	min.	t_{RP}	2	2	CLK	–
Data In to Precharge	min.	t_{DPL}	2	2	CLK	–
Data In to Active/Refresh	min.	t_{DAL}	5	5	CLK	–
Bank to Bank Delay Time	min.	t_{RRD}	2	2	CLK	–
\overline{CAS} to \overline{CAS} Delay Time	min.	t_{CCD}	1	1	CLK	–
Write Latency	fixed	t_{WL}	1	1	CLK	⁹⁾
DQM Write Mask Latency	fixed	t_{DQW}	1	1	CLK	–
DQM Data Disable Latency	fixed	t_{DQZ}	1	1	CLK	–
Clock Suspend Latency	fixed	t_{CSL}	1	1	CLK	⁹⁾

Notes

1. The registered DIMM modules are designed to operate under system operating conditions between 0-55 deg C ambient, 500 MB/sec sustained bandwidth and 0 LFM airflow.
2. These parameters depend on the cycle rate. All values are measured at 100 MHz operation frequency. Input signals are changed once during tck excepts for Icc6 and for standby currents when tck = infinity.
3. These parameters are measured with continuous data stream during read access and all DQ toggling. CL=3 and BL=4 is assumed and the Vcc current is excluded.
4. An initial pause of 100 μs is required after power-up. Then a Precharge All Banks command must be given followed by eight Auto Refresh (CBR) cycles before the Mode Register Set Operation can begin. Also the on-DIMM PLL must be given enough clock cycles to stabilize before any operation can be guaranteed.
5. AC timing tests have $V_{IL} = 0.8\text{ V}$ and $V_{IH} = 2.0\text{ V}$ with the timing referenced to the 1.4 V crossover point. The transition time is measured between V_{IH} and V_{IL} . All AC measurements assume $t_T = 1\text{ ns}$ with the AC output load circuit shown. Specified t_{AC} and t_{OH} parameters are measured with a 50 pF only, without any resistive termination and with a input signal of 1 V/ns edge rate between 0.8 V and 2.0 V.
6. Self Refresh Exit is a synchronous operation and begins on the second positive clock edge after CKE returns high. Self Refresh Exit is not complete until a time period equal to t_{RC} is satisfied after the Self Refresh Exit command is registered.
7. Referenced to the time at which the output achieves the open circuit condition, not to output voltage levels.
8. Due to the usage of a register device on all input and address signals, all external command cycle are delayed by one clock (Reg-DIMM Latency = 1) on the module board.
9. Delayed by one clock cycle due to the use of the register device.



A serial presence detect storage device - E²PROM 34C02 - is assembled onto the module. Information about the module configuration, speed, etc. is written into the E²PROM device during module production using a serial presence detect protocol (I²C synchronous 2-wire bus)

SPD-Table for -8 Registered DIMM Modules with PLL

Byte#	Description	SPD Entry Value	Hex							
			64 MB 1 Bank -8	128 MB 1 Bank -8 1)	128 MB 1 Bank -8 2)	256 MB 1 Bank-8 *)	256 MB 1 Bank-8 **)	512 MB 1 Bank -8	1 GB 2 Banks -8	
0	Number of SPD Bytes	128	80							
1	Total Bytes in Serial PD	256	08							
2	Memory Type	SDRAM	04							
3	Number of Row Addresses (without BS bits)	12/13	0C	0C	0C	0C	0D	0D	0D	
4	Number of Column Addresses	9/10/11	09	0A	0A	0B	0A	0B	0B	
5	Number of DIMM Banks	1	01	01	01	01	01	01	02	
6	Module Data Width	72	48							
7	Module Data Width (cont'd)	0	00							
8	Module Interface Levels	LVTTL	01							
9	Cycle Time at CL = 3	10.0 ns	A0							
10	Access Time from Clock at CL = 3	6.0 ns	60							
11	DIMM Config (Error Det/ Corr.)	ECC	02							
12	Refresh Rate/Type	Self-Refresh, 15.6/7.8 μ s	80	80	80	80	82	82	82	
13	SDRAM Width, Primary	x4, x8	08	04	08	04	08	04	04	
14	Error Checking SDRAM Data Width	n/a/x4	08	04	08	04	08	04	04	
15	Minimum t_{CCD}	1 CLK	01							
16	Burst Length Supported	1, 2, 4, 8 & (full page)	8F	8F	0F	0F	0F	0F	0F	
17	Number of SDRAM Banks	4	04							
18	SDRAM Supported CAS Latencies	2 & 3	06							
19	SDRAM CS Latencies	0	01							
20	SDRAM WE Latencies	0	01							
21	SDRAM DIMM Module Attributes	with PLL	16							
22	SDRAM Device Attributes	V_{DD} tol +/- 10%	0E							

SPD-Table for -8 Registered DIMM Modules with PLL (cont'd)

Byte#	Description	SPD Entry Value	Hex							
			64 MB 1 Bank -8	128 MB 1 Bank -8 1)	128 MB 1 Bank -8 2)	256 MB 1 Bank-8 *)	256 MB 1 Bank-8 **)	512 MB 1 Bank -8	1 GB 2 Banks -8	
23	Min. Clock Cycle Time at CL = 2	10 ns	A0							
24	Max. Data Access Time from Clock for CL = 2	6 ns	60							
25	Min. Clock Cycle Time at CL = 1	not supp.	FF							
26	Max. Data Access Time from Clock at CL = 1	not supp.	FF							
27	SDRAM Minimum t_{RP}	20 ns	14							
28	SDRAM Minimum t_{RRD}	16 ns	10							
29	SDRAM Minimum t_{RCD}	20 ns	14							
30	SDRAM Minimum t_{RAS}	45 ns	2D							
31	Module Bank Density (per bank)	64/128/256/512 MByte	10	20	20	40	40	80	80	
32	SDRAM Input Setup Time	2 ns	20							
33	SDRAM Input Hold Time	1 ns	10							
34	SDRAM Data Input Setup Time	2 ns	20							
35	SDRAM Data Input Hold Time	1 ns	10							
36-61	Superset Information (may be used in future)	–	FF							
62	SPD Revision	1.2	12							
63	Checksum for Bytes 0 - 62	–	08	11	99	BA	BC	F5	F6	
64-125	Manufacturer's Information	–	XX							
126	Frequency Specification	100 MHz	64							
127	Details of Clocks	–	8F							
128+	Unused Storage Locations	–	FF							

1) HYS72V16200GR-8, 2) HYS72V16201GR-8, *) HYS72V32201GR, **) HYS72V32200GR

SPD-Table for -8A Registered DIMM Modules with PLL

Byte#	Description	SPD Entry Value	Hex		
			256 MB with PLL 1 Bank -8A	512 MB with PLL 1 Bank -8A	1 GB with PLL 2 Banks -8A
0	Number of SPD Bytes	128	80	80	80
1	Total Bytes in Serial PD	256	08	08	08
2	Memory Type	SDRAM	04	04	04
3	Number of Row Addresses (without BS bits)	13	0D	0D	0D
4	Number of Column Addresses	10/11	0A	0B	0B
5	Number of DIMM Banks	1	01	01	02
6	Module Data Width	72	48	48	48
7	Module Data Width (cont'd)	0	00	00	00
8	Module Interface Levels	LVTTL	01	01	01
9	Cycle Time at CL = 3	10.0 ns	A0	A0	A0
10	Access Time from Clock at CL = 3	6.0 ns	60	60	60
11	DIMM Config (Error Det/Corr.)	ECC	02	02	02
12	Refresh Rate/Type	Self-Refresh, 7.8 μ s	82	82	82
13	SDRAM Width, Primary	x4, x8	08	04	04
14	Error Checking SDRAM Data Width	n/a/x4	08	04	04
15	Minimum t_{CCD}	1 CLK	01	01	01
16	Burst Length Supported	1, 2, 4, 8 & (full page)	0F	0F	0F
17	Number of SDRAM Banks	4	04	04	04
18	SDRAM Supported CAS Latencies	2 & 3	06	06	06
19	SDRAM CS Latencies	0	01	01	01
20	SDRAM WE Latencies	0	01	01	01
21	SDRAM DIMM Module Attributes	with PLL	16	16	16
22	SDRAM Device Attributes	V_{DD} tol +/- 10%	0E	0E	0E
23	Min. Clock Cycle Time at CL = 2	15 ns	F0	F0	F0
24	Max. Data Access Time from Clock for CL = 2	6 ns	60	60	60
25	Min. Clock Cycle Time at CL = 1	not supp.	FF	FF	FF
26	Max. Data Access Time from Clock at CL = 1	not supp.	FF	FF	FF
27	SDRAM Minimum t_{RP}	20 ns	14	14	14

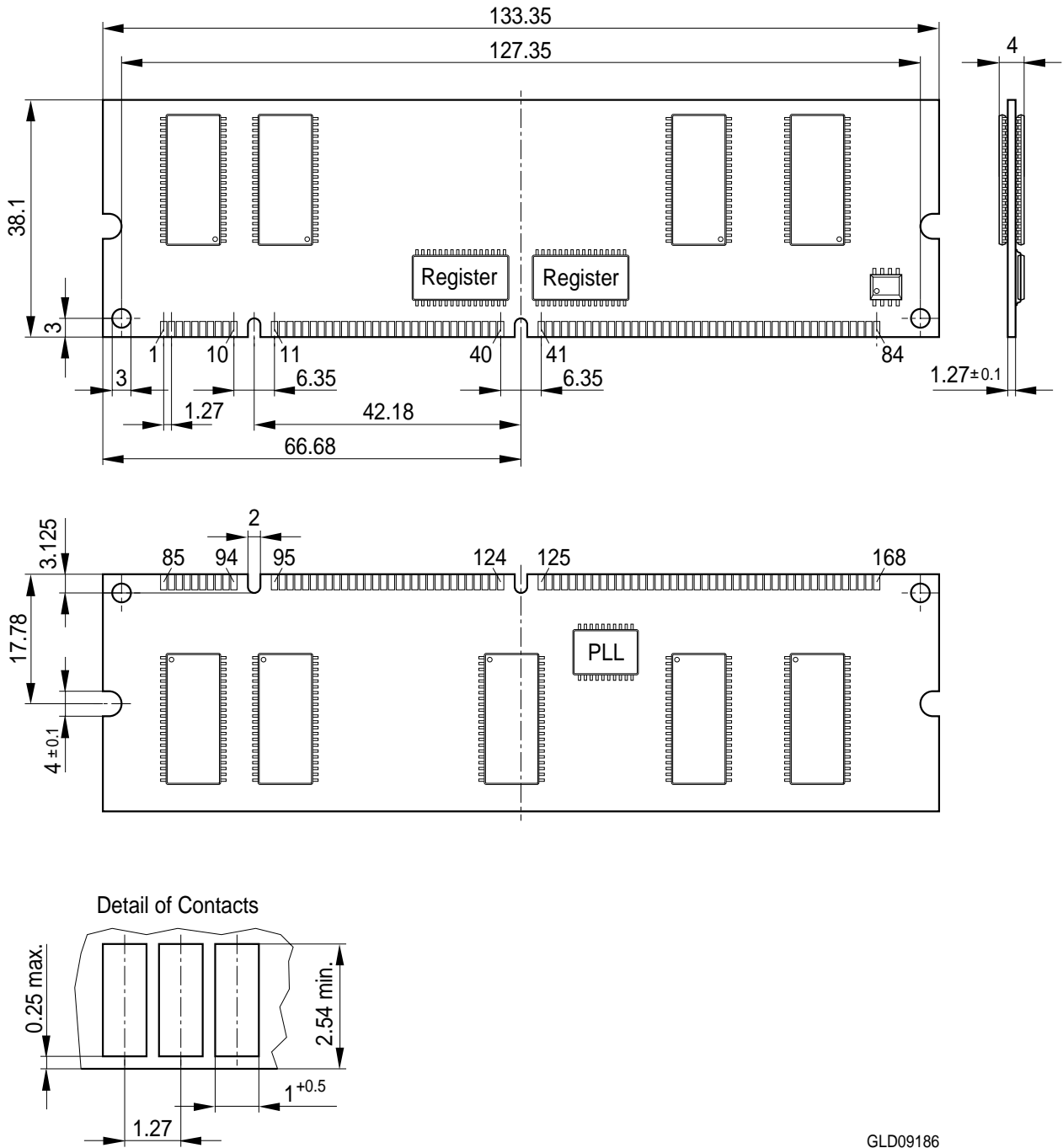
SPD-Table for -8A Registered DIMM Modules with PLL (cont'd)

Byte#	Description	SPD Entry Value	Hex		
			256 MB with PLL 1 Bank -8A	512 MB with PLL 1 Bank -8A	1 GB with PLL 2 Banks -8A
28	SDRAM Minimum t_{RRD}	20 ns	14	14	14
29	SDRAM Minimum t_{RCD}	20 ns	14	14	14
30	SDRAM Minimum t_{RAS}	60 ns	3C	3C	3C
31	Module Bank Density (per bank)	256/512 MByte	40	80	80
32	SDRAM Input Setup Time	2 ns	20	20	20
33	SDRAM Input Hold Time	1 ns	10	10	10
34	SDRAM Data Input Setup Time	2 ns	20	20	20
35	SDRAM Data Input Hold Time	1 ns	10	10	10
36-61	Superset Information (may be used in future)	–	FF	FF	FF
62	SPD Revision	1.2	12	12	12
63	Checksum for Bytes 0 - 62	–	1F	58	59
63	Manufacturer's Information	–	XX	XX	XX
64-125	Frequency Specification	100 MHz	64	64	64
127	Details of Clocks for HYS72VxxxxxGR-8A-A	–	8F	8F	8F
	Details of Clocks for HYS72VxxxxxGR-8A-B and HYS72VxxxxxGR-8A-C	–	8D	8D	8D
128+	Unused Storage Locations	–	FF	FF	FF

*) HYS72V32201GR **) HYS72V32200GR

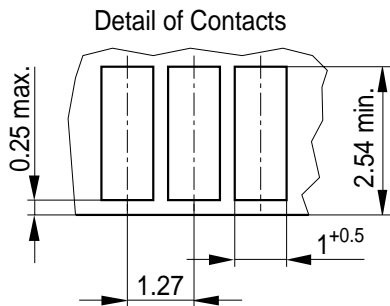
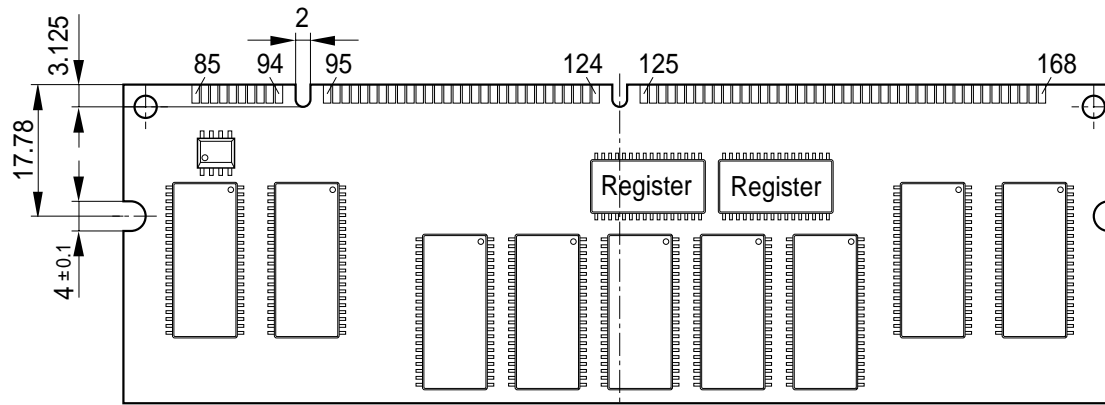
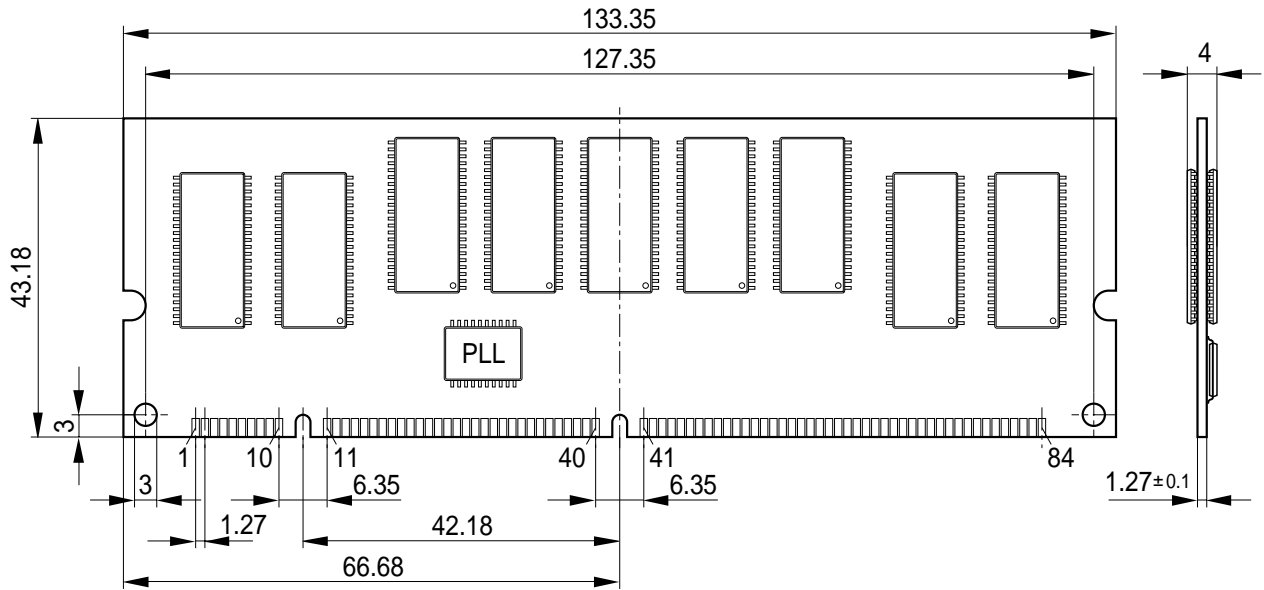
Package Outlines

Module Package
JEDEC MO-161
64 & 256 MByte Registered Module



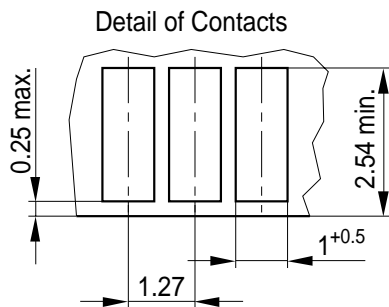
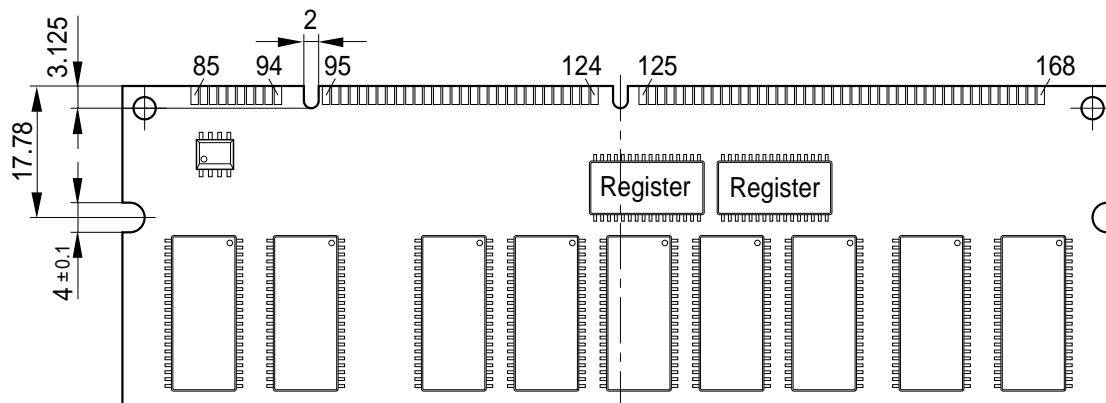
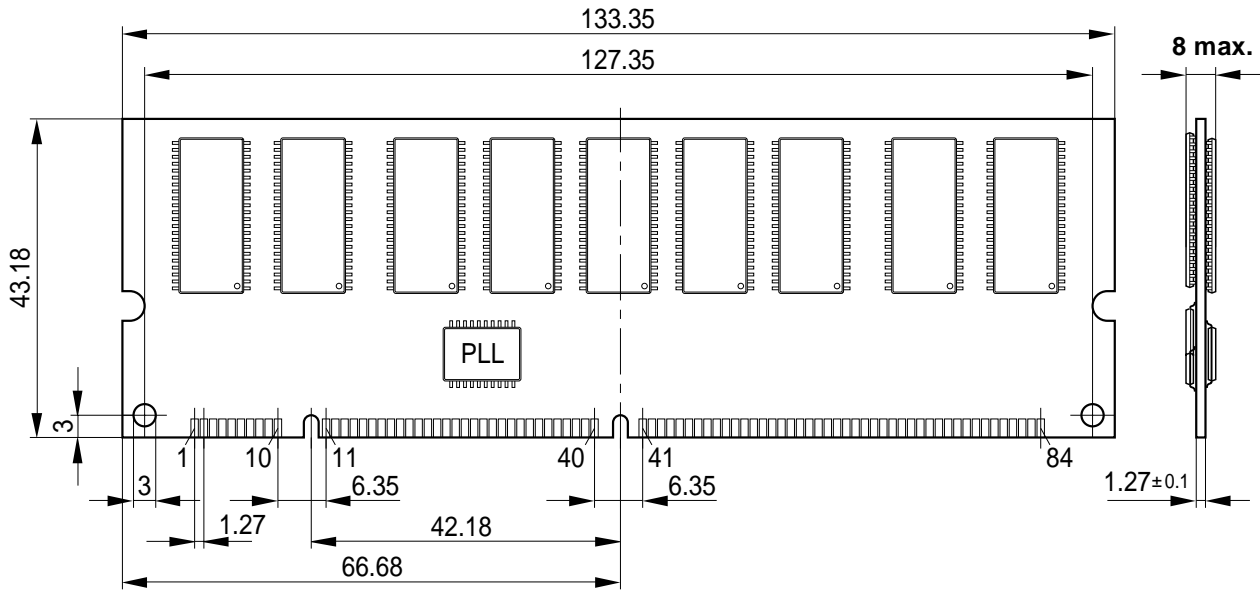
GLD09186

Module Package
JEDEC MO-161
128 & 512 MByte Registered Module



GLD09185

Module Package
JEDEC MO-161
256 MByte & 1 GByte Registered DIMM Module with Stacked SDRAMs



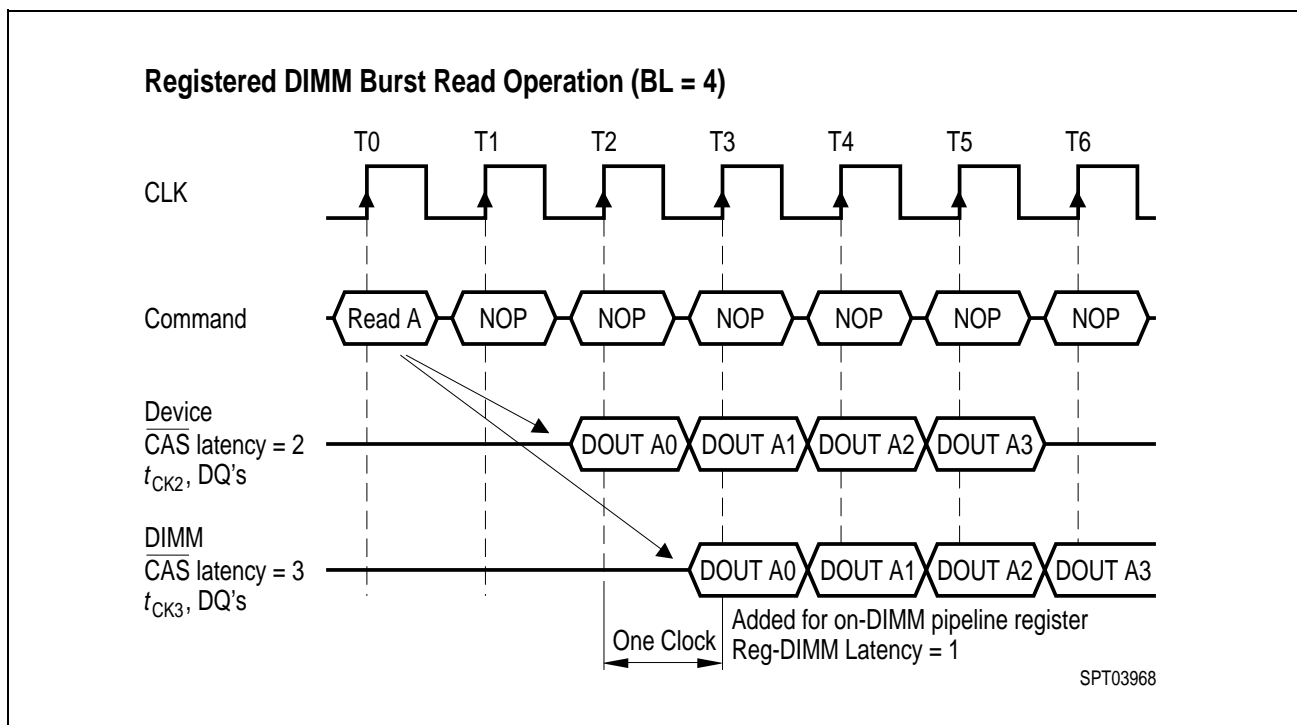
GLD09190

Functional Description

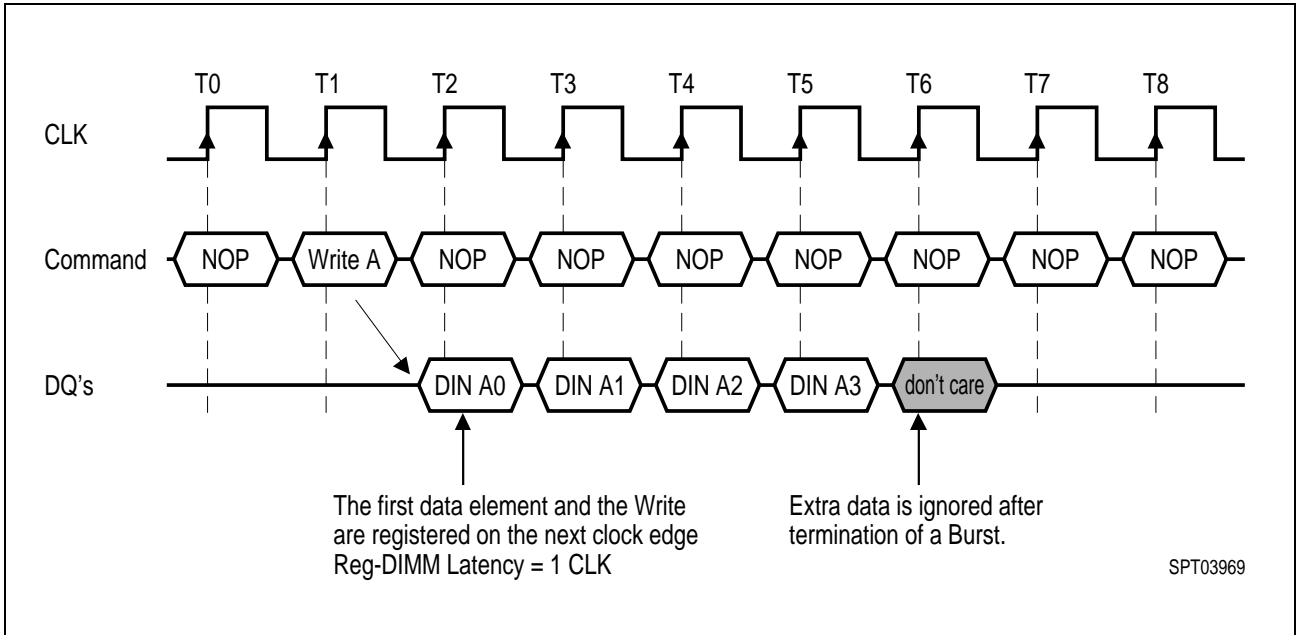
All 168-pin Registered DIMMs conform to a compatible set of timing and operation characteristics intended to comply with the 100 MHz standards. The Registered DIMMs achieve high speed data transfer rate up to 100 MHz.

All control and address signals are synchronized with the positive edge of externally supplied clocks and are registered on-DIMM and hence delayed by one clock cycle in arriving at the SDRAM devices. The use of the on-board register reduces the capacitive loading of the DIMM on input control and address signals. The SDRAM device data lines (DQ) are connected directly to the DIMM tabs through 10 Ohm series resistors. All the following timing diagrams and explanations show DIMM operation at the tabs, not SDRAM operation.

The picture below depicts an overview of the effect of the Registered Mode on the data outputs (DQs) for a Read operation. Without the registers, the data is delayed according to the device $\overline{\text{CAS}}$ latency, in the case two clocks. With the register, the data is delayed according to the device $\overline{\text{CAS}}$ latency plus an additional clock cycle. This is known as the DIMM $\overline{\text{CAS}}$ latency, and in this example is four clocks. The data path can be thought of as a pipeline in which the register effectively lengthens the pipe by one clock cycle.



In case of a Burst Write Command the data-in is delayed one clock due the on-DIMM pipeline register also. Therefore, data for the first Burst Write cycle must be applied on the DQ pins on the next clock cycle after the Write command is issued. the remaining data inputs must be supplied on each subsequent rising clock edge until the burst length is completed. When the burst has finished, any additional data supplied to the DQ pins will be ignored.



Registered DIMM Burst Write Operation (BL = 4)