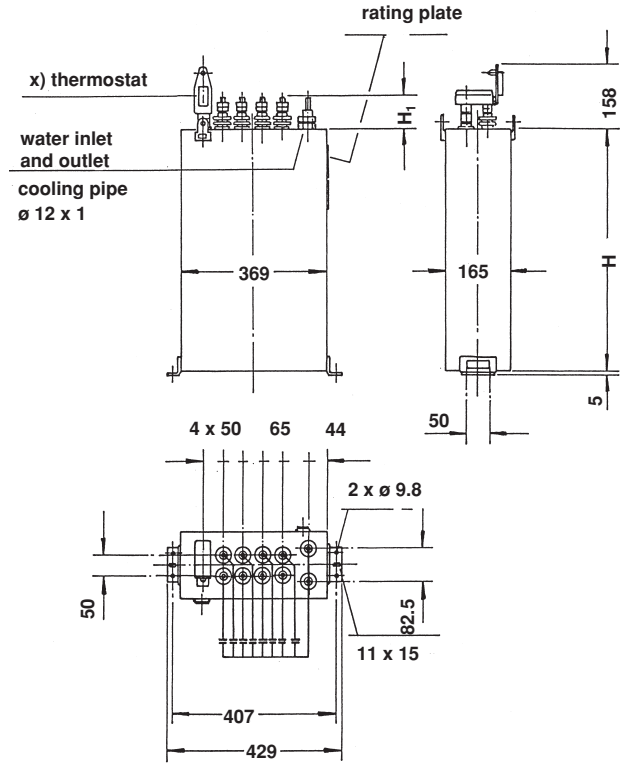


Medium Frequency Capacitors Water Cooled

ESTAFilm®, SUBDIVIDED IN PARTIAL OUTPUTS, 150 - 10000Hz

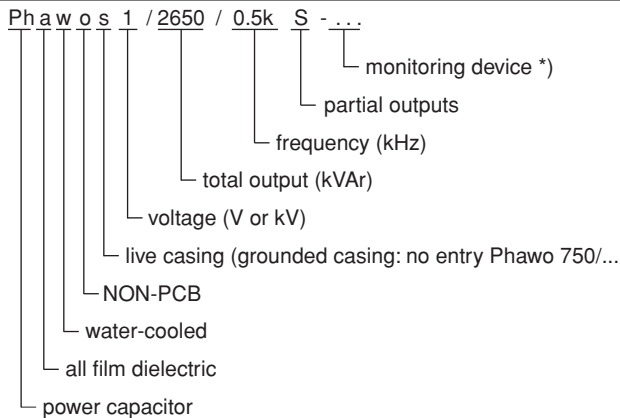
DESIGN

- All-film winding in brass sheet welded casing;
- Casing conductive, or grounded;
- Casing varnish RAL 7033;
- IP00, indoor;
- Ambient temperature 1°C 50°C;
- Outflowing water temperature 40°C maximum;
- Common terminal with 2 water-cooled current connections M20;
- Water tubing conductive;
- A maximum of 8 partial outputs with connection bolts M12 or M20 (depending on application current);
- Mounting in the upright or horizontal position;
- Upon request, temperature or pressure monitoring;



x) upon request

TYPE DESIGNATION



*) - ST = thermostat } Not all types available.
 - DR = pressure switch



150-10000Hz SUBDIVIDED IN PARTIAL OUTPUTS							
F _N (Hz)	U _N (V)	Q _N (kVAr)	C _N (μF)	I _N (A)	CASING		H (mm)
					CONDUCTIVE	GROUNDED	
150	600	760	2240	1267	X	X	1000
	1000	1320	1401	1320	X	X	1000
	1500	1720	811	1147	X	X	1000
	2000	1650	438	825	X	X	1000
	2500	1300	221	520	X	X	1000
	3000	2000	236	667	X	X	1000
250	600	1000	1768	1667	X	X	950
	1000	1700	1082	1700	X	X	900
	1500	2550	722	1700	X	X	1000
	2000	2520	401	1260	X	X	1000
	2500	2000	204	800	X	X	1000
	3000	3333	236	1111	X	X	1000
300	600	1020	1503	1700	X	X	800
	1000	1760	934	1760	X	X	1000
	1500	2550	601	1700	X	X	950
	2000	3000	398	1500	X	X	1000
	2500	2240	190	896	X	X	1000
	3000	3950	233	1317	X	X	1000
500	600	4000	236	1333	X		1000
	250	420	2139	1680	X	X	950
	600	1320	1167	2200	X	X	950
	600	1460	1291	2433	X		1000
	1000	2200	700	2200	X	X	800
	1000	2650	844	2650	X		900
600	1500	3300	467	2200	X	X	950
	1500	3600	509	2400	X		1000
	2000	3600	287	1800	X	X	1000
	2500	3000	153	1200	X	X	950
	3000	6000	212	2000	X	X	950
	250	420	1783	1680	X	X	850
1000	600	1320	973	2200	X	X	800
	600	1560	1149	2600	X		900
	1000	2200	584	2200	X	X	700
	1000	2650	703	2650	X		800
	1500	3300	389	2200	X	X	800
	1500	4000	472	2667	X		950
1000	2000	4160	276	2080	X	X	1000
	2500	3400	144	1360	X	X	1000
	3000	6000	177	2000	X	X	800
	250	550	1401	2200	X	X	850
	250	660	1681	2640	X		1000
	600	1320	584	2200	X	X	600
1000	600	1600	707	2667	X		700
	750	1650	467	2200	X	X	500
	750	1980	560	2640	X		600
	1000	2200	350	2200	X	X	500
	1000	2650	422	2650	X		550
	1500	3300	233	2200	X	X	600
1000	1500	3950	279	2633	X		650
	2000	4400	175	2200	X	X	750
	2000	5300	211	2650	X		850
	2450	4900	130	2000	X	X	1000

150-10000Hz SUBDIVIDED IN PARTIAL OUTPUTS

F _N (Hz)	U _N (V)	Q _N (kVA _r)	C _N (μF)	I _N (A)	CASING		H (mm)	
					CONDUCTIVE	GROUNDED		
2000	250	500	637	2000	X	X	450	
	250	660	840	2640	X		550	
	600	1200	265	2000	X	X	350	
	600	1600	354	2667	X		400	
	750	1500	212	2000	X	X	350	
	750	2000	283	2667	X		400	
	1000	2000	159	2000	X	X	300	
	1000	2650	211	2650	X		350	
	1500	3000	106	2000	X	X	350	
	1500	3975	141	2650	X		450	
	2000	4000	80	2000	X	X	450	
	2000	5300	105	2650	X		550	
	2400	4800	66	2000	X	X	600	
	2400	6360	88	2650	X		700	
	3000	250	480	407	1920	X	X	350
250		660	560	2640	X		400	
600		1160	171	1933	X	X	300	
600		1600	236	2667	X		350	
750		1470	139	1960	X	X	250	
750		2000	189	2667	X		350	
1000		1950	104	1950	X	X	300	
1000		2650	141	2650	X		350	
1500		2940	69	1960	X	X	300	
1500		3960	93	2640	X		350	
4000		250	470	299	1880	X	X	300
		250	660	420	2640	X		350
		600	1120	124	1867	X	X	250
		600	1600	177	2667	X		350
		750	1400	99	1867	X	X	250
	750	1980	140	2640	X		300	
	1000	1900	76	1900	X	X	250	
	1000	2650	105	2650	X		300	
	1500	2840	50	1893	X	X	250	
	1500	3960	70	2640	X		300	
	5000	250	460	234	1840	X	X	250
		250	640	326	2560	X		300
		600	1100	97	1833	X	X	250
		600	1520	134	2533	X		300
		1000	1850	59	1850	X	X	250
1000		2560	81	2560	X		250	
1500		2770	39	1847	X	X	300	
1500		3840	54	2560	X		350	
8000		250	420	134	1680	X	X	250
		250	600	191	2400	X		250
		600	1040	57	1733	X	X	200
		600	1420	78	2367	X		250
		1000	1740	35	1740	X	X	250
		1000	2400	48	2400	X		300
		1500	2600	23	1733	X	X	250
	1500	3500	31	2333	X		300	
	10000	250	420	107	1680	X	X	250
		250	570	145	2280	X		300
		500	850	54	1700	X	X	200
		500	1140	73	2280	X		250
		600	1020	45	1700	X	X	200
		600	1360	60	2267	X		250
		750	1275	36	1700	X	X	200
750		1720	49	2293	X		250	
1000		1700	27	1700	X	X	200	
1000		2300	37	2300	X		250	
1500		2550	18	1700	X	X	250	
1500		3400	24	2267	X		300	

Shown are the maximum power ratings, other power ratings, voltages, and frequencies on request.