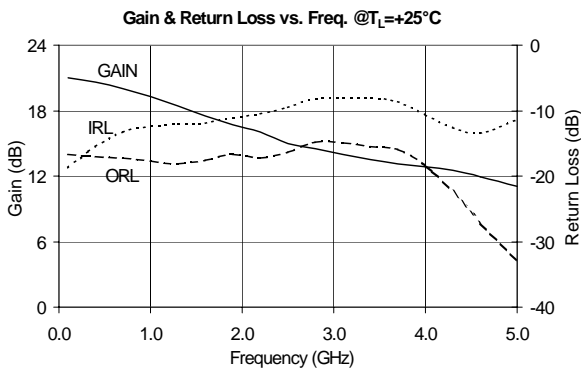




Product Description

The SGA-2486 is a high performance SiGe HBT MMIC Amplifier. A Darlington configuration featuring 1 micron emitters provides high F_T and excellent thermal performance. The heterojunction increases breakdown voltage and minimizes leakage current between junctions. Cancellation of emitter junction non-linearities results in higher suppression of intermodulation products. Only 2 DC-blocking capacitors, a bias resistor and an optional RF choke are required for operation.

The matte tin finish on Sirenza's lead-free package utilizes a post annealing process to mitigate tin whisker formation and is RoHS compliant per EU Directive 2002/95. This package is also manufactured with green molding compounds that contain no antimony trioxide nor halogenated fire retardants.



Symbol	Parameter	Units	Frequency	Min.	Typ.	Max.
G	Small Signal Gain	dB	850 MHz	17.8	19.8	21.8
		dB	1950 MHz		16.7	
		dB	2400 MHz		15.3	
P _{1dB}	Output Power at 1dB Compression	dBm	850 MHz		8.4	
		dBm	1950 MHz		7.5	
OIP ₃	Output Third Order Intercept Point	dBm	850 MHz		20.0	
		dBm	1950 MHz		20.8	
Bandwidth	Determined by Return Loss (>8dB)	MHz			5000	
IRL	Input Return Loss	dB	1950 MHz		10.9	
ORL	Output Return Loss	dB	1950 MHz		16.5	
NF	Noise Figure	dB	1950 MHz		3.2	
V _D	Device Operating Voltage	V		2.4	2.7	3.0
I _D	Device Operating Current	mA		17	20	23
R _{TH} , j-l	Thermal Resistance (junction to lead)	°C/W			97	

Test Conditions:

$V_S = 5 \text{ V}$

$I_D = 20 \text{ mA Typ.}$

$OIP_3 \text{ Tone Spacing} = 1 \text{ MHz, } P_{out} \text{ per tone} = -10 \text{ dBm}$

$R_{BIAS} = 120 \text{ Ohms}$

$T_L = 25^\circ\text{C}$

$Z_S = Z_L = 50 \text{ Ohms}$

SGA-2486

SGA-2486



DC-5000 MHz, Cascadable SiGe HBT MMIC Amplifier



Product Features

- Now available in Lead Free, RoHS Compliant, & Green Packaging
- High Gain : 16.7 dB at 1950 MHz
- Cascadable 50 Ohm
- Operates From Single Supply
- Low Thermal Resistance Package

Applications

- PA Driver Amplifier
- Cellular, PCS, GSM, UMTS
- IF Amplifier
- Wireless Data, Satellite

Typical RF Performance at Key Operating Frequencies

Symbol	Parameter	Unit	Frequency (MHz)					
			100	500	850	1950	2400	3500
G	Small Signal Gain	dB		20.4	19.8	16.7	15.3	
OIP ₃	Output Third Order Intercept Point	dBm		20.7	20.0	20.8	21.2	
P _{1dB}	Output Power at 1dB Compression	dBm		8.0	8.4	7.5	7.1	
IRL	Input Return Loss	dB	18.6	14.6	12.7	10.9	9.8	8.2
ORL	Output Return Loss	dB	16.7	16.9	17.4	16.5	16.9	15.7
S	Reverse Isolation	dB	23.2	23.2	23.1	22.8	22.6	21.3
NF	Noise Figure	dB		2.7	2.7	3.2	3.3	

Test Conditions: $V_S = 5\text{ V}$, $I_D = 20\text{ mA Typ.}$, OIP₃ Tone Spacing = 1 MHz, Pout per tone = -10 dBm
 $R_{BIAS} = 120\text{ Ohms}$, $T_L = 25^\circ\text{C}$, $Z_S = Z_L = 50\text{ Ohms}$

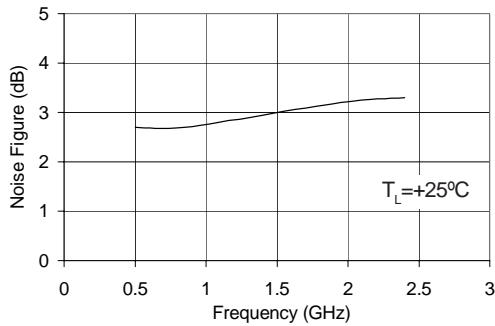
Absolute Maximum Ratings

Parameter	Absolute Limit
Max. Device Current (I _D)	40 mA
Max. Device Voltage (V _D)	5 V
Max. RF Input Power	+18 dBm
Max. Junction Temp. (T _J)	+150°C
Operating Temp. Range (T _L)	-40°C to +85°C
Max. Storage Temp.	+150°C

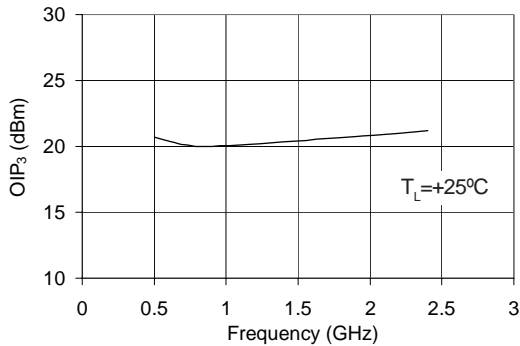
Operation of this device beyond any one of these limits may cause permanent damage. For reliable continuous operation, the device voltage and current must not exceed the maximum operating values specified in the table on page one.

Bias conditions should also satisfy the following expression:
 $I_D V_D < (T_J - T_L) / R_{TH} \text{ J-I}$

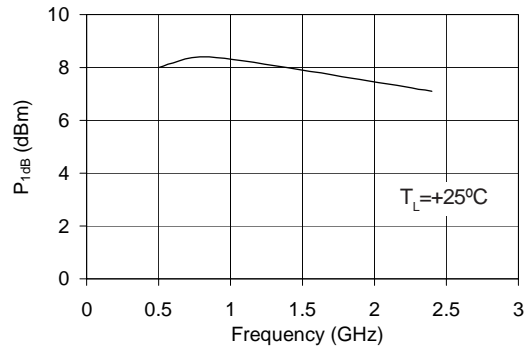
Noise Figure vs. Frequency
 $V_D = 2.7\text{ V}, I_D = 20\text{ mA}$



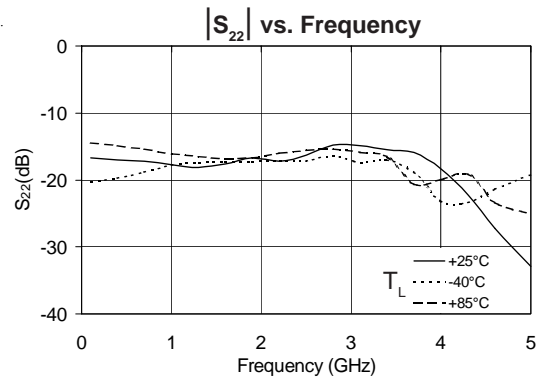
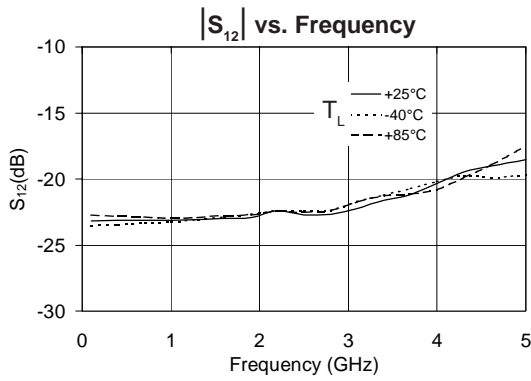
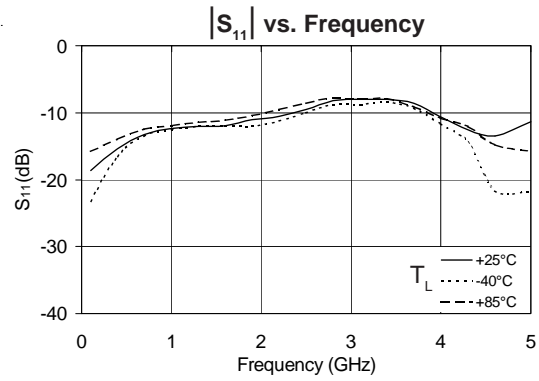
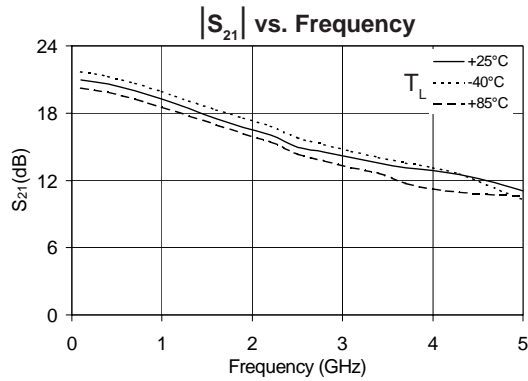
OIP₃ vs. Frequency
 $V_D = 2.7\text{ V}, I_D = 20\text{ mA}$



P_{1dB} vs. Frequency
 $V_D = 2.7\text{ V}, I_D = 20\text{ mA}$

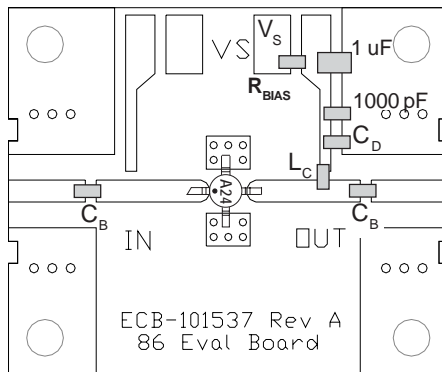
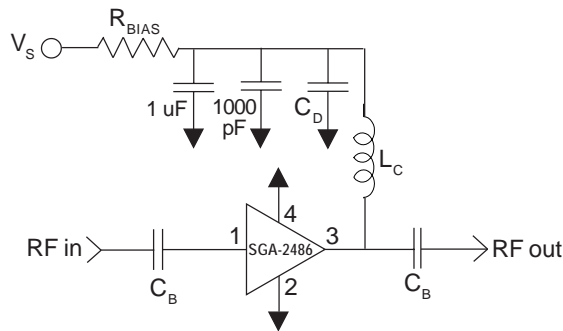


Typical RF Performance Over Temperature (Bias: $V_D = 2.7$ V, $I_D = 20$ mA (Typ.))

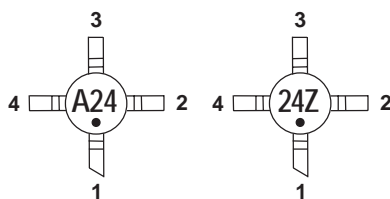


NOTE: Full S-parameter data available at www.sirenza.com

Basic Application Circuit



Part Identification Marking



Caution: ESD sensitive
Appropriate precautions in handling, packaging and testing devices must be observed.

**See Application Note AN-075
for Package Outline Drawing**

Application Circuit Element Values

Reference Designator	Frequency (MHz)				
	500	850	1950	2400	3500
C _B	220 pF	100 pF	68 pF	56 pF	39 pF
C _D	100 pF	68 pF	22 pF	22 pF	15 pF
L _C	68 nH	33 nH	22 nH	18 nH	15 nH

Recommended Bias Resistor Values for I_b=20mA

$$R_{BIAS} = (V_S - V_D) / I_D$$

Supply Voltage (V _S)	5 V	6 V	8 V	10 V
R _{BIAS}	120 Ω	160 Ω	270 Ω	360 Ω

Note: R_{BIAS} provides DC bias stability over temperature.

Mounting Instructions

1. Use a large ground pad area under device pins 2 and 4 with many plated through-holes as shown.
3. We recommend 1 or 2 ounce copper. Measurements for this data sheet were made on a 31 mil thick FR-4 board with 1 ounce copper on both sides.

Pin #	Function	Description
1	RF IN	RF input pin. This pin requires the use of an external DC blocking capacitor chosen for the frequency of operation.
2, 4	GND	Connection to ground. Use via holes for best performance to reduce lead inductance as close to ground leads as possible.
3	RF OUT/BIAS	RF output and bias pin. DC voltage is present on this pin, therefore a DC blocking capacitor is necessary for proper operation.

Part Number Ordering Information

Part Number	Reel Size	Devices/Reel
SGA-2486	13"	3000
SGA-2486Z	13"	3000