

PLEASE CHECK WWW.MOLEX.COM FOR LATEST PART INFORMATION

Part Number: [0532610271](#)
Status: **Active**
Overview: [picoblade](#)
Description: 1.25mm (.049") Pitch PicoBlade™ Header, Surface Mount, Right Angle, Lead-free, 2 Circuits

Documents:

[3D Model](#) [Product Specification PS-51021-024 \(PDF\)](#)
[Drawing \(PDF\)](#) [RoHS Certificate of Compliance \(PDF\)](#)

Agency Certification

CSA LR19980
 UL E29179

General

Product Family PCB Headers
 Series [53261](#)
 Application Wire-to-Board
 MolexKits Yes
 Overview [picoblade](#)
 Product Name PicoBlade™

Physical

Breakaway No
 Circuits (Loaded) 2
 Circuits (maximum) 2
 Color - Resin Natural
 Durability (mating cycles max) 30
 First Mate / Last Break No
 Flammability 94V-0
 Glow-Wire Compliant No
 Guide to Mating Part Yes
 Keying to Mating Part None
 Lock to Mating Part Yes
 Mated Height (in) 0.134 In
 Mated Height (mm) 3.40 mm
 Material - Metal Phosphor Bronze
 Material - Plating Mating Tin
 Material - Plating Termination Tin
 Material - Resin High Temperature Thermoplastic
 Number of Rows 1
 Orientation Right Angle
 PCB Locator No
 PCB Retention Yes
 Packaging Type Embossed Tape on Reel
 Pitch - Mating Interface (in) 0.049 In
 Pitch - Mating Interface (mm) 1.25 mm
 Plating min: Mating (µin) 40
 Plating min: Mating (µm) 1
 Plating min: Termination (µin) 40
 Plating min: Termination (µm) 1
 Polarized to PCB Yes
 Shrouded Fully
 Stackable No
 Temperature Range - Operating -40°C to +85°C
 Termination Interface: Style Surface Mount

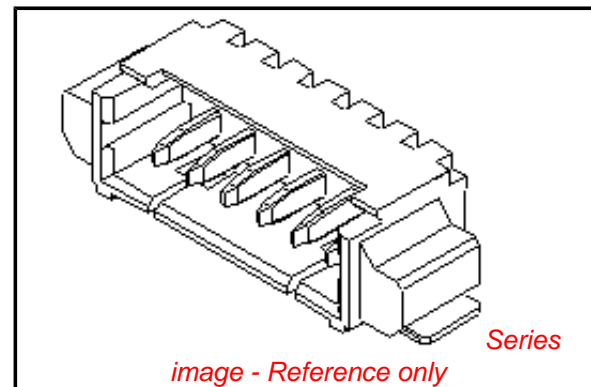


image - Reference only

EU RoHS

**ELV and RoHS
 Compliant**
**REACH SVHC
 Contains SVHC: No**
**Halogen-Free
 Status**

China RoHS



**Need more information on product
 environmental compliance?**

Email productcompliance@molex.com
 For a multiple part number RoHS Certificate of Compliance, [click here](#)

Please visit the [Contact Us](#) section for any non-product compliance questions.

Search Parts in this Series

[53261Series](#)

Mates With

[51021](#) PicoBlade™ Wire-to-Wire and Wire-to-Board Housing

Electrical

Current - Maximum per Contact

1A

Voltage - Maximum

125V

Material Info**Reference - Drawing Numbers**

Packaging Specification

SPK-53261-001, SPK-53261-002

Product Specification

PS-51021-024, RPS-51021-015, RPS-51021-036,
RPS-51021-038, RPS-51021-039, RPS-51021-040,
RPS-51021-042, RPS-51021-043, RPS-51021-045,
RPS-51021-046, RPS-51021-047, RPS-51021-051,
RPS-51021-053, RPS-51021-054, RPS-51021-057,
RPS-51021-058, RPS-51021-061, RPS-51021-062,
RPS-51021-066, RPS-51021-067, RPS-51021-068,
RPS-51021-072, RPS-51021-073, RPS-51021-076,
RPS-51021-079, RPS-51021-081, RPS-51021-084,
RPS-51021-085, RPS-51021-086, RPS-51021-091,
RPS-51021-097, RPS-51021-099, RPS-51021-101,
RPS-53261-001, RPS-53261-002

Sales Drawing

SD-51021-002, SD-53261-023, SD-53261-024

This document was generated on 06/07/2010

PLEASE CHECK WWW.MOLEX.COM FOR LATEST PART INFORMATION

10 9 8 7 6 5 4 3 2 1

F

F

E

E

D

D

C

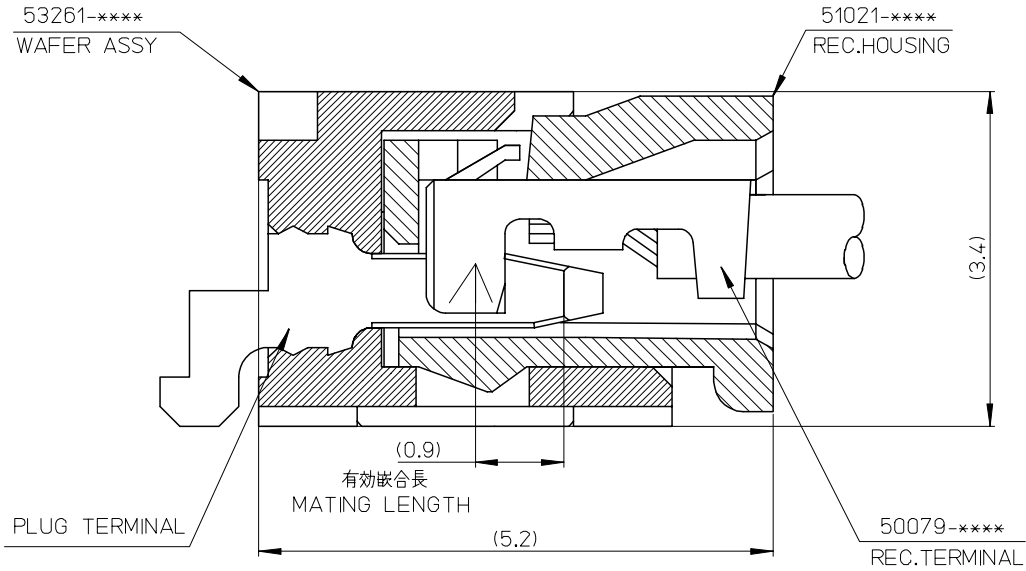
C

B

B

A

A



53261-****	WAFER ASSY	MODEL NO./MATERIAL NO.
50079-****	TERMINAL	
51021-****	HOUSING	

RELEASED EC NO: J2006-2426 DRWN: A0YAGI 2006/02/02 CHKD: YMAEDA 2006/02/03 APPR: NUKITA 2006/02/07	GENERAL TOLERANCES (UNLESS SPECIFIED)		DIMENSION STYLE MM ONLY		SCALE ---	DESIGN UNITS METRIC	THIRD ANGLE PROJECTION	
	10 UNDER	± ---	DRAWN BY Y. A0YAGI	DATE 2006/01/30	TITLE 1.25 W-TO-B CONN. 51021,53261 MATING CROSS SECTION			
	10 OVER 30 UNDER	± ---	CHECKED BY Y. MAEDA	DATE 2006/01/30	MOLEX INCORPORATED			
	30 OVER	± ---	APPROVED BY N. UKITA	DATE 2006/01/30	DOCUMENT NO. SD-51021-002			
	ANGULAR	± --- °	MATERIAL NO. SEE CHART		SHEET NO. 1 OF 1			
0	DRAFT WHERE APPLICABLE MUST REMAIN WITHIN DIMENSIONS		SIZE A3		THIS DRAWING CONTAINS INFORMATION THAT IS PROPRIETARY TO MOLEX INCORPORATED AND SHOULD NOT BE USED WITHOUT WRITTEN PERMISSION			

9

8

7

6

5

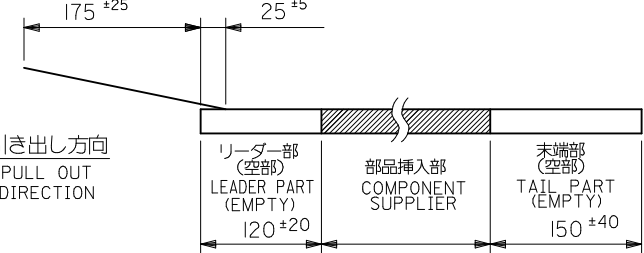
4

3

2

注記
NOTES

- 53261-**-19 の詳細寸法については図面 SD-53261-024 を参照下さい。
RE DETAILED DIMENSIONS, SEE SD-53261-024
- 梱包数量: 1000個/リール
NUMBER OF CONNECTOR: 1000PCS/REEL
- リードテープ長さ LEAD TAPE LENGTH
トップテープリーダー部 TOP TAPE LEADER PART
トップテープ未接着部 TOP TAPE NON-BONDED PART



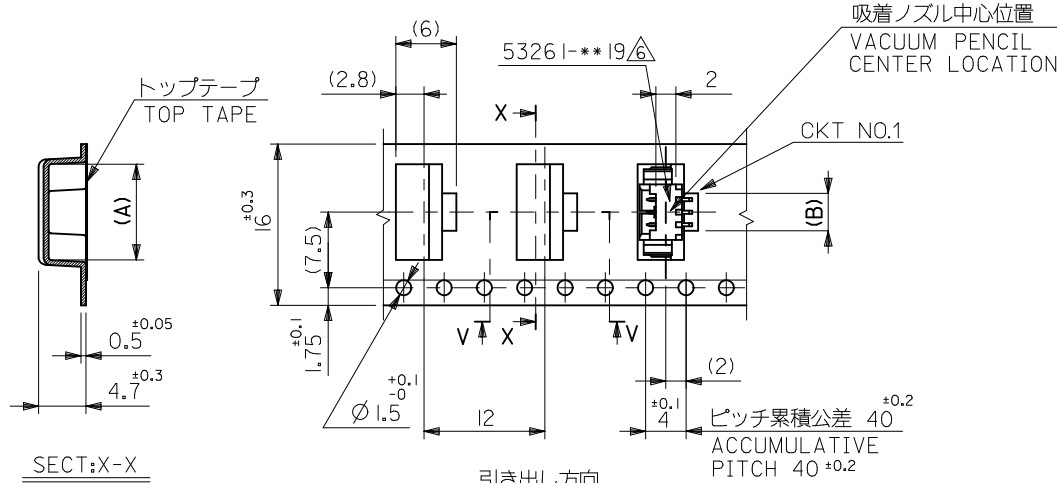
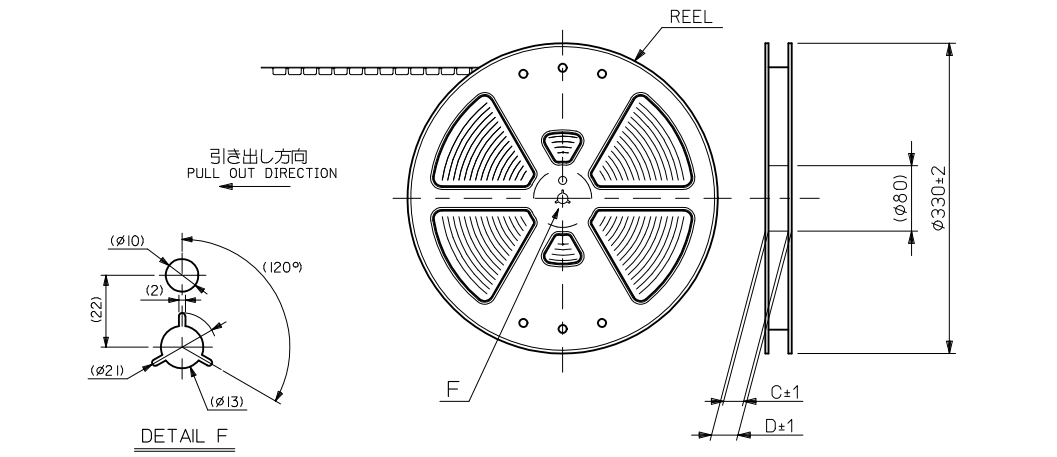
- 材料 (MATERIAL)
キャリアテープ (CARRIER TAPE): ポリプロピレン (POLYPROPYLENE)
トップテープ (TOP TAPE): PET, PE, PEF
リール (REEL): ポリスチレン (PS) <リサイクル材含む>
POLYSTYRENE (PS) <RECYCLE MATERIAL CONTAINED>

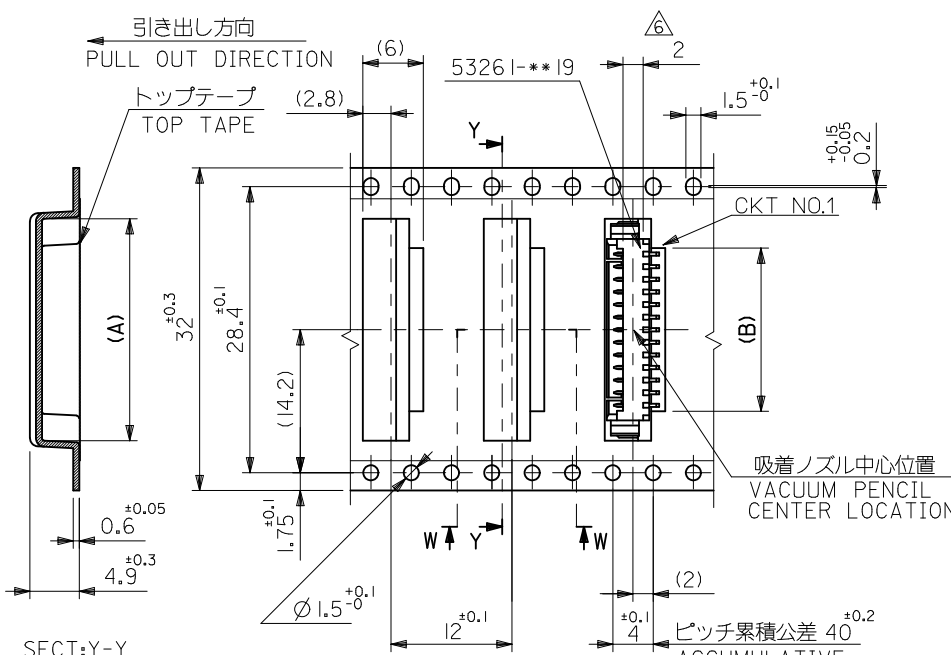
△ コネクタ、ハウジング平面部
CONNECTOR, HOUSING FLAT AREA

- 本製品は 53261-**-90 の鉛フリー品である。
THIS PRODUCT IS LEAD FREE OF 53261-**-90
- ELV及びRoHS適合品
ELV AND RoHS COMPLIANT
- 本製品は乾燥剤入り、ハイバリア梱包仕様である。
THIS PRODUCT IS HIGH BARRIER PACKAGE WITH DESICCANT.

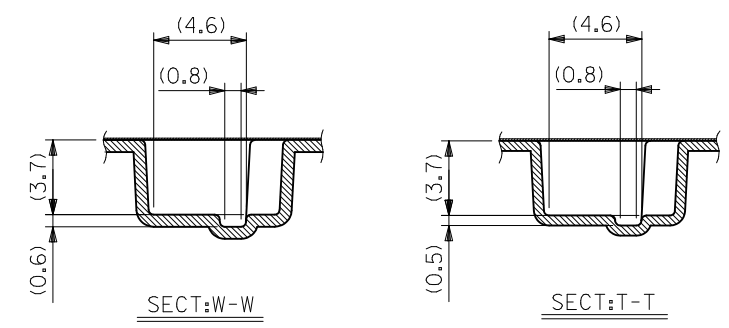
16	21.4	17.4	3.7	9.5	53261-0371	3				
			2.45	8.25	53261-0271	2				
キャリアテープ幅 CARRIER TAPE WIDTH					D	C	B	A	EMBOSSD TAPE PACKAGE オーダー番号 ORDER NO.	極数 CKT.

REVISED EC NO: D	DESCRIPTION 2010/02/17 DRWN: YGOTO CHKD: KASAKAWA APPR:	GENERAL TOLERANCES (UNLESS SPECIFIED)		DIMENSION STYLE MM ONLY		SCALE ---	DESIGN UNITS METRIC	THIRD ANGLE PROJECTION		
		10 UNDER	±0.2	DRAWN BY H. SHIMABUKUR	DATE '04/02/06	TITLE 1.25 W/B CONN WAFER ASSY FOR SMT EMBSTP PKG				
		10 OVER 30 UNDER	±0.25	CHECKED BY K. TOJO	DATE '04/02/06	APPROVED BY DATE 2010/02/18				
		30 OVER	±0.3	MATERIAL NO. SEE TABLE & SHEET 2,3		DOCUMENT NO. SD-53261-023		SHEET NO. 1 OF 3		
ANGULAR ±3 °		DRAFT WHERE APPLICABLE MUST REMAIN WITHIN DIMENSIONS		THIS DRAWING CONTAINS INFORMATION THAT IS PROPRIETARY TO MOLEX INCORPORATED AND SHOULD NOT BE USED WITHOUT WRITTEN PERMISSION						

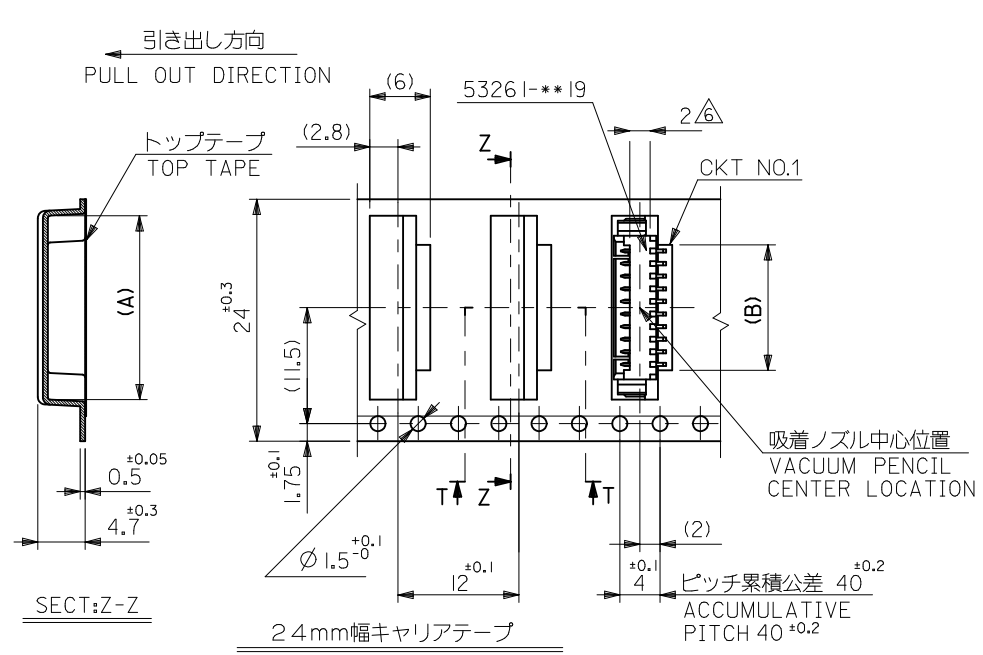




SECT:Y-Y
32mm幅キャリアテープ
32mm WIDTH CARRIER TAPE



SECT:W-W SECT:T-T

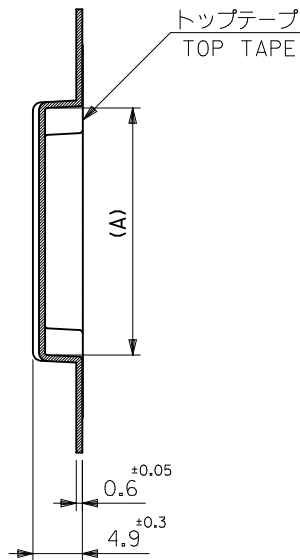


SECT:Z-Z
24mm幅キャリアテープ
24mm WIDTH CARRIER TAPE

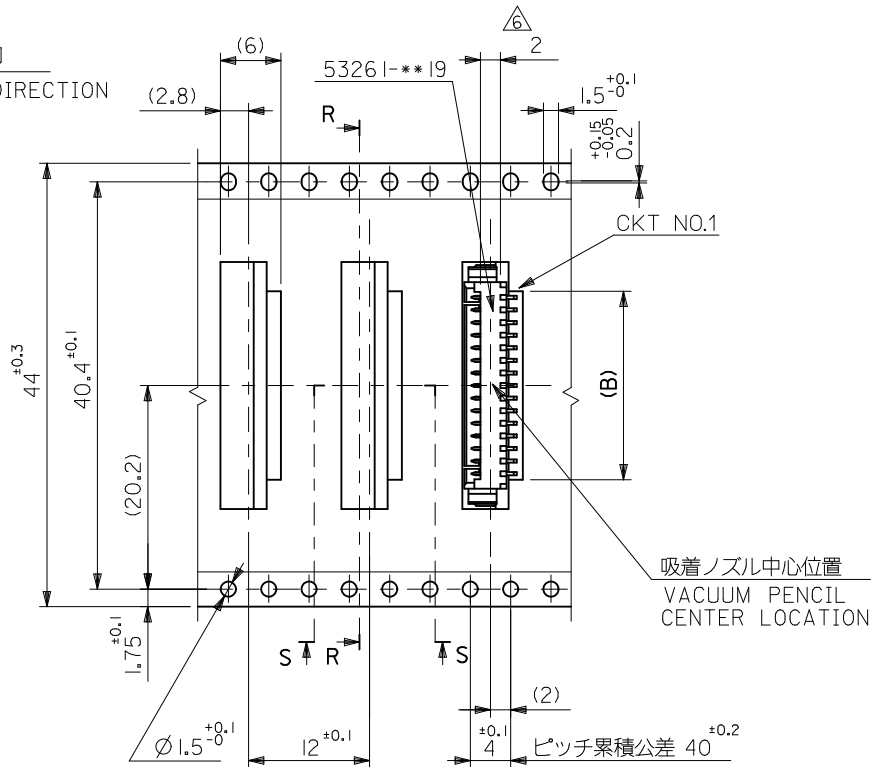
32	37.4	33.4	16.2	22	53261-1371	13
			14.95	20.75	-1271	12
24	29.4	25.4	13.7	19.5	-1171	11
			12.45	18.25	-1071	10
			11.2	17	-0971	9
			9.95	15.75	-0871	8
			8.7	14.5	-0771	7
			7.45	13.25	-0671	6
			6.2	12	-0571	5
			4.95	10.75	53261-0471	4

MODEL NO.	53261-***71	キャリアテープ幅 CARRIER TAPE WIDTH	D	C	B	A	EMBOSSD TAPE PACKAGE オーダー番号 ORDER NO.	極数 CKT.
REVISED	2010/02/17	GENERAL TOLERANCES (UNLESS SPECIFIED)	DIMENSION STYLE MM ONLY			SCALE ---	DESIGN UNITS METRIC	THIRD ANGLE PROJECTION
EC NO.	DRWN:YG010 CHKD:KASAKAWA APPR:	10 UNDER ±0.2	DRAWN BY H. SHIMABUKUR	DATE '04/02/06	TITLE 1.25 W/B CONN WAFER ASSY FOR SMT EMBSTP PKG			
		10 OVER 30 UNDER ±0.25	CHECKED BY K. TOJO	DATE '04/02/06	MOLEX INCORPORATED			
		30 OVER ±0.3	APPROVED BY NUKITA	DATE 2010/02/18	DOCUMENT NO. SD-53261-023			
		ANGULAR ±3 °	MATERIAL NO. SEE TABLE & SHEET 1.3			SHEET NO. 2 OF 3		
		DRAFT WHERE APPLICABLE MUST REMAIN WITHIN DIMENSIONS	THIS DRAWING CONTAINS INFORMATION THAT IS PROPRIETARY TO MOLEX INCORPORATED AND SHOULD NOT BE USED WITHOUT WRITTEN PERMISSION					

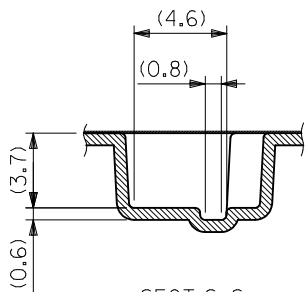
引き出し方向
PULL OUT DIRECTION



SECT:R-R



44mm幅キャリアテープ
44mm WIDTH CARRIER TAPE



SECT:S-S

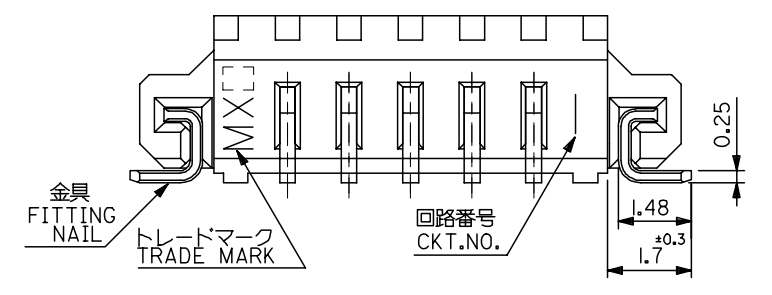
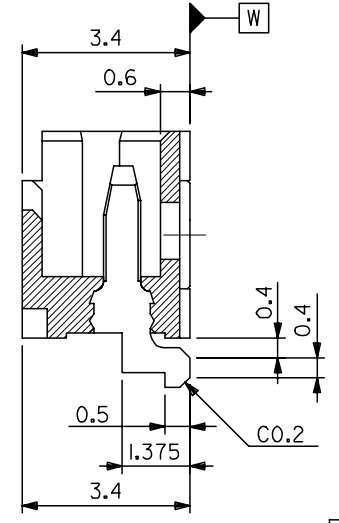
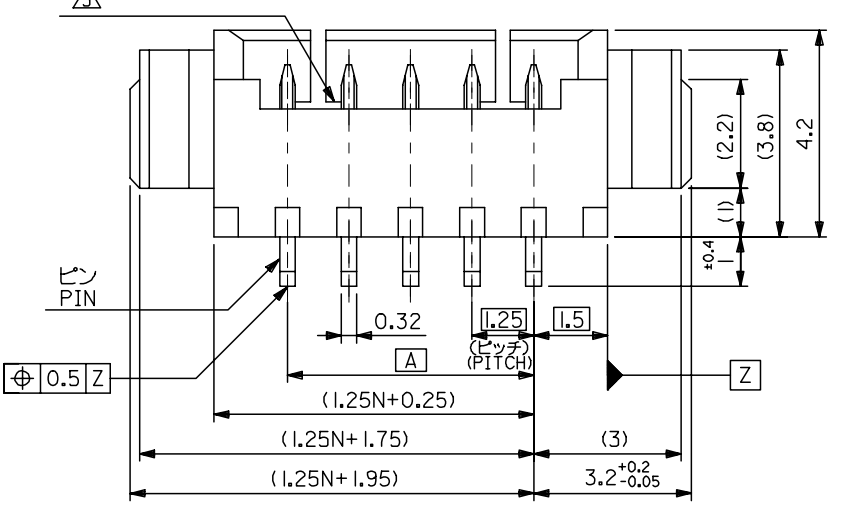
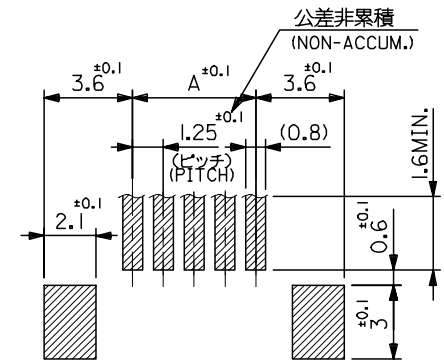
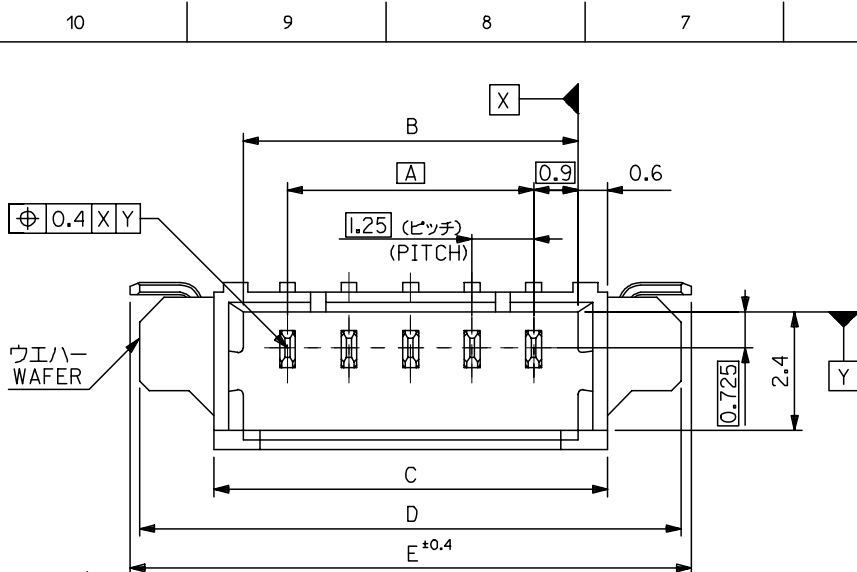
44	49.4	45.4	18.7	24.5	53261-1571	15
			17.45	23.25	53261-1471	14
キャリアテープ幅 CARRIER TAPE WIDTH	D	C	B	A	EMBOSSD TAPE PACKAGE オーダー番号 ORDER NO.	極数 CKT.

MODEL NO.	53261-***71	DIMENSION STYLE MM ONLY		SCALE ---	DESIGN UNITS METRIC	THIRD ANGLE PROJECTION	
REVISED EC NO: D DRWN:Y.GOTO CHKD:KASAKAWA APPR: REV	DESCRIPTION	GENERAL TOLERANCES (UNLESS SPECIFIED)		DRAWN BY H. SHIMABUKUR		DATE '04/02/06	
		10 UNDER	±0.2	CHECKED BY K. TOJO		DATE '04/02/06	
		10 OVER 30 UNDER	±0.25	APPROVED BY NUKITA		DATE 2010/02/18	
		30 OVER	±0.3	MATERIAL NO. SEE TABLE & SHEET 12		DOCUMENT NO. SD-53261-023	
		ANGULAR	±3 °	SIZE A3		SHEET NO. 3 OF 3	
		DRAFT WHERE APPLICABLE MUST REMAIN WITHIN DIMENSIONS					

TITLE
1.25 W/B CONN WAFER ASSY
FOR SMT EMBSTP PKG

MOLEX INCORPORATED

THIS DRAWING CONTAINS INFORMATION THAT IS PROPRIETARY TO MOLEX
INCORPORATED AND SHOULD NOT BE USED WITHOUT WRITTEN PERMISSION



- 注記 NOTES**
1. 嵌合相手: 51021 シリウス
MATES WITH: 51021 SERIES
 2. 材質 MATERIAL
ウエハー: NYLON46, UL94V-0
ピン: リン青銅
PIN: PHOS-BRO
: 銅メッキ 1. 0マイクrometer以上
: TIN 1.0 MICROMETER MINIMUM
: ニッケル下地 1. 0マイクrometer以上
: NICKEL(UNDER PLATING)1.0 MICROMETER MINIMUM
金具
FITTING NAIL: リン青銅
: PHOS-BRO
: 銅メッキ 1. 0マイクrometer以上
: TIN 1.0 MICROMETER MINIMUM
: ニッケル下地 1. 0マイクrometer以上
: NICKEL(UNDER PLATING)1.0 MICROMETER MINIMUM
 - △ ロック窓は2, 3極は1箇所, 4極以上は2箇所とする。
LOCKING WINDOW:
ONE PLACE FOR 2 AND 3 CKT. AND
TWO PLACES FOR MORE THAN 3 CKT.
 4. ソルダーテール部のスレ量及び金具(補強板)のスレ量は基準面[W]に対し、上方向0.05 MAX.、下方向に0.1 MAX.とする。[W] OFFSET BETWEEN BASIS PLANE TO SOLDER TAIL BOTTOM AND FITTING NAIL BOTTOM:
UPPER SIDE: 0.05MAX.
LOWER SIDE: 0.1MAX.
 5. 本製品は 53261-**-10 の鉛フリー品である。
THIS PRODUCT IS LEAD FREE OF 53261-**-10

26.4	26	23	21.8	20	53261-1719	17	
23.9	23.5	20.5	19.3	17.5	-1519	15	
22.65	22.25	19.25	18.05	16.25	-1419	14	
21.4	21	18	16.8	15	-1319	13	
20.15	19.75	16.75	15.55	13.75	-1219	12	
18.9	18.5	15.5	14.3	12.5	-1119	11	
17.65	17.25	14.25	13.05	11.25	-1019	10	
16.4	16	13	11.8	10	-0919	9	
15.15	14.75	11.75	10.55	8.75	-0819	8	
13.9	13.5	10.5	9.3	7.5	-0719	7	
12.65	12.25	9.25	8.05	6.25	-0619	6	
11.4	11	8	6.8	5	-0519	5	
10.15	9.75	6.75	5.55	3.75	-0419	4	
8.9	8.5	5.5	4.3	2.5	-0319	3	
53261-**-19	7.65	7.25	4.25	3.05	1.25	53261-0219	2
MODEL NO.	E	D	C	B	A	MATERIAL. NO.	極数 CKT.

REVISED EC NO: J2005-3130 DRW:NAIDA 2005/04/19 CHK:KTOYODA 2005/04/21 APPR:NUKITA 2005/04/25	GENERAL TOLERANCES (UNLESS SPECIFIED)		DIMENSION STYLE MM ONLY		SCALE 10:1	DESIGN UNITS METRIC	THIRD ANGLE PROJECTION
	10 UNDER	±0.2	DRAWN BY HSHIMABU	DATE 04/02/06	TITLE 1.25 WIRE TO BOARD WAFER ASS FOR SMT -LEAD FREE-		
	10 OVER 30 UNDER	±0.25	CHECKED BY KTOJO	DATE 04/02/06	MOLEX INCORPORATED		
	30 OVER	±0.3	APPROVED BY MSASAO	DATE 04/02/06	DOCUMENT NO. SD-53261-024		
	ANGULAR	±3 °	MATERIAL NO. SEE DRAWING		SHEET NO. 1 OF 1		
DRAFT WHERE APPLICABLE MUST REMAIN WITHIN DIMENSIONS		THIS DRAWING CONTAINS INFORMATION THAT IS PROPRIETARY TO MOLEX INCORPORATED AND SHOULD NOT BE USED WITHOUT WRITTEN PERMISSION					