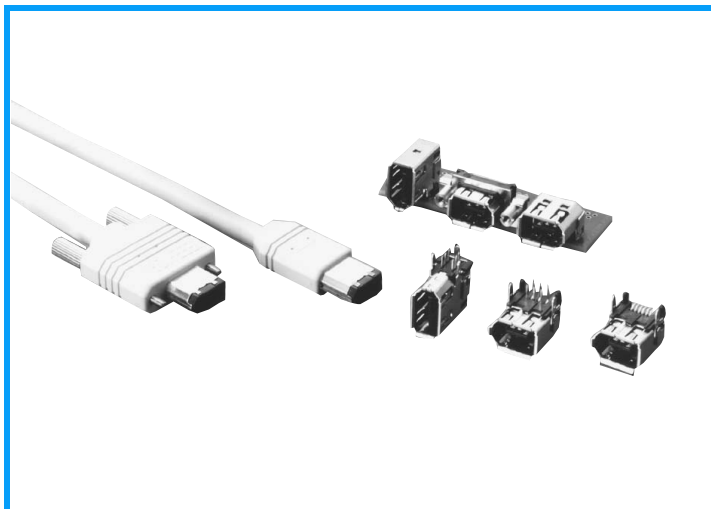


For IEEE-1394 High Performance Serial Bus Connectors

 A
 HSB


HSB series is a high performance shielded I/O connector serial bus that will allow increased transmission speed for multi-media applications in accordance with IEEE 1394

FEATURE

- Data transmission rates of 100,200 and 400Mbps
- 6 reliable ribbon style contacts, 2 pair signal and 2 power
- Fully shielded design feature protection from electrostatic discharge
- Power and ground contacts feature a pre-mating design for circuit protection

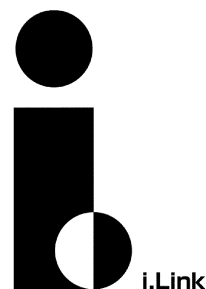
APPLICATION

Computer, HDD, MO, Printer, Scanner, DV Camcorder, Digital Camera, IEEE1394 Host Adapter and Other Multi-Media Devices

DataSheet4U

SPECIFICATION

Voltage Rating	30V AC (rms)
Current Rating	1.5A / contact
Dielectric With Standing Voltage	500V AC (rms) for 1 minute
Insulation Resistance	100M Ω min. at 500V DC
Contact Resistance	30m Ω max.



DataShee

MATERIAL/FINISH

Contact	Copper alloy/Mating area : 0.76 μ m Gold over Nickel plating Tail area : Tin-lead plating
Insulator	PA resin or LCP resin (UL94V-0) color black
Shell	Copper alloy or Steel/Tin-lead plating

6Pin - 6Pin Cable Assembly

HSB-HAA-B07

CN-A style		
	CN-A	CN-B
AA	Standard	Standard
AC	Standard	Screw lock
CC	Screw lock	Screw lock

Cable length	
07	L=0.7m
20	L=2.0m
45	L=4.5m

Cable style
: See Table-2

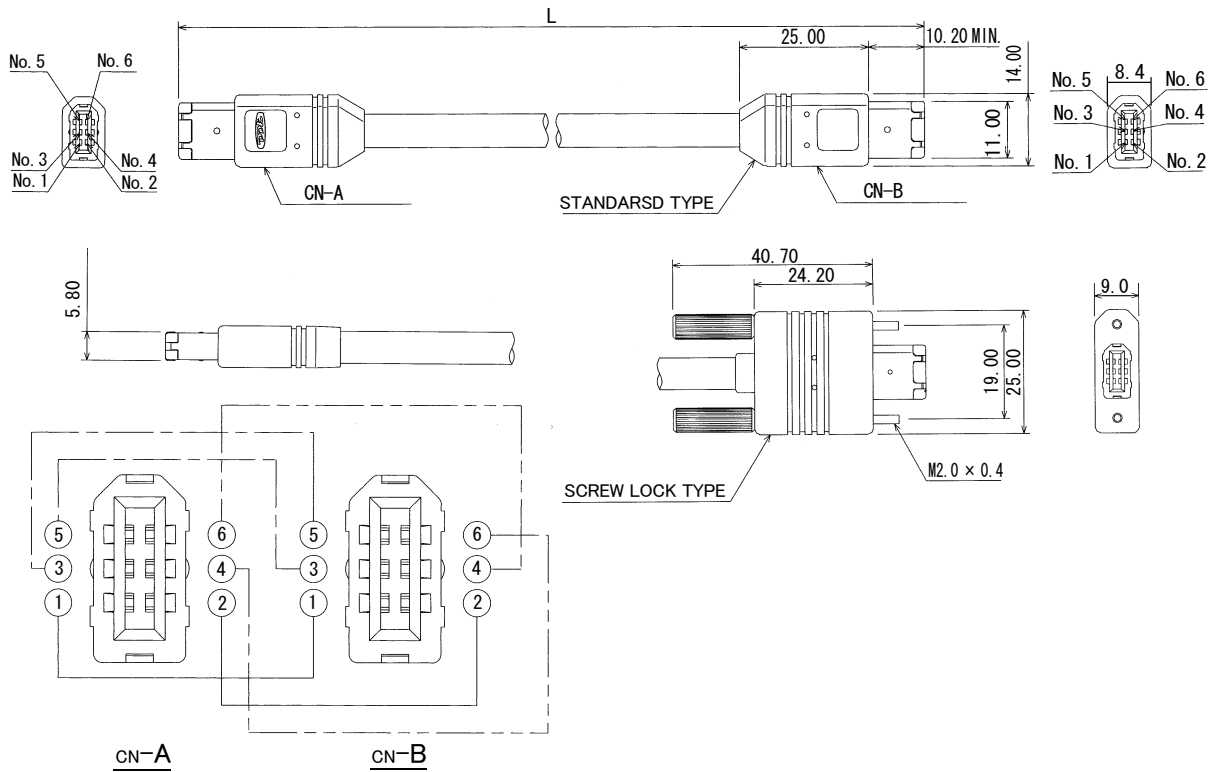


TABLE-1 (WIRING STRUCTURE)

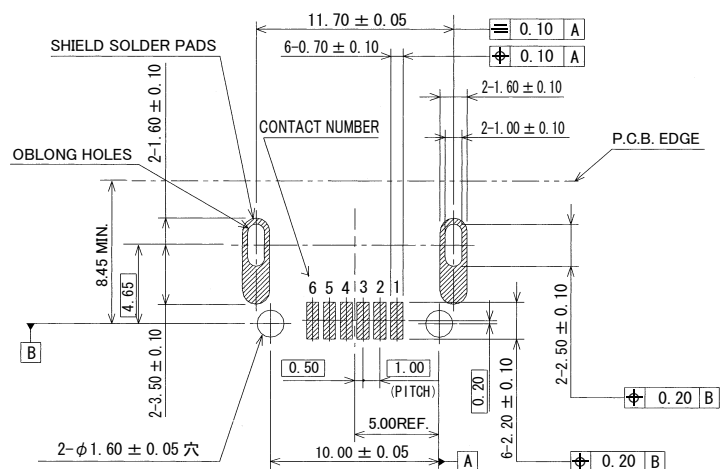
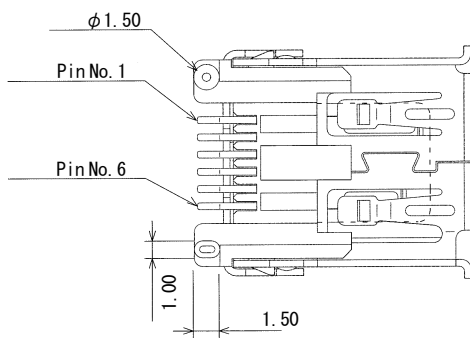
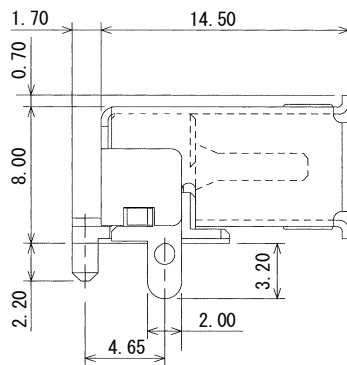
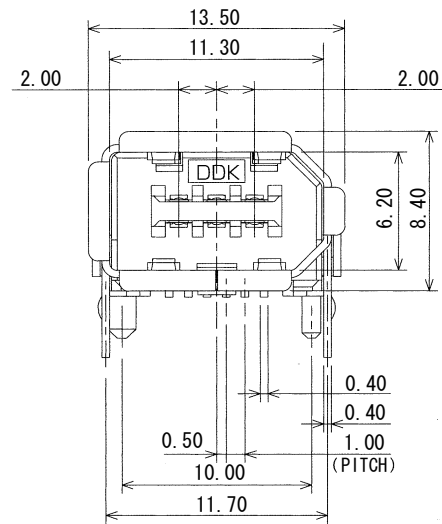
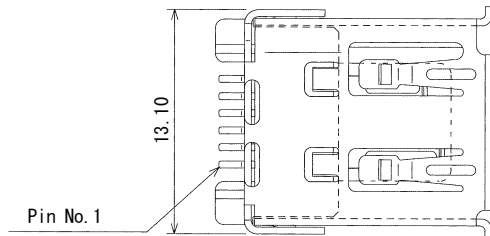
CN-A	WIRE COLOR	CN-B
Pin No.		Pin No.
1	WHITE	1
2	BLACK	2
3	RED	5
4	GREEN	6
5	ORANGE	3
6	BLUE	4
Shell	Shield	Shell

TABLE-2 (APPLICABLE CABLE)

DDK P/N	HSB-H□□-A□□	HSB-H□□-B□□
Signal Wire		
Power Wire		
Inner Shield		
Jacket Diam.	φ 6.1mm	φ 5.5mm
Inner Shield	aluminum polyester tape + tinned copper	aluminum polyester tape
Straddle Signal Wire	AWG28	AWG28
Straddle Power Wire	AWG22	AWG22
Straddle Drain Wire	AWG28	AWG28
Hood Dimension "A"	9.6mm	8.4mm
Remark	1394 Standard	Slim Type

Right Angle Flat Receptacle (SMT Type)

HSB-ARA62-SN15A



PCB Mounting Dimensions
PCB Thickness : $t=1.60 \pm 0.19$
(Connector Mounting Side)

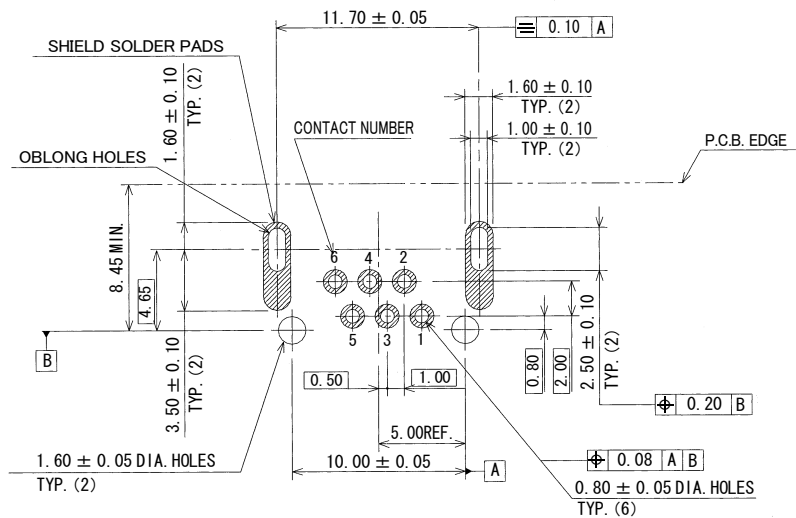
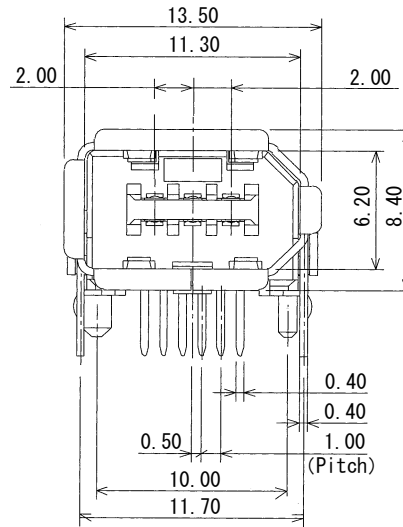
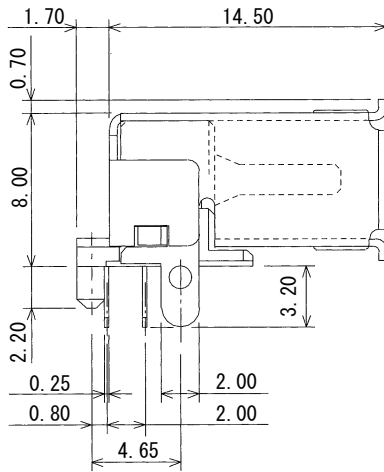
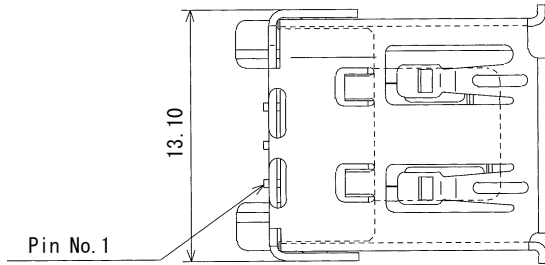
et4U.com

ataSheet4U.com

DataShee

Right Angle Flat Receptacle (DIP Type)

HSB-ARA62-T115A



PCB Mounting Dimensions
 PCB Thickness : $t=1.60 \pm 0.19$
 (Connector Mounting Side)

et4U.com

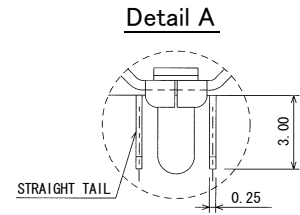
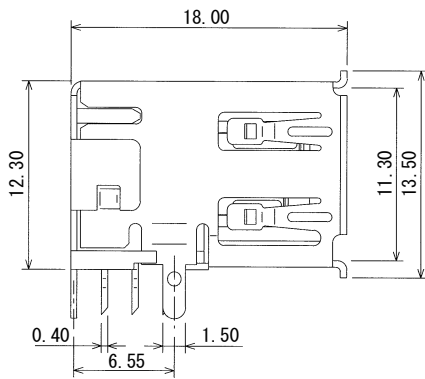
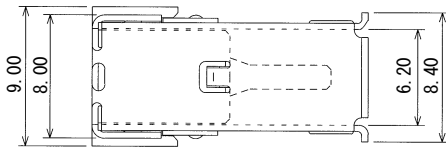
DataShee

Right Angle Upright Receptacle (DIP Type)

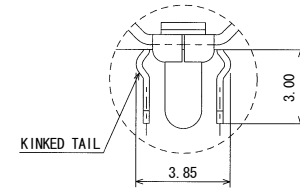
A
HSB

HSB-ARB62-T215A

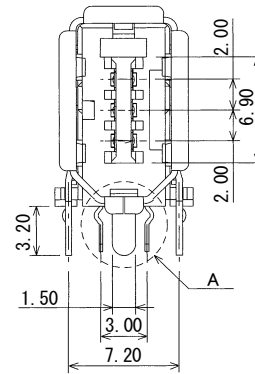
Contact tail length
 2 : 3.0mm without kinked tail
 3 : 3.0mm with kinked tail



HSB-ARB62-T215A

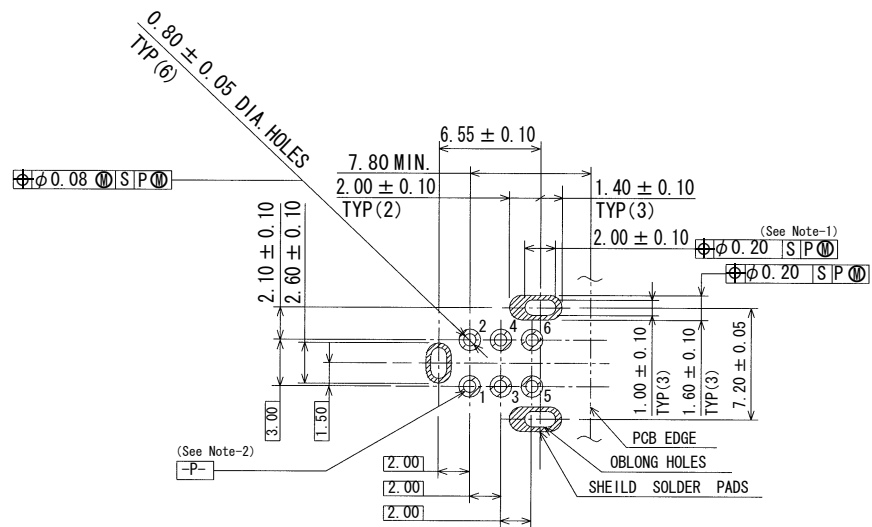


HSB-ARB62-T315A



et4U.com

DataShee



PCB Mounting Dimensions

PCB Thickness : $t=1.60 \pm 0.19$
 (Connector Mounting Side)

Note

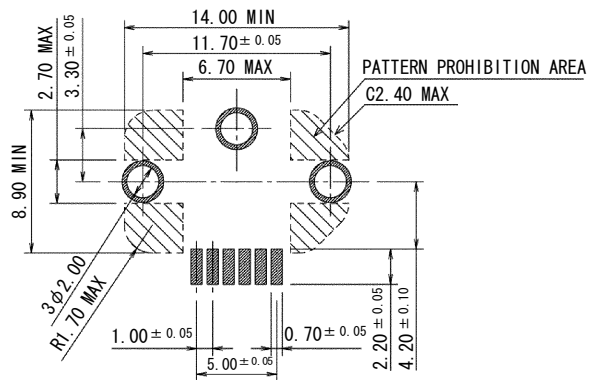
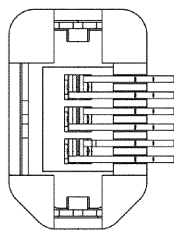
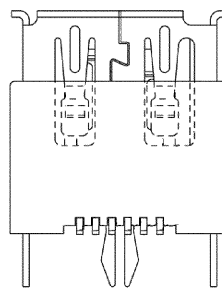
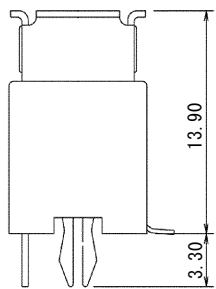
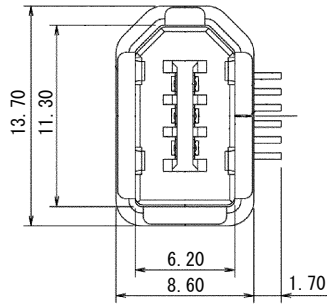
1. PCB mounting surface is datum S ; thickness is not specified.
2. Datum P hole excluded from positional tolerance.

DataSheet4U.com

www.DataSheet4U.com

■ Straight Receptacle (SMT Type)

HSB-ARD64-SN16C



PCB Mounting Dimensions
 PCB Thickness : $t=1.60 \pm 0.19$
 (Connector Mounting Side)

et4U.com

DataShee

Bracket

A
HSB

HSB-R001NN

Board Lock

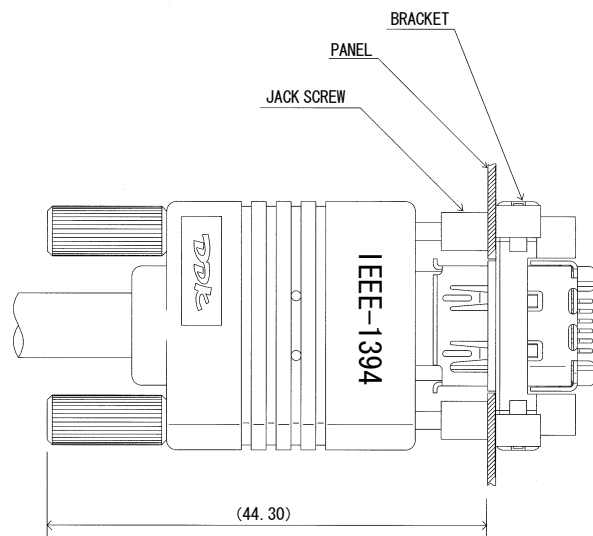
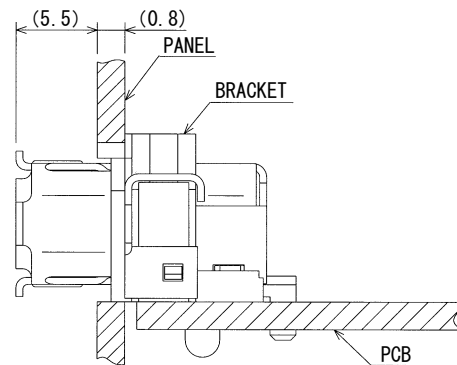
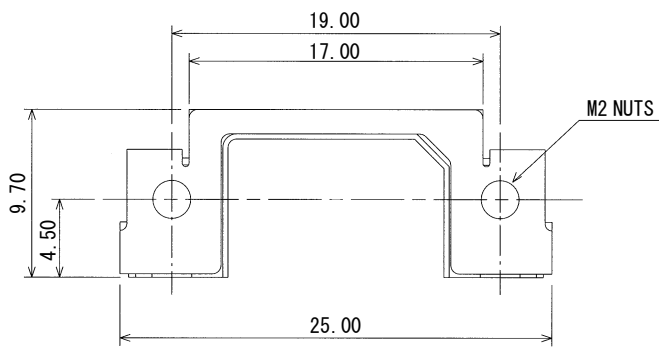
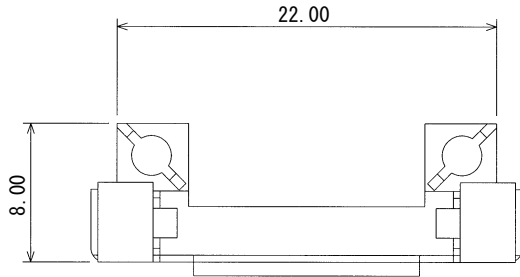
N : WITHOUT BOARD LOCK
B : WITH BOARD LOCK

Hard Ware

N : N/A
J : WITH JACK SOCKET UNASSEMBLED

FEATURE

- Metal plate for EMI
- Plastic Holder for Electrical Isolation
- Mounting Hole for Jack Screw



Mating Configuration

Note

1. Sales lot or ordering
For each of products, a minimum lot for ordering is specified. Also, there are products which are supplied custom-made. When ordering, please contact us and confirm ordering procedures.

et4U.com