

# DATA SHEET



## **PCF8820**

**67 × 101 Grey-scale/ECB colour  
dot matrix LCD driver**

Product specification  
File under Integrated Circuits, IC12

2000 Dec 07

# 67 × 101 Grey-scale/ECB colour dot matrix LCD driver

PCF8820

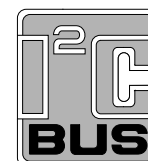
<b>CONTENTS</b>		
1	FEATURES	
2	APPLICATIONS	
3	GENERAL DESCRIPTION	
4	ORDERING INFORMATION	
5	BLOCK DIAGRAM	
6	PINNING	
6.1	Pad configuration	7.18
6.2	Pad functions	7.18.1
6.2.1	Row driver outputs	7.18.2
6.2.2	Column driver outputs	7.18.3
6.2.3	Ground supply	7.18.4
6.2.4	Supply voltage	7.18.5
6.2.5	Voltage multiplier output	7.18.6
6.2.6	Voltage multiplier regulation input	7.18.7
6.2.7	Supply voltage of bias voltage generator	8
6.2.8	LCD intermediate bias voltages	8.1
6.2.9	Serial data input	8.1.1
6.2.10	Serial data output	8.1.2
6.2.11	Serial clock input	8.1.3
6.2.12	Slave address inputs	8.1.4
6.2.13	Oscillator signal input	8.1.5
6.2.14	External reset input	8.1.6
6.2.15	Test pads	8.1.7
7	FUNCTIONAL DESCRIPTION	8.1.8
7.1	Oscillator	8.1.9
7.2	I <sup>2</sup> C-bus interface controller	8.1.10
7.3	Input filters	8.2
7.4	Display Data RAM (DDRAM)	9
7.5	Timing generator	9.1
7.6	Address counter	10
7.7	Display address counter	10.1
7.8	Command decoder	11
7.9	Column driver outputs	11.1
7.10	Row driver outputs	12
7.11	Bias voltage generator	12.1
7.12	High voltage generator	13
7.13	Temperature compensation	13.1
7.14	Temperature sensor	13.2
7.15	LCD driver waveforms	13.3
7.16	DDRAM to display mapping	13.4
7.17	DDRAM addressing	13.5
		13.6
		14
		15
		16
		17
		18
		19
		20
		21
		I <sup>2</sup> C-bus interface
		Bit transfer
		START and STOP conditions
		System configuration
		Acknowledge
		I <sup>2</sup> C-bus protocol
		Command decoder
		Display data byte
		INSTRUCTIONS
		Description of the bit functions
		Power-down mode
		Partial screen mode
		Y-address of DDRAM
		Bias system
		High voltage generator configuration
		Temperature read-out
		V <sub>LCD</sub> control register
		Grey-scale register and grey-scale level
		Direct drive mode
		Frame frequency calibration
		Reset and initialization
		LIMITING VALUES
		HANDLING
		DC CHARACTERISTICS
		TIMING
		APPLICATION INFORMATION
		Programming example for the PCF8820
		Examples of effects on the display
		High voltage generator
		Application for COG
		Typical system configuration
		External supply of V <sub>LCDIN</sub>
		BONDING PAD INFORMATION
		DEVICE PROTECTION CIRCUITS
		TRAY INFORMATION
		DATA SHEET STATUS
		DEFINITIONS
		DISCLAIMERS
		BARE DIE DISCLAIMER
		PURCHASE OF PHILIPS I <sup>2</sup> C COMPONENTS

# 67 × 101 Grey-scale/ECB colour dot matrix LCD driver

PCF8820

## 1 FEATURES

- Single-chip LCD controller and driver for grey-scale/ Electrically Controlled Birefringence (ECB) colour
- 4 grey levels/colours (2-bit) definable from 64 levels
- 67 row and 101 column outputs
- Display data RAM 67 × 101 × 2-bit with linear RAM addressing
- Partial screen mode with reduced current consumption (8 rows at top or bottom of display)
- On-chip:
  - Generation of LCD supply voltage ( $V_{LCDOUT}$ ); external supply also possible
  - Configurable voltage multiplier factor of 8, 7, 6, 5, 4, 3 or 2; direct drive also possible
  - Selectable linear temperature compensation of  $V_{LCDOUT}$
  - Generation of intermediate LCD bias voltages
  - Oscillator requires no external components; external clock also possible.
- Temperature read-out
- Fast mode I<sup>2</sup>C-bus interface (400 kbits/s)
- Frame frequency calibration via software
- Software selectable bias configuration
- Compatible with 4-bit, 8-bit or 16-bit microcontrollers
- Multiplex rates of 1 : 67 or 1 : 8
- Logic supply voltage range from 2.5 to 5.5 V ( $V_{DD1}$  to  $V_{SS1}$ )
- High voltage generator supply voltage range from 2.7 to 5.5 V ( $V_{DD2}$  to  $V_{SS1}$  and  $V_{DD3}$  to  $V_{SS2}$ )
- Bias voltage generator supply voltage range ( $V_{LCDIN}$  to  $V_{SS1}$ ):
  - From 7 to 14.5 V at a multiplex rate of 1 : 67
  - From 4.5 to 14.5 V in partial screen mode at a multiplex rate of 1 : 8.
- Low power consumption, suitable for battery operated systems
- Slim chip layout, suitable for chip-on-glass applications



- Software selectable top and bottom row swap for adapting driver to different glass-layouts
- CMOS compatible inputs
- Manufactured in silicon gate CMOS process.

## 2 APPLICATIONS

- Mobile telecommunication systems
- Battery powered equipment
- Point of sale terminals
- Instrumentation
- Automotive information systems.

## 3 GENERAL DESCRIPTION

The PCF8820 is a low power CMOS LCD row/column driver, designed to drive grey-scale/ ECB colour dot matrix graphic displays at a multiplex rate of 1 : 67. In the partial screen mode, only 8 rows are driven at a multiplex rate of 1 : 8.

This chip provides all the necessary display functions, including on-chip generation of the LCD supply voltage and LCD bias voltages. Consequently, fewer external components are required and the power consumption is low.

The PCF8820 interfaces with most microcontrollers and communicates via a two-line bidirectional bus (I<sup>2</sup>C-bus). All inputs are CMOS compatible.

Remark: the waveform generation for ECB colour is identical to that used for grey-scale.

## 4 ORDERING INFORMATION

TYPE NUMBER	PACKAGE		
	NAME	DESCRIPTION	VERSION
PCF8820U	–	chip with bumps in tray	–

67 × 101 Grey-scale/ECB colour dot matrix LCD driver

PCF8820

5 BLOCK DIAGRAM

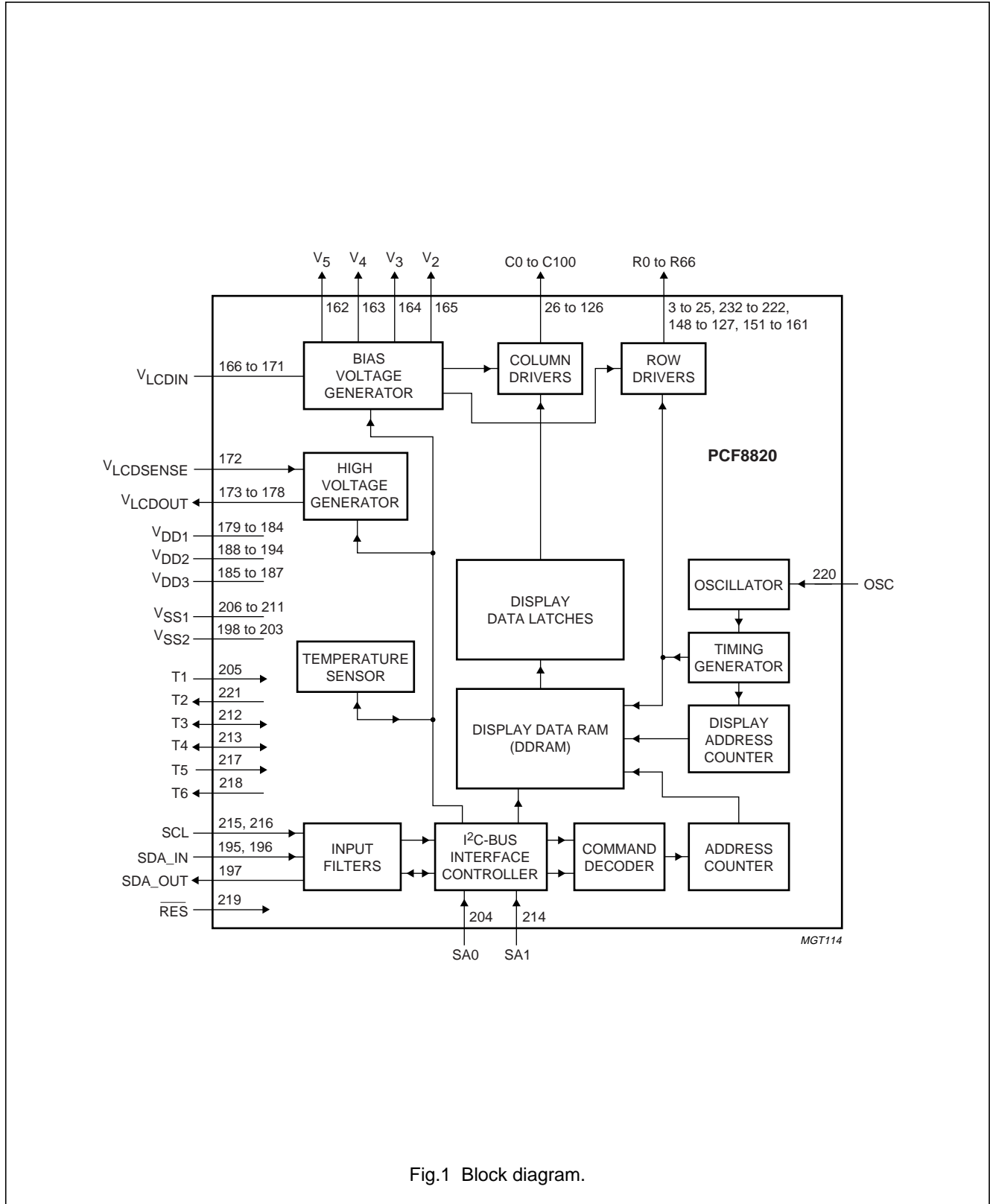


Fig.1 Block diagram.

# 67 × 101 Grey-scale/ECB colour dot matrix LCD driver

PCF8820

## 6 PINNING

### 6.1 Pad configuration

SYMBOL	PAD	DESCRIPTION
R0 to R22	3 to 25	LCD row driver outputs (block 1)
R23 to R33	232 to 222	LCD row driver outputs (block 2)
R34 to R55	148 to 127	LCD row driver outputs (block 3)
R56 to R66	151 to 161	LCD row driver outputs (block 4)
C0 to C100	26 to 126	LCD column driver outputs
V <sub>SS1</sub>	206 to 211	ground supply 1
V <sub>SS2</sub>	198 to 203	ground supply 2
V <sub>DD1</sub>	179 to 184	supply voltage 1 of logic
V <sub>DD2</sub>	188 to 194	supply voltage 2 of high voltage generator; temperature read-out
V <sub>DD3</sub>	185 to 187	supply voltage 3 of high voltage generator; temperature read-out
V <sub>LCDOUT</sub>	173 to 178	voltage multiplier output
V <sub>LCDSENSE</sub>	172	voltage multiplier regulation input
V <sub>LCDIN</sub>	166 to 171	supply voltage for LCD (bias voltage generator)
V <sub>2</sub>	165	LCD intermediate bias voltage 2; for test purposes only
V <sub>3</sub>	164	LCD intermediate bias voltage 3; for test purposes only
V <sub>4</sub>	163	LCD intermediate bias voltage 4; for test purposes only
V <sub>5</sub>	162	LCD intermediate bias voltage 5; for test purposes only
SDA_IN	195 and 196	serial data input
SDA_OUT	197	serial data output (acknowledge)
SCL	215 and 216	serial clock input
SA0	204	I <sup>2</sup> C-bus slave address input 0 (bit 0)
SA1	214	I <sup>2</sup> C-bus slave address input 1 (bit 1)
OSC	220	oscillator signal input
RES	219	external reset input (active LOW)
T1	205	test 1 input
T2	221	test 2 output
T3	212	test 3 I/O
T4	213	test 4 I/O
T5	217	test 5 input
T6	218	test 6 output

The pad configuration is shown in Fig.32.

## 67 × 101 Grey-scale/ECB colour dot matrix LCD driver

PCF8820

### 6.2 Pad functions

#### 6.2.1 ROW DRIVER OUTPUTS

Row driver outputs (R0 to R66) are the outputs for the LCD row drive signals. They should be connected directly to the 67 rows of the LCD. If less than 67 rows are required, the unused outputs must be left open-circuit.

#### 6.2.2 COLUMN DRIVER OUTPUTS

Column driver outputs (C0 to C100) are the outputs for the LCD column drive signals. They should be connected directly to the 101 columns of the LCD. If less than 101 columns are required, the unused column outputs must be left open-circuit.

#### 6.2.3 GROUND SUPPLY

The ground supply rails ( $V_{SS1}$  and  $V_{SS2}$ ) must be connected together.  $V_{SS1}$  is related to  $V_{DD1}$  and  $V_{DD3}$ ;  $V_{SS2}$  is related to  $V_{DD2}$ .

#### 6.2.4 SUPPLY VOLTAGE

The supply voltage rails ( $V_{DD1}$ ,  $V_{DD2}$  and  $V_{DD3}$ ) must be connected together when the same supply is used for both the logic circuits and for the voltage multiplier. When the circuits are fed separately,  $V_{DD2}$  and  $V_{DD3}$  must be connected to the same supply.

#### 6.2.5 VOLTAGE MULTIPLIER OUTPUT

$V_{LCDOUT}$  is the output of the voltage multiplier of the high voltage generator.

#### 6.2.6 VOLTAGE MULTIPLIER REGULATION INPUT

$V_{LCDSENSE}$  is the regulation input of the high voltage multiplier and must be connected to  $V_{LCDOUT}$ .

#### 6.2.7 SUPPLY VOLTAGE OF BIAS VOLTAGE GENERATOR

$V_{LCD}$  is the supply voltage on pad  $V_{LCDIN}$  for the bias voltage generator which supplies the LCD outputs. The voltage on pad  $V_{LCDIN}$  must not be lower than  $V_{DD1}$ .

If  $V_{LCD}$  is generated internally, pad  $V_{LCDOUT}$  must be connected to pad  $V_{LCDIN}$ .

If  $V_{LCD}$  is supplied externally, the external supply voltage must be connected to pad  $V_{LCDIN}$ . An external supply voltage must be applied after applying  $V_{DD1}$ , and it must be removed before or when removing  $V_{DD1}$  (see Fig.25). It is recommended that an external supply voltage is applied after leaving the reset state. The external supply voltage can stay applied in the Power-down mode.

When an external supply voltage is used, pads  $V_{LCDIN}$ ,  $V_{LCDSENSE}$  and  $V_{LCDOUT}$  do not have to be connected together. However, if pads  $V_{LCDSENSE}$  and  $V_{LCDOUT}$  are both connected to pad  $V_{LCDIN}$ , the current consumption can be reduced under the following conditions:

- The output of  $V_{LCDOUT}$  is set to high-impedance (see Table 8)
- The HIGH voltage programming range is selected by setting bit PRS = 1, the maximum voltage multiplier on factor 8 and the  $V_{LCD}$  control register on the maximum value (see Table 2).

#### 6.2.8 LCD INTERMEDIATE BIAS VOLTAGES

The LCD intermediate bias voltages ( $V_2$ ,  $V_3$ ,  $V_4$  and  $V_5$ ) which are applied to the LCD columns and rows are present on these pads for test purposes. They must be left open-circuit in the application.

#### 6.2.9 SERIAL DATA INPUT

SDA\_IN is the serial data input from the I<sup>2</sup>C-bus.

#### 6.2.10 SERIAL DATA OUTPUT

SDA\_OUT is the serial data output (data, acknowledge) for the I<sup>2</sup>C-bus. Connecting pad SDA\_OUT to pad SDA\_IN makes the SDA line fully I<sup>2</sup>C-bus compatible.

Not connecting pad SDA\_IN to pad SDA\_OUT allows the device to be used in applications in which the acknowledge bit is not required. In Chip-On-Glass (COG) applications, it is sometimes beneficial not to connect pad SDA\_OUT to pad SDA\_IN. This is because in COG applications where the track resistance from pad SDA\_OUT to the system SDA line is significant, a voltage divider is created by the bus pull-up resistor and the Indium Tin Oxide (ITO) track resistance. This divider could prevent the PCF8820 from asserting a valid logic 0 level during an acknowledge cycle.

In COG applications, where the acknowledge cycle is required, the track resistance from the pad SDA\_OUT to the system SDA line must be minimized to guarantee a valid LOW-level.

#### 6.2.11 SERIAL CLOCK INPUT

SCL is the serial clock input from the I<sup>2</sup>C-bus.

## 67 × 101 Grey-scale/ECB colour dot matrix LCD driver

PCF8820

### 6.2.12 SLAVE ADDRESS INPUTS

These inputs (SA0 and SA1) allow up to four PCF8820 drivers to be controlled on the same I<sup>2</sup>C-bus. Inputs SA0 and SA1 represent respectively bit 0 and bit 1 of the slave address.

### 6.2.13 OSCILLATOR SIGNAL INPUT

Pad OSC must be connected directly to V<sub>DD1</sub> when the on-chip oscillator is used. No external components are required. It should be noted that any voltage drop of V<sub>DD1</sub> may affect the performance of the on-chip oscillator.

An external clock must be connected to input OSC.

### 6.2.14 EXTERNAL RESET INPUT

A LOW-level on input  $\overline{\text{RES}}$  initializes the chip.

### 6.2.15 TEST PADS

The test pads (T1, T2, T3, T4, T5 and T6) must not be accessible to the user.

Pads T1, T3 and T4 must be connected to V<sub>SS1</sub>, pad T5 must be connected to V<sub>DD1</sub>, and pads T2 and T6 must be left open-circuit.

## 7 FUNCTIONAL DESCRIPTION

### 7.1 Oscillator

The on-chip oscillator provides the clock signal for the LCD system. The clock mode is controlled via the I<sup>2</sup>C-bus interface. A clock signal must always be present, except in the Power-down mode, to prevent the LCD entering a DC state.

### 7.2 I<sup>2</sup>C-bus interface controller

The I<sup>2</sup>C-bus interface controller receives and executes the commands sent via the I<sup>2</sup>C-bus. The PCF8820 acts as an I<sup>2</sup>C-bus slave receiver/transmitter and therefore it cannot control the bus communication.

### 7.3 Input filters

RC low-pass filters are provided on inputs SDA\_IN, SCL and  $\overline{\text{RES}}$  to enhance noise immunity in electrically adverse environments.

### 7.4 Display Data RAM (DDRAM)

The PCF8820 contains a 67 × 101 × 2-bit static RAM, which stores the display data. The RAM comprises 17 banks of 101 bytes (17 × 101 × 8 bits). Not all of the last bank is implemented. During RAM access, data is transferred to the RAM via the I<sup>2</sup>C-bus interface controller.

### 7.5 Timing generator

The timing generator produces the various signals required to drive the internal circuitry. Internal chip operation is not affected by operations on the I<sup>2</sup>C-bus.

### 7.6 Address counter

The address counter generates write addresses to the DDRAM. During a write operation, display data is stored at the addressed locations.

### 7.7 Display address counter

The display address counter generates read addresses to the DDRAM. During a read operation, display data is read out to the LCD.

### 7.8 Command decoder

The command decoder receives command words which are followed by data byte(s) from the I<sup>2</sup>C-bus. The command decoder identifies the command words and determines the destination for the data byte(s).

### 7.9 Column driver outputs

The LCD driver section has 101 outputs (C0 to C100) which should be connected directly to the column drive inputs of the LCD. The column driver signals are generated in accordance with the multiplexed row signals and with the data in the display data latch.

The programmed grey-scale levels are built-up in the LCD over four frames (N1<sub>1</sub>, N1<sub>2</sub>, N1<sub>3</sub> and N1<sub>4</sub>) as shown in Figs 3, 4 and 5.

### 7.10 Row driver outputs

The LCD driver section has 67 outputs (R0 to R66) which should be connected directly to the row drive inputs of the LCD. The row driver signals are generated in accordance with the selected LCD drive mode.

## 67 × 101 Grey-scale/ECB colour dot matrix LCD driver

PCF8820

### 7.11 Bias voltage generator

The bias voltage generator generates 4 buffered intermediate LCD bias voltages. It contains 4 operational amplifiers and an input reference voltage generator. It can operate in two voltage ranges:

- Normal mode (from 7.0 to 14.5 V)
- Partial screen mode (from 4.5 to 14.5 V).

### 7.12 High voltage generator

The high voltage generator contains a voltage multiplier which uses a charge pump circuit supplied by  $V_{DD2}$  and  $V_{DD3}$ .

The multiplier is software programmable with a factor from 2 to 8. In the direct drive mode the output voltage  $V_{LCDOUT} = V_{DD2}$ .

### 7.13 Temperature compensation

The viscosity of the liquid crystal depends on the temperature; so to maintain optimum contrast at lower temperatures  $V_{LCD}$  needs usually to be increased. Fig.2 shows  $V_{LCD}$  as a function of the temperature for a typical high multiplex rate liquid crystal.

Linear temperature compensation is supported in the PCF8820. The temperature coefficient for  $V_{LCDOUT}$  can be set to one of 8 values by setting bits  $TC_2$  to  $TC_0$ .

### 7.14 Temperature sensor

The PCF8820 has a built-in temperature sensor. The sensor monitors the temperature and writes an 8-bit number into the status register. The temperature sensor and status register can both be accessed via the I<sup>2</sup>C-bus interface controller.

The temperature sensor allows any temperature compensation to be implemented; any programmable parameter can be optimized as a function of the sensor read-out temperature.

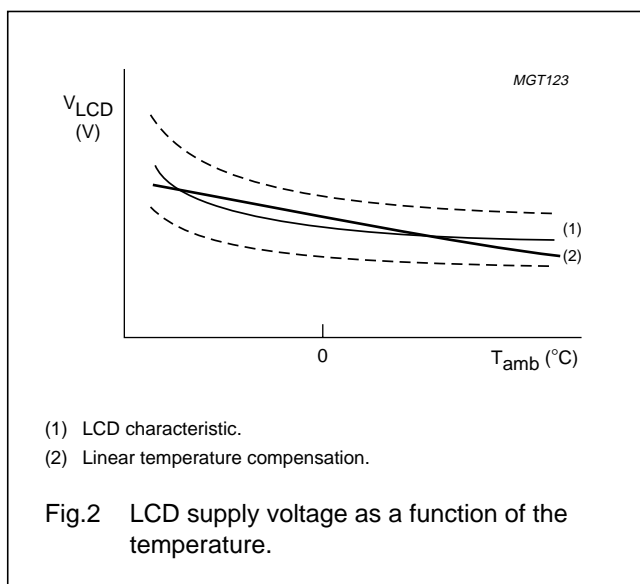
### 7.15 LCD driver waveforms

The LCD waveforms are shown in Figs 3, 4 and 5.

At frame inversion, the PCF8820 generates a dummy row cycle, where no row is selected. This ensures equal conditions for the first row after frame inversion as for the other rows. Therefore the effective multiplex rate in all modes is 1 : (multiplex rate + 1).

### 7.16 DDRAM to display mapping

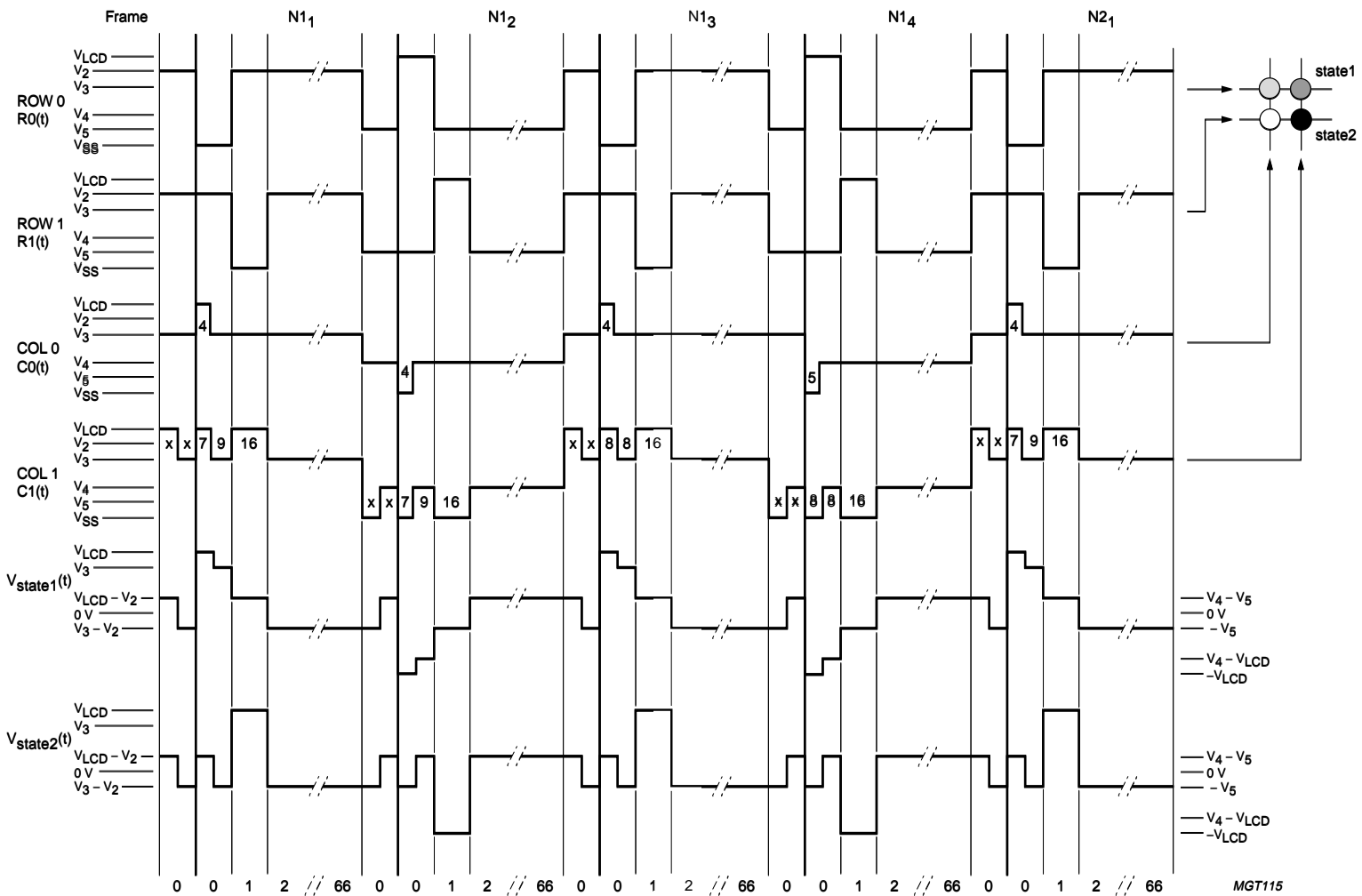
DDRAM to display mapping is shown in Fig.6.





67 × 101 Grey-scale/ECB colour dot matrix LCD driver

PCF8820



Example for setting grey-scale register.  
 ROW0, COL0: GS = 17  
 ROW1, COL0: GS = 0  
 ROW0, COL1: GS = 30  
 ROW1, COL0: GS = 63 (63 will be set to 64; see Section 8.1.8).

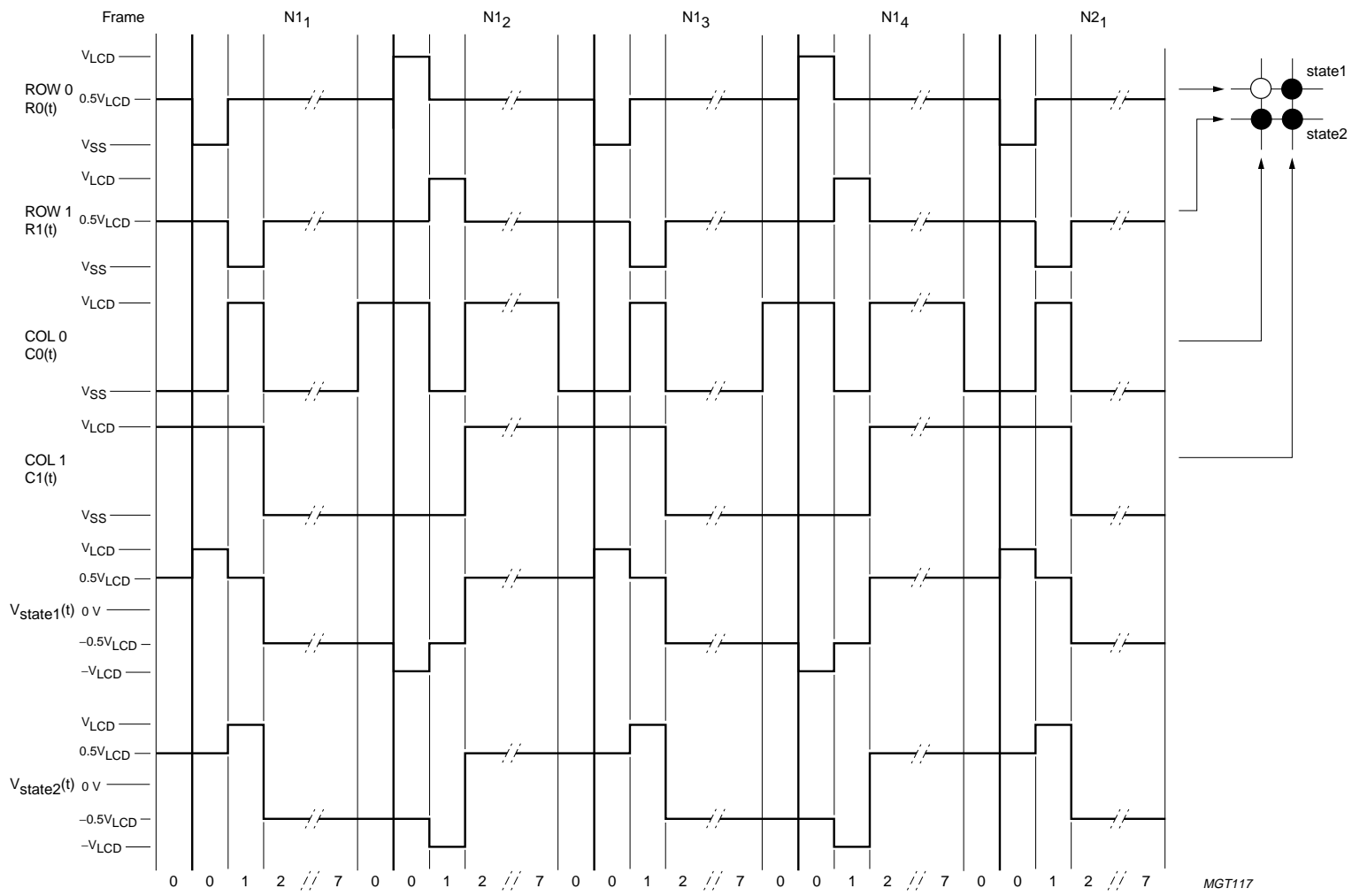
$V_{state1}(t) = C1(t) - R0(t)$   
 $V_{state2}(t) = C1(t) - R1(t)$

Fig.3 Typical LCD driver waveforms at a multiplex rate of 1 : 67.



67 × 101 Grey-scale/ECB colour dot matrix LCD driver

PCF8820



MGT117

Example for setting grey-scale register.

ROW0, COL0: GS = 0

ROW1, COL0: GS = 63 (63 will be set to 64; see Section 8.1.8).

ROW0, COL1: GS = 63 (63 will be set to 64; see Section 8.1.8).

ROW1, COL0: GS = 63 (63 will be set to 64; see Section 8.1.8).

$$V_{state1}(t) = C1(t) - R0(t).$$

$$V_{state2}(t) = C1(t) - R1(t).$$

Fig.5 Typical LCD driver waveforms at a multiplex rate of 1 : 8, for partial screen mode and bias system 1/2.

67 × 101 Grey-scale/ECB colour dot matrix  
LCD driver

PCF8820

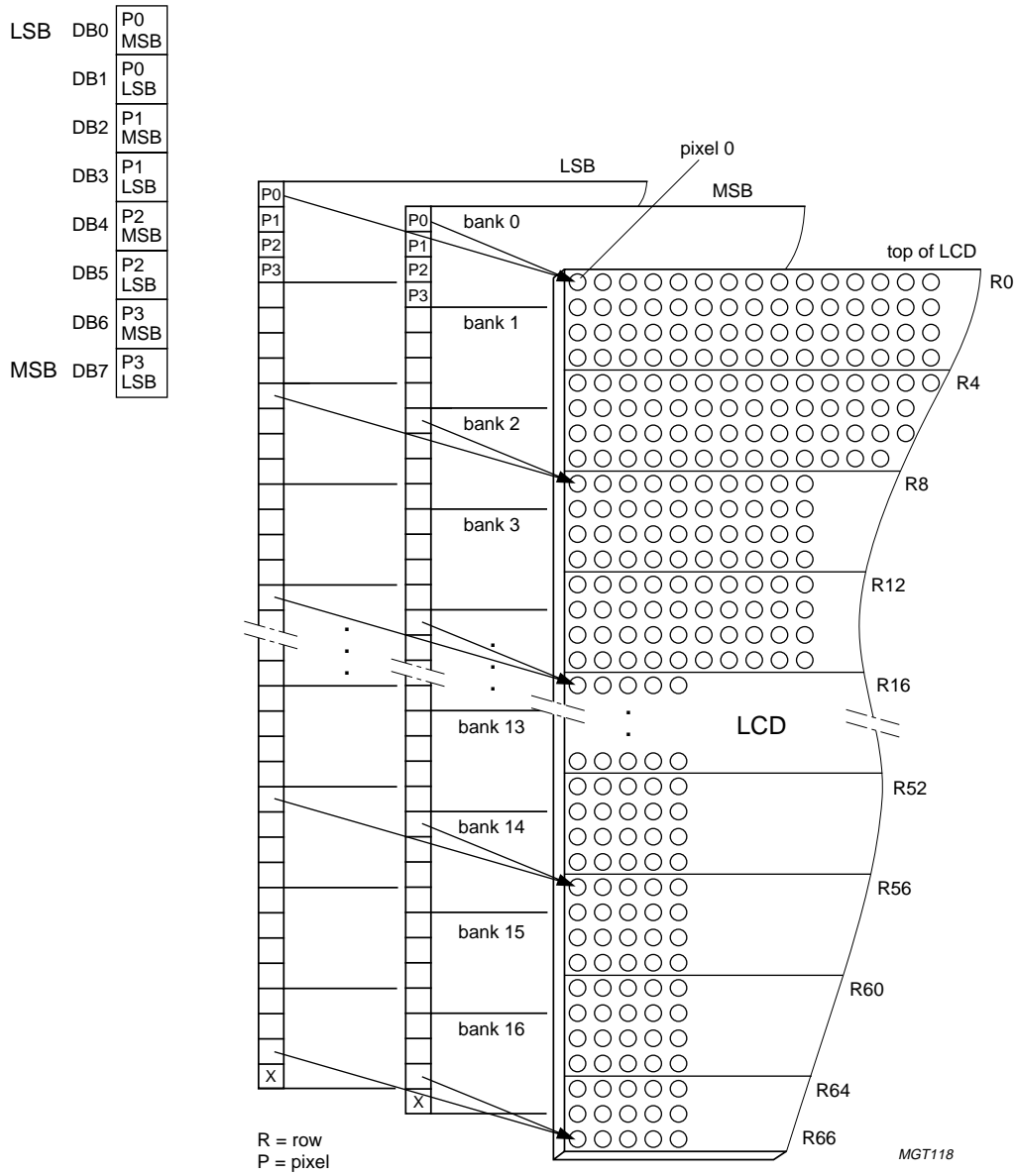


Fig.6 DDRAM to display mapping.

# 67 × 101 Grey-scale/ECB colour dot matrix LCD driver

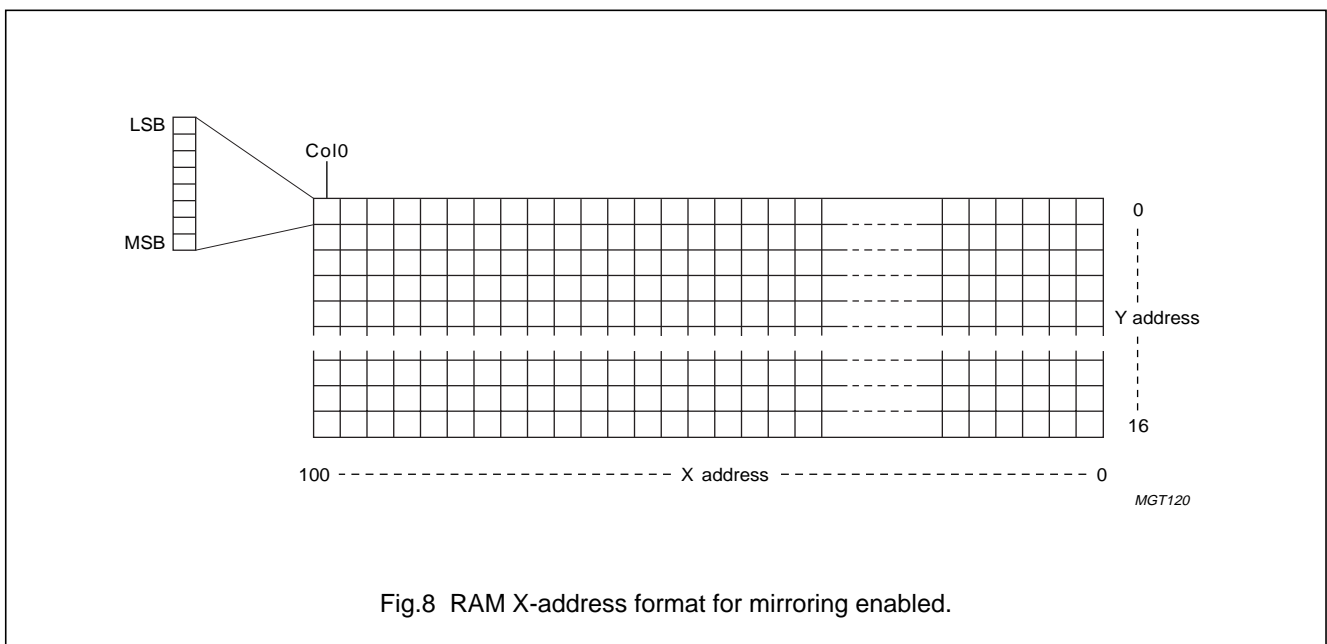
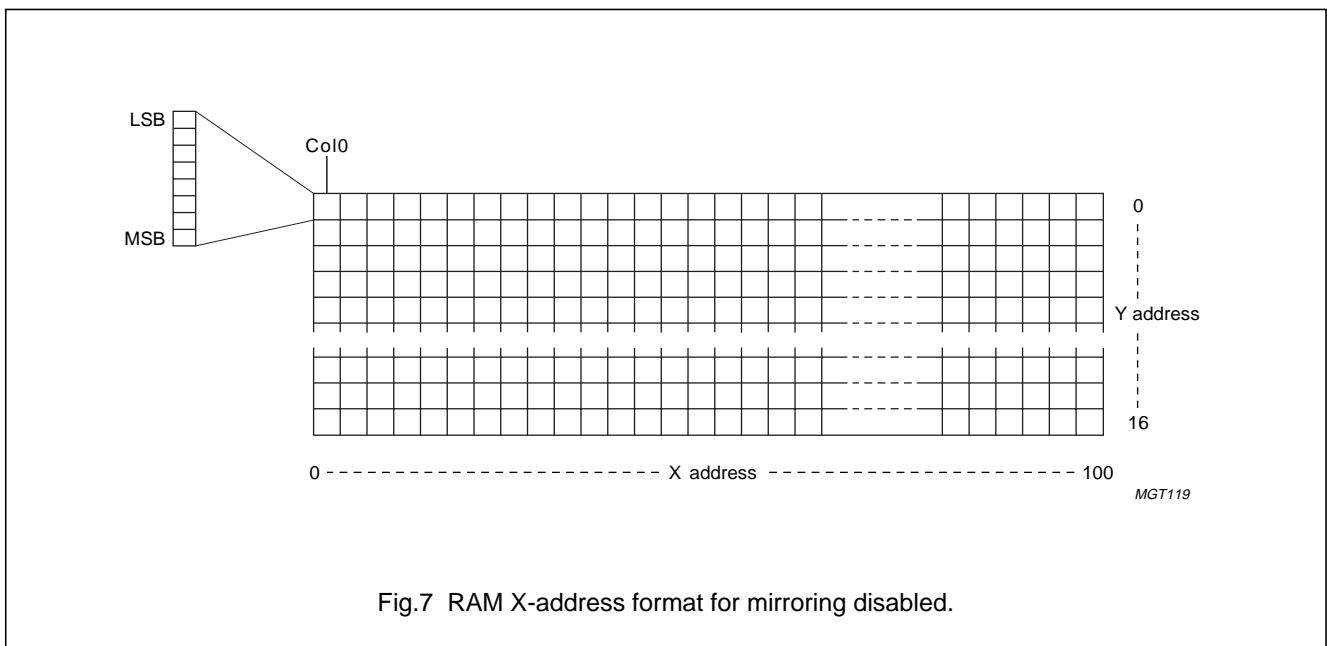
PCF8820

## 7.17 DDRAM addressing

Data is written in 8-bit bytes into the display data RAM matrix of the PCF8820 (see Figs 6 to 8). The display data RAM comprises a matrix of 67 × 101 × 2 bits. The columns are addressed by the address pointer. The address ranges are: X = 0 to 100 (64H) and Y = 0 to 16 (10H). It should be noted that only 3 rows are addressed in bank 16. Addresses outside these ranges are not allowed.

Bit MX (see Table 3) enables or disables horizontal address space mirroring:

- When bit MX = 0, mirroring is disabled. The address corresponds to Col0 (see Fig.7).
- When bit MX = 1, mirroring is enabled and address X = 0 corresponds to Col0 (see Fig.8). Bit MX determines how data is written to the RAM. If bit MX is changed after writing data to the RAM, no change on the display will be visible.



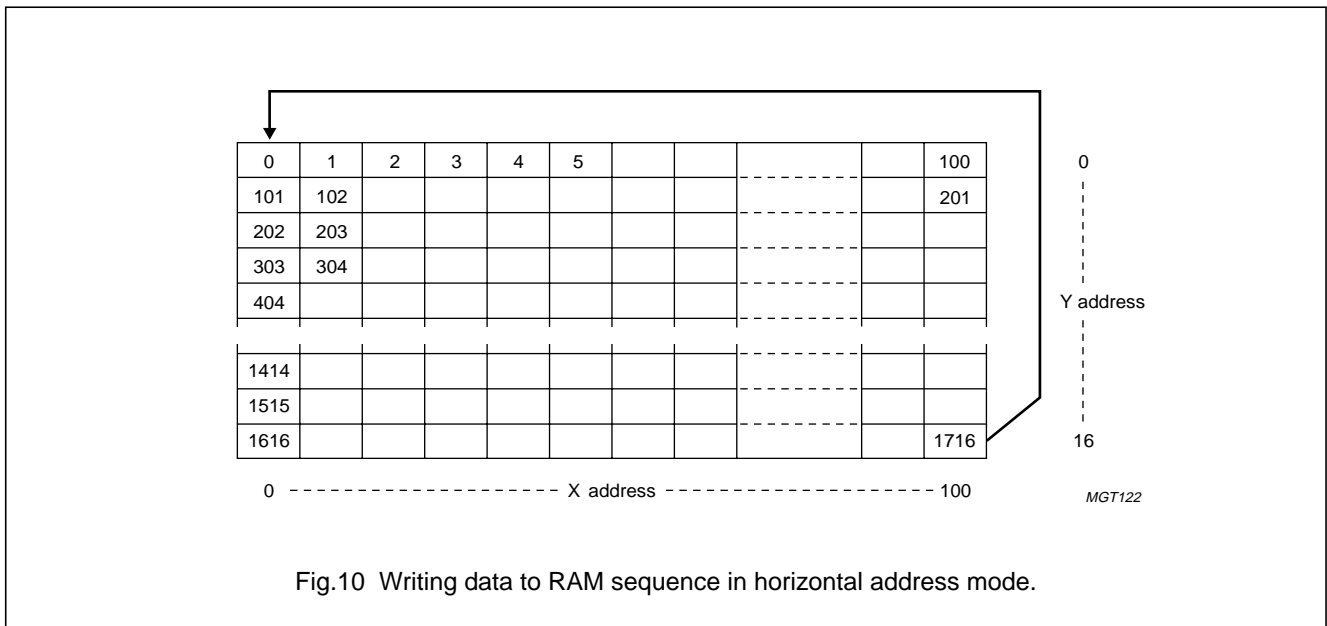
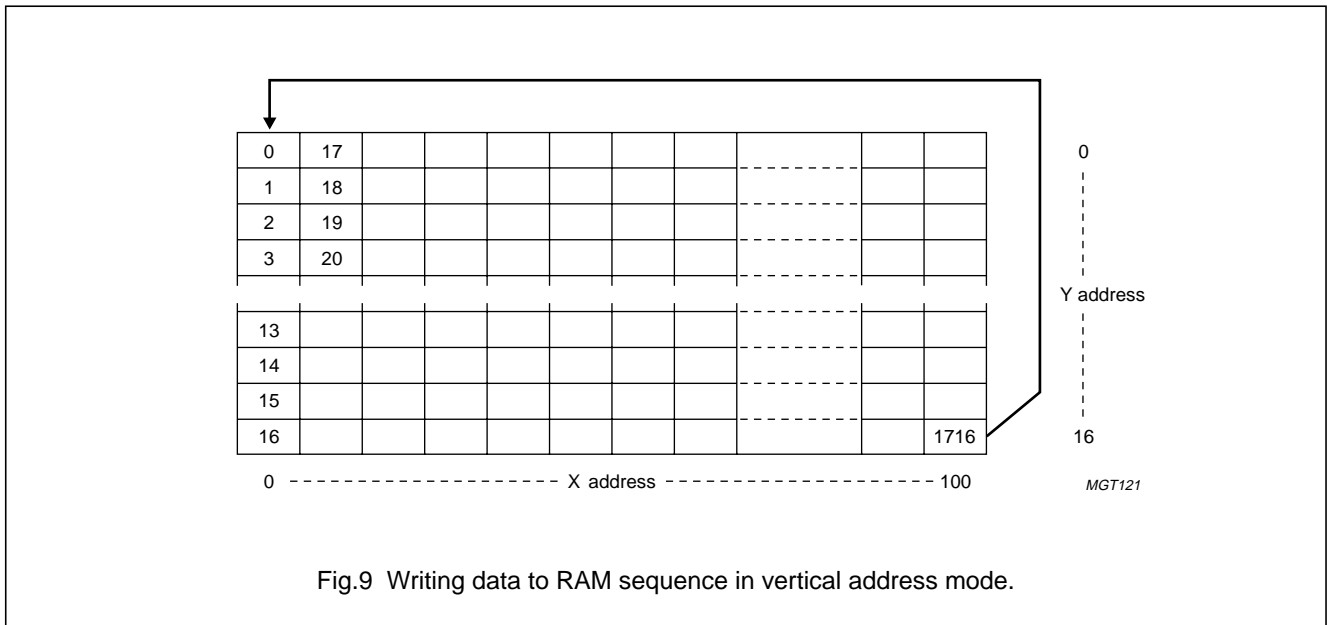
67 × 101 Grey-scale/ECB colour dot matrix  
LCD driver

PCF8820

Bit V (see Table 3) selects either horizontal or vertical address mode:

- In vertical address mode (bit V = 1), the Y-address is incremented after each byte (see Fig.9). After Y = 16, the Y-address sequence returns to Y = 0 and the X-address is incremented to address the next column.
- In horizontal address mode (bit V = 0) the X-address is incremented after each byte (see Fig.10). After X = 100, the X-address sequence returns to X = 0 and the Y-address is incremented to address the next row.

After the very last address (X = 100 and Y = 16), the address pointers return to the first address (X = 0 and Y = 0). It should be noted that in bank 16 only bits DB0 to DB5 of the data will be written into the RAM.



# 67 × 101 Grey-scale/ECB colour dot matrix LCD driver

PCF8820

## 7.18 I<sup>2</sup>C-bus interface

The I<sup>2</sup>C-bus allows bidirectional data communication between different ICs or modules. The serial data input line and serial data output line are connected together, so representing the Serial Data (SDA) line. See Section 13.4 for layout considerations. The SDA line and the Serial Clock Line (SCL) line must be connected to a positive supply voltage via a pull-up resistor. Data transfer may be initiated only when the bus is not busy.

### 7.18.2 START AND STOP CONDITIONS

Both data and clock lines are HIGH when the bus is not busy (see Fig.12).

A START condition (S) occurs when the data line goes from HIGH-to-LOW while the clock is HIGH.

A STOP condition (P) occurs when the data line goes from LOW-to-HIGH while the clock is HIGH.

### 7.18.1 BIT TRANSFER

One data bit is transferred during a clock pulse period. The data on the SDA line must remain stable during the HIGH period of the clock pulse, otherwise any change in the data within this period will be interpreted as a control signal (see Fig.11).

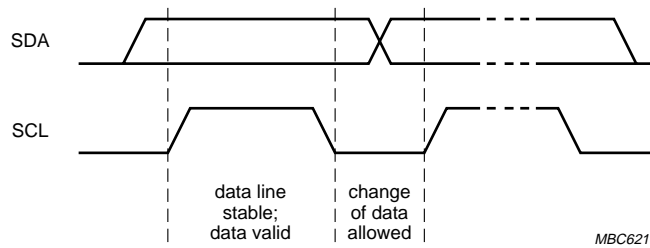


Fig.11 Bit transfer.

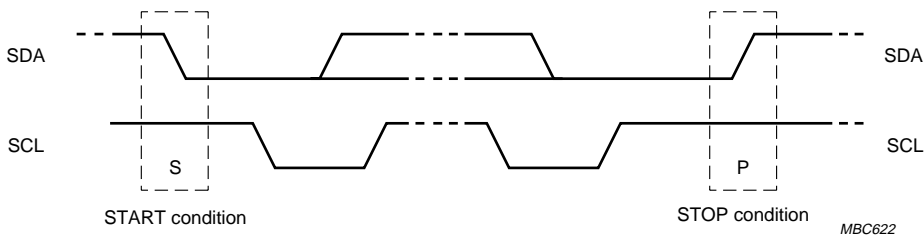


Fig.12 Definition of START and STOP conditions.

# 67 × 101 Grey-scale/ECB colour dot matrix LCD driver

PCF8820

### 7.18.3 SYSTEM CONFIGURATION

The system components are defined below (see Fig.13):

- Transmitter: the device which sends data to the bus
- Receiver: the device which receives data from the bus
- Master: the device which initiates a transfer, generates clock signals and terminates a transfer
- Slave: the device addressed by a master
- Multi-master: more than one master can attempt to control the bus at the same time without corrupting the message
- Arbitration: procedure to ensure that, if more than one master simultaneously tries to control the bus, only one is allowed to do so and the message is not corrupted
- Synchronization: procedure to synchronize the clock signals of two or more devices.

During the acknowledge clock pulse a HIGH-level signal is put on the bus by the transmitter.

A slave receiver which is addressed must generate an acknowledge bit after the reception of each data byte. A master receiver must generate an acknowledge bit after receiving a data byte that has been clocked out of the slave transmitter. The device that acknowledges must pull-down the SDA line to a LOW-level during the acknowledge clock pulse. Set-up and hold times must be taken into consideration to ensure that the SDA line is stable during the HIGH period of the acknowledge related clock pulse.

A master receiver must signal an end-of-data to the slave transmitter by not generating an acknowledge bit on the last byte that has been clocked out of the slave transmitter. In this event the slave transmitter must leave the data line HIGH to allow the master to generate a STOP condition.

### 7.18.4 ACKNOWLEDGE

Each 8-bit data byte transferred over the bus must be followed by an acknowledge bit (see Fig.14).

For the PCF8820 the acknowledge bit is output at pad SDA\_OUT.

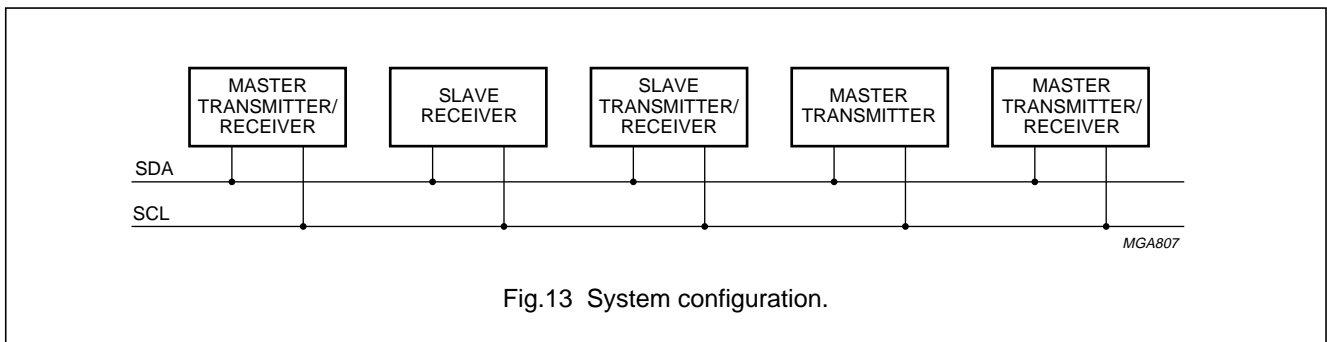


Fig.13 System configuration.

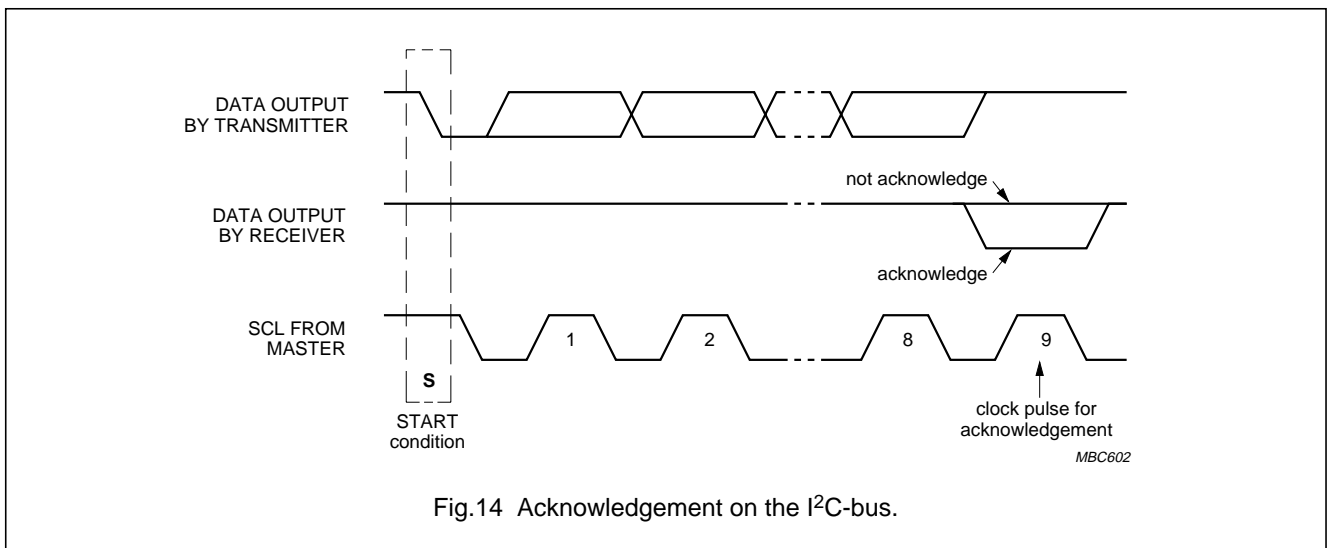


Fig.14 Acknowledgement on the I<sup>2</sup>C-bus.



# 67 × 101 Grey-scale/ECB colour dot matrix LCD driver

## PCF8820

### 7.18.5 I<sup>2</sup>C-BUS PROTOCOL

The PCF8820 is a slave transmitter/receiver. If data is to be read from the device, the SDA\_OUT output must be used.

Before any data is transferred over the I<sup>2</sup>C-bus, the destination device is addressed first (see Fig.15). The PCF8820 has four 7-bit slave addresses reserved: 0111 100, 0111 101, 0111 110 and 0111 111. The two least significant bits of the slave address are set by connecting slave address inputs SA1 and SA0 to either V<sub>SS1</sub> (logic 0) or V<sub>DD1</sub> (logic 1).

A write sequence (see Fig.17) is initiated with a START condition (S) from the I<sup>2</sup>C-bus master which is followed by the slave address. Only the addressed slave acknowledges. After acknowledgement, one or more command words follow which define the status of the addressed slave.

A command word consists of a control byte (see Fig.16) defining 'continuation' bit Co and 'register selection' bit RS, plus a data byte. The last control byte is indicated by resetting bit Co = 0. The control and data bytes are also acknowledged by all addressed slaves on the bus.

Depending on the setting of bit RS in the last control byte, either a series of display data bytes or command data bytes may follow.

If bit RS = 1, the data bytes are stored as display data in the DDRAM at the address specified by the data pointer. The data pointer is automatically incremented. If bit RS = 0, the data byte is interpreted as a command byte to be decoded and the device will be set according to the received commands.

Only the addressed PCF8820 acknowledges after each byte is received. The I<sup>2</sup>C-bus master issues a stop condition (P) at the end of the transmission.

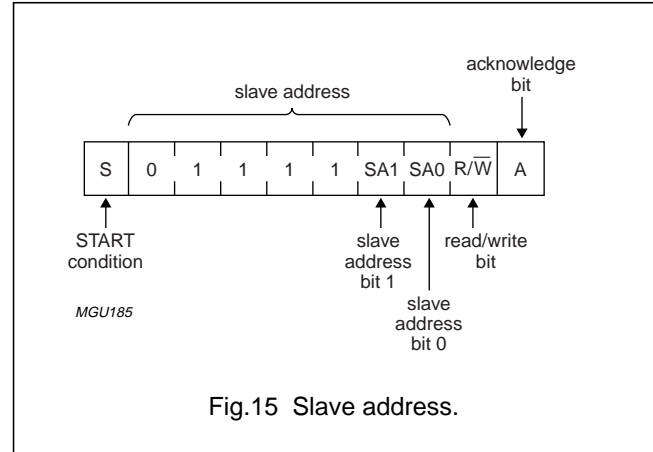


Fig.15 Slave address.

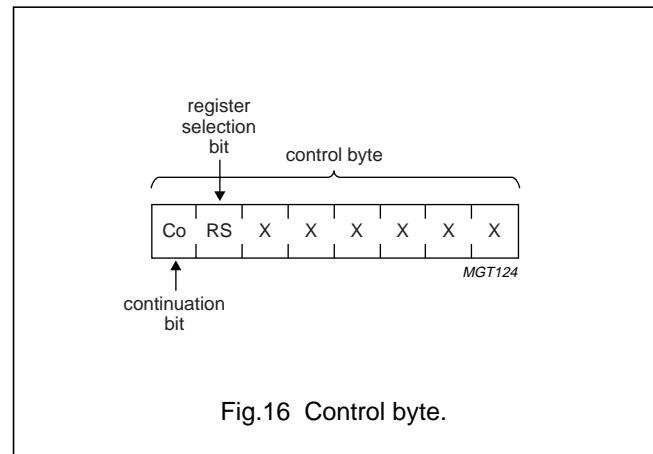


Fig.16 Control byte.

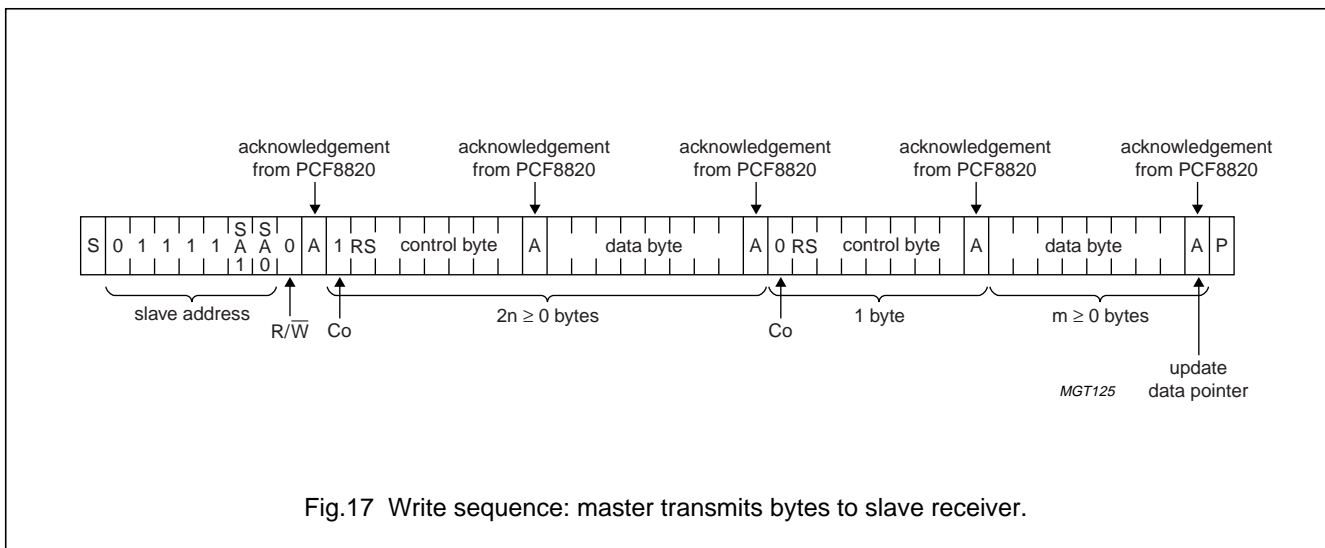


Fig.17 Write sequence: master transmits bytes to slave receiver.

# 67 × 101 Grey-scale/ECB colour dot matrix LCD driver

PCF8820

For a read sequence (see Fig.18), the addressed PCF8820 will immediately start to output the requested data until a NOT acknowledge is transmitted by the master. Before the read access, the user has to set bit RS to the appropriate value by a preceding write access. The sequence should be terminated by a STOP condition when no further access is required, or by a RE-START condition if further access is required.

### 7.18.6 COMMAND DECODER

The command decoder identifies command words received via the I<sup>2</sup>C-bus.

Bit 7 of the control byte is named bit Co (see Fig.16):

- Bit Co = 1 indicates that only one command byte or DDRAM data byte will follow next
- Bit Co = 0 indicates that a stream of command bytes or DDRAM data bytes will follow next depending on last status of bit RS.

Bit 6 of a control byte is named bit RS:

- Bit RS = 1 indicates that another DDRAM data byte will follow next
- Bit RS = 0 indicates that another command byte will follow next.

The definition of bits Co and RS is shown in Table 1.

### 7.18.7 DISPLAY DATA BYTE

A display data byte for grey-scale is shown in Fig.19.

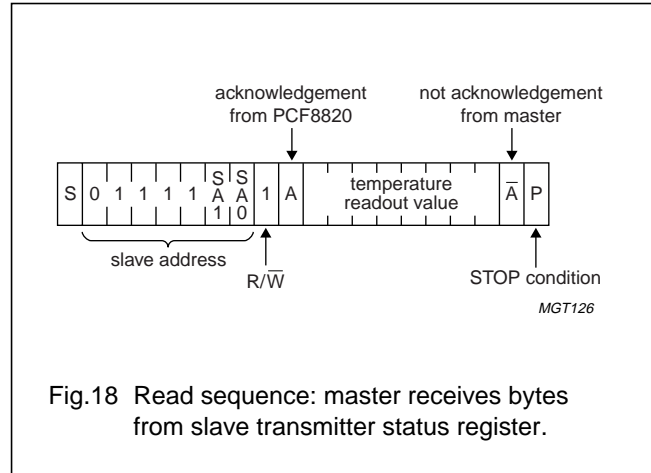


Fig.18 Read sequence: master receives bytes from slave transmitter status register.

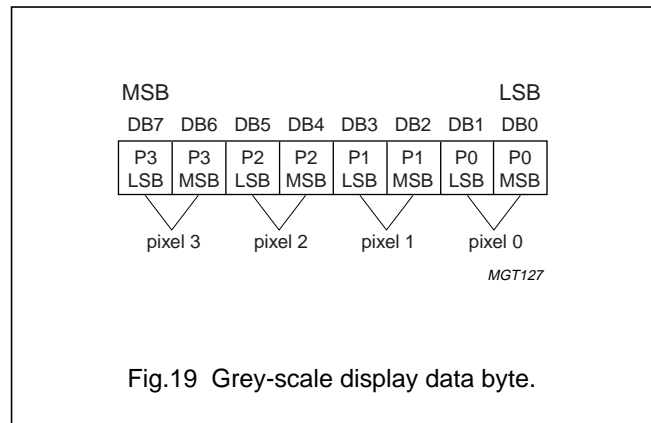


Fig.19 Grey-scale display data byte.

**Table 1** Definition of bits Co and RS

BIT	VALUE	ACTION
Co	0	last control byte to be sent; only a stream of data bytes are allowed to follow; this stream may only be terminated by a STOP or RE-START condition
	1	another control byte will follow the data byte unless a STOP or RE-START condition is received
RS	0	data byte will be decoded and used to set up the device
		data byte will return the sensor temperature read-out
	1	data byte will be stored in the DDRAM
		RAM read-back (not supported)

# 67 × 101 Grey-scale/ECB colour dot matrix LCD driver

PCF8820

## 8 INSTRUCTIONS

The PCF8820 interfaces via the I<sup>2</sup>C-bus. The clock of the LCD is not required to process instructions.

The data received by the PCF8820 is either instruction data which defines its operating mode or display data to be stored in its DDRAM. The type of data is identified by bit RS. When bit RS = 0, the PCF8820 will respond to the instructions. When bit RS = 1, the PCF8820 will load the data into its DDRAM.

There are four types of instruction data whose functions are listed below:

- Define PCF8820 functions, such as display configuration, etc.
- Set DDRAM addresses
- Perform data transfers to DDRAM
- Other functions.

In normal use, the most frequently used instructions are those which perform data transfers to the DDRAM. Address pointer update follows after the data byte has been written to the DRAM. This reduces the program load of the microcontroller.

Undefined register locations are not allowed.

The instruction set comprises several command pages. A command page is selected by setting bits H<sub>0</sub> to H<sub>2</sub>.

The instruction set is given in Table 2.

The bit functions are described in detail in Section 8.1.

**Table 2** Instruction set

INSTRUCTION	CONTROL BITS <sup>(1)</sup>		COMMAND BYTE								DESCRIPTION
	RS	R/W	DB7	DB6	DB5	DB4	DB3	DB2	DB1	DB0	
<b>Independent command page (H<sub>2</sub> = X, H<sub>1</sub> = X, H<sub>0</sub> = X); note 2</b>											
Write data	1	0	D <sub>7</sub>	D <sub>6</sub>	D <sub>5</sub>	D <sub>4</sub>	D <sub>3</sub>	D <sub>2</sub>	D <sub>1</sub>	D <sub>0</sub>	writes data to DDRAM
Read temperature	0	1	TR <sub>7</sub>	TR <sub>6</sub>	TR <sub>5</sub>	TR <sub>4</sub>	TR <sub>3</sub>	TR <sub>2</sub>	TR <sub>1</sub>	TR <sub>0</sub>	reads sensor temperature read-out
NOP	0	0	0	0	0	0	0	0	0	0	no operation
Default H <sub>2</sub> to H <sub>0</sub>	0	0	0	0	0	0	0	0	0	1	jumps to function and RAM command page
<b>Function and RAM command page (H<sub>2</sub> = 0, H<sub>1</sub> = 0, H<sub>0</sub> = 0)</b>											
Instruction set	0	0	0	0	0	0	1	H <sub>2</sub>	H <sub>1</sub>	H <sub>0</sub>	selects a command page
Select function	0	0	0	0	0	1	DO	PD	V	0	data order; power-down control; address mode
Set Y address of DDRAM	0	0	0	1	0	Y <sub>4</sub>	Y <sub>3</sub>	Y <sub>2</sub>	Y <sub>1</sub>	Y <sub>0</sub>	selects Y-address of DDRAM: 0 ≤ Y ≤ 16
Set X address of DDRAM	0	0	1	X <sub>6</sub>	X <sub>5</sub>	X <sub>4</sub>	X <sub>3</sub>	X <sub>2</sub>	X <sub>1</sub>	X <sub>0</sub>	selects X-address of DDRAM: 0 ≤ X ≤ 100
<b>Display setting command page (H<sub>2</sub> = 0, H<sub>1</sub> = 0, H<sub>0</sub> = 1)</b>											
Display control	0	0	0	0	0	0	0	1	D	E	selects display mode
External display control	0	0	0	0	0	0	1	MX	MY	PS	mirror X; mirror Y; partial screen mode
Bias system	0	0	0	0	0	1	0	BS <sub>2</sub>	BS <sub>1</sub>	BS <sub>0</sub>	selects bias system
Bias system <sup>1</sup> / <sub>2</sub>	0	0	0	0	1	1	1	0	0	BS <sup>1</sup> / <sub>2</sub>	set bias system <sup>1</sup> / <sub>2</sub> for partial screen mode

# 67 × 101 Grey-scale/ECB colour dot matrix LCD driver

PCF8820

INSTRUCTION	CONTROL BITS <sup>(1)</sup>		COMMAND BYTE								DESCRIPTION
	RS	R/W	DB7	DB6	DB5	DB4	DB3	DB2	DB1	DB0	
Display part	0	0	0	1	0	0	0	DP <sub>2</sub>	DP <sub>1</sub>	DP <sub>0</sub>	set display for partial screen mode
<b>HVGen command page (H<sub>2</sub> = 0, H<sub>1</sub> = 1, H<sub>0</sub> = 0)</b>											
High voltage generator control	0	0	0	0	0	0	0	1	PRS	HVE	set V <sub>LCDOUT</sub> programming range and high voltage generator on
High voltage generator configuration	0	0	0	0	0	0	1	S <sub>2</sub>	S <sub>1</sub>	S <sub>0</sub>	set voltage multiplier factor
Temperature control	0	0	0	0	0	1	0	TC <sub>2</sub>	TC <sub>1</sub>	TC <sub>0</sub>	set temperature coefficient
Temperature measurement control	0	0	0	0	1	0	0	0	0	SM	start temperature measurement
V <sub>LCD</sub> control	0	0	1	V <sub>OP6</sub>	V <sub>OP5</sub>	V <sub>OP4</sub>	V <sub>OP3</sub>	V <sub>OP2</sub>	V <sub>OP1</sub>	V <sub>OP0</sub>	set V <sub>LCD</sub> register value: 0 ≤ V <sub>OP</sub> ≤ 127
<b>Grey-scale/colour command page (H<sub>2</sub> = 0, H<sub>1</sub> = 1, H<sub>0</sub> = 1)</b>											
Grey-scale register control	0	0	0	1	0	0	0	0	GR <sub>1</sub>	GR <sub>0</sub>	select grey-scale register: 0 ≤ GR ≤ 3
Grey-scale level control	0	0	1	0	GS <sub>5</sub>	GS <sub>4</sub>	GS <sub>3</sub>	GS <sub>2</sub>	GS <sub>1</sub>	GS <sub>0</sub>	set grey-scale register value: 0 ≤ GS ≤ 63
<b>Special feature command page (H<sub>2</sub> = 1, H<sub>1</sub> = 0, H<sub>0</sub> = 0)</b>											
Display off, direct drive mode	0	0	0	0	0	0	0	1	DOF	DM	display off; voltage multiplier in direct drive mode
Oscillator setting	0	0	0	0	0	0	1	0	EC	OC	select external clock; start oscillator calibration
Row block swapping	0	0	0	1	0	TRS	BRS	0	0	0	top row swap; bottom row swap

**Notes**

1. Bit R/W is set in the slave address byte; bit RS is set in the control byte.
2. X = don't care.

# 67 × 101 Grey-scale/ECB colour dot matrix LCD driver

PCF8820

## 8.1 Description of the bit functions

**Table 3** Instruction set bit functions

BIT	RESET STATE	VALUE	FUNCTION
D <sub>7</sub> to D <sub>0</sub>	–	–	data to be written to DDRAM
TR <sub>7</sub> to TR <sub>0</sub>	–	–	read-out value of sensor temperature
H <sub>2</sub> to H <sub>0</sub>	000	000 001 010 011 100	command page numbers function and RAM display setting high voltage generator setting grey-scale/colour special features
DO	0	0 1	data order when written to DDRAM normal (see Fig.6) swapped: DB7 <-> DB0, DB6 <-> DB1, etc.
PD	1	0 1	operation mode operating mode Power-down mode; see Section 8.1.1
V	0	0 1	address mode horizontal address mode: data is written to DDRAM (see Fig.10) vertical address mode: data is written to DDRAM (see Fig.9)
Y <sub>4</sub> to Y <sub>0</sub>	0	–	Y-address of the DDRAM points to the rows; the address range is from 0 to 16 (10H); see Section 8.1.3
X <sub>6</sub> to X <sub>0</sub>	0	–	X-address of the DDRAM points to the columns; the address range is from 0 to 100 (64H)
D, E	00	00 01 10 11	display mode display blank: using the value in grey-scale register 0 all display segments on: using the value in grey-scale register 3 normal mode: using the values of the four grey-scale registers appropriate to the RAM data inverse video: using the values in all four grey-scale registers as in normal mode but with their values swapped (GS <sub>0</sub> and GS <sub>3</sub> values transposed, GS <sub>1</sub> and GS <sub>2</sub> values transposed)
MX	0	0 1	horizontal address space mirroring; see Figs 7 and 8; see Table 10 disabled: data to DDRAM is written from left (X = 0) to right (X = 100) enabled: data to DDRAM is written from right (X = 0) to left (X = 100)
MY	0	0 1	vertical address space mirroring; see Table 10 disabled: normal display enabled: data is immediately mirrored vertically on the LCD. The status of bit MY takes effect when data is read from the DDRAM and when generating column signals.

**67 × 101 Grey-scale/ECB colour dot matrix  
LCD driver**

PCF8820

BIT	RESET STATE	VALUE	FUNCTION
PS	0	0 1	screen mode full display mode: multiplex rate is 1 : 67 partial screen mode: multiplex rate is 1 : 8; see Section 8.1.2.
BS <sub>2</sub> , BS <sub>1</sub> , BS <sub>0</sub>	000	–	bias system selection bits; see Section 8.1.4
BS <sup>1/2</sup>	0	0 1	bias system selection setting of bits BS2 to BS0 bias system <sup>1/2</sup> ; see Section 8.1.4
DP <sub>2</sub> , DP <sub>1</sub> , DP <sub>0</sub>	000	000 111	display part DDRAM bank 0 to 1: first 8 rows DDRAM bank 14 to 15: last 8 rows
PRS	0	0 1	V <sub>LCDOUT</sub> programming range; see Fig.20 LOW range HIGH range
HVE	0	0 1	high voltage generator disabled enabled
S <sub>2</sub> , S <sub>1</sub> , S <sub>0</sub>	000	000 001 010 011 100 101 110	voltage multiplier factor; see Section 8.1.5 2 × V <sub>DD2</sub> 3 × V <sub>DD2</sub> 4 × V <sub>DD2</sub> 5 × V <sub>DD2</sub> 6 × V <sub>DD2</sub> 7 × V <sub>DD2</sub> 8 × V <sub>DD2</sub>
TC <sub>2</sub> , TC <sub>1</sub> , TC <sub>0</sub>	000	000 001 010 011 100 101 110 111	temperature coefficient; see Chapter 11 coefficient 0 coefficient 1 coefficient 2 coefficient 3 coefficient 4 coefficient 5 coefficient 6 coefficient 7
SM	0	0 1	temperature measurement no measurement start measurement
V <sub>OP6</sub> to V <sub>OP0</sub>	0	–	V <sub>LCD</sub> control register bits; see Section 8.1.7

**67 × 101 Grey-scale/ECB colour dot matrix  
LCD driver**

PCF8820

BIT	RESET STATE	VALUE	FUNCTION
GR <sub>1</sub> , GR <sub>0</sub>	00	00 01 10 11	grey-scale register selection: register 0: applied if DDRAM content is 00 register 1: applied if DDRAM content is 01 register 2: applied if DDRAM content is 10 register 3: applied if DDRAM content is 11
GS <sub>5</sub> to GS <sub>0</sub>	0	–	grey-scale level bits; in the reset state all 4 grey-scale registers are reset to 0; see Section 8.1.8
DOF	1	0 1	display on/off display on display off: the state of the PCF8820 is equivalent to Power-down mode (bit PD = 1). However, temperature measurement is still possible
DM	0	0 1	drive of voltage multiplier no direct drive direct drive: V <sub>LCDOUT</sub> = V <sub>DD2</sub> ; see Section 8.1.9
EC		0 1	clock selection internal clock external clock
OC	0	0 1	oscillator setting; see Section 8.1.10 stop calibration of frame frequency start calibration of frame frequency
TRS	0	0 1	top rows not swapped swapped: the signals for row driver outputs R23 to R33 appear at outputs R56 to R66, and the signals for row driver outputs R56 to R66 appear at outputs R23 to R33
BRS	0	0 1	bottom rows not swapped swapped: the signals for row driver outputs R0 to R22 appear at outputs R34 to R55, and the signals for row driver outputs R34 to R55 appear at outputs R0 to R22

## 67 × 101 Grey-scale/ECB colour dot matrix LCD driver

PCF8820

### 8.1.1 POWER-DOWN MODE

During power-down (bit PD = 1) all static currents are switched off (no internal oscillator, no timing, no LCD segment drive system) and all LCD outputs are internally connected to  $V_{SS}$ .

To decrease the voltage at  $V_{LCDOUT}$  very fast the following features can be used:

- Select the direct drive mode by setting bit DM = 1 resulting in  $V_{LCDOUT} = V_{DD2}$
- Select the non direct drive mode by setting bit DM = 0, resulting in  $V_{LCDOUT} = 0$  V (output high-impedance).

During power-down:

- All LCD outputs at  $V_{SS}$  (display off)
- Oscillator is off
- Intermediate bias voltage generator is off
- High voltage generator is disabled; however, the status of bit HVE is unchanged (see Table 8)
- An external  $V_{LCD}$  can be disconnected from  $V_{LCDIN}$
- The I<sup>2</sup>C-bus is operational; commands can be executed
- DDRAM contents is not cleared; DDRAM data can be written
- Register settings remain unchanged
- Temperature measurement is not possible.

### 8.1.2 PARTIAL SCREEN MODE

Partial screen mode allows data to be displayed of DDRAM bank 0 to 1 on the first 8 rows or bank 14 to 15 on the last 8 rows, depending on the status of bits DP<sub>2</sub> to DP<sub>0</sub>.

If bit MY = 0, data is displayed either on rows 0 to 7 (first 8 rows) or on rows 56 to 63 (last 8 rows).

If bit MY = 1, data is displayed either on rows 66 to 59 (first 8 rows) or on rows 10 to 3 (last 8 rows).

The partial screen mode also allows  $V_{LCDIN}$  to be reduced to save power.

Frame frequency calibration is not allowed in the partial screen mode.

### 8.1.3 Y-ADDRESS OF DDRAM

Bits Y<sub>4</sub> to Y<sub>0</sub> define the Y-address of the DDRAM.

**Table 4** Y-address

Y <sub>4</sub>	Y <sub>3</sub>	Y <sub>2</sub>	Y <sub>1</sub>	Y <sub>0</sub>	RAM BANK
0	0	0	0	0	bank 0
0	0	0	0	1	bank 1
0	0	0	1	0	bank 2
0	0	0	1	1	bank 3
0	0	1	0	0	bank 4
0	0	1	0	1	bank 5
0	0	1	1	0	bank 6
0	0	1	1	1	bank 7
0	1	0	0	0	bank 8
0	1	0	0	1	bank 9
0	1	0	1	0	bank 10
0	1	0	1	1	bank 11
0	1	1	0	0	bank 12
0	1	1	0	1	bank 13
0	1	1	1	0	bank 14
0	1	1	1	1	bank 15
1	0	0	0	0	bank 16

### 8.1.4 BIAS SYSTEM

Different LCD bias voltage settings are required at different multiplex rates. The status of bits BS<sub>2</sub> to BS<sub>0</sub> and bit BS<sup>1/2</sup> select different 'bias systems' which determine the intermediate bias voltage levels between  $V_{LCDIN}$  and  $V_{SS1}$ . It should be noted that the bias system selected by bit BS<sup>1/2</sup> is independent of the bias systems selected by bits BS<sub>2</sub> to BS<sub>0</sub>.

A value 'n' attributed to each bias system is used to calculate these levels (see Table 5).

The optimum value for 'n' is given by:  $n = \sqrt{M} - 3$  where M is the multiplex rate.

Table 6 shows how bias voltage levels are calculated for three of the available bias systems using supported 'n' values.



## 67 × 101 Grey-scale/ECB colour dot matrix LCD driver

PCF8820

**Table 5** Programming the required bias system

BS2	BS1	BS0	BS <sup>1/2</sup>	n	BIAS SYSTEM	COMMENT
0	0	0	0	7	1/11	
0	0	1	0	6	1/10	
0	1	0	0	5	1/9	recommended at multiplex rate 1 : 67
0	1	1	0	4	1/8	
1	0	0	0	3	1/7	
1	0	1	0	2	1/6	
1	1	0	0	1	1/5	
1	1	1	0	0	1/4	recommended at multiplex rate 1 : 8
X	X	X	1	-2	1/2	allows a lower V <sub>LCDIN</sub> at multiplex rate 1 : 8

**Table 6** Examples of LCD bias voltages

BIAS VOLTAGE LEVEL ON PAD	CALCULATING BIAS VOLTAGE	BIAS SYSTEM		
		1/9 (n = 5)	1/4 (n = 0)	1/2 (n = -2)
V <sub>LCDOUT</sub>	V <sub>LCDIN</sub>	V <sub>LCDIN</sub>	V <sub>LCDIN</sub>	V <sub>LCDIN</sub>
V <sub>2</sub>	$\frac{n+3}{n+4} \times V_{LCDIN}$	$\frac{8}{9} \times V_{LCDIN}$	$\frac{3}{4} \times V_{LCDIN}$	$\frac{1}{2} \times V_{LCDIN}$
V <sub>3</sub>	$\frac{n+2}{n+4} \times V_{LCDIN}$	$\frac{7}{9} \times V_{LCDIN}$	$\frac{1}{2} \times V_{LCDIN}$	V <sub>SS1</sub>
V <sub>4</sub>	$\frac{2}{n+4} \times V_{LCDIN}$	$\frac{2}{9} \times V_{LCDIN}$	$\frac{1}{2} \times V_{LCDIN}$	V <sub>LCDIN</sub>
V <sub>5</sub>	$\frac{1}{n+4} \times V_{LCDIN}$	$\frac{1}{9} \times V_{LCDIN}$	$\frac{1}{4} \times V_{LCDIN}$	$\frac{1}{2} \times V_{LCDIN}$
V <sub>SS1</sub>	V <sub>SS1</sub>	V <sub>SS1</sub>	V <sub>SS1</sub>	V <sub>SS1</sub>

### 8.1.5 HIGH VOLTAGE GENERATOR CONFIGURATION

The PCF8820 incorporates a software configurable voltage multiplier which uses a charge pump circuit supplied by V<sub>DD2</sub> and V<sub>DD3</sub>. After a reset the voltage multiplier factor is set to 2 (V<sub>LCDOUT</sub> = 2 × V<sub>DD2</sub>). Other voltage multiplier factors are set by bits S<sub>2</sub> to S<sub>0</sub>.

To reduce high current peaks at voltage multiplier start-up, it is recommended that the voltage multiplier is switched on using the following procedure:

1. Set bit DM = 1 and bit PD = 1
2. Set multiplication factor to 2 by setting bits S<sub>2</sub> to S<sub>0</sub> to logic 0
3. Set register value V<sub>OP</sub> to the desired value, bit PRS = 1 and bit HVE = 1
4. Set bit PD = 0, which switches on the charge pump (at multiplication factor 2)

5. Increment the multiplication factor to the desired value for V<sub>LCDOUT</sub> using bits S<sub>2</sub> to S<sub>0</sub>.

### 8.1.6 TEMPERATURE READ-OUT

The PCF8820 has a built-in temperature sensor. At the end of a temperature measurement, the sensor writes a temperature value to the status register. The temperature value is an 8-bit number represented by bits TR<sub>7</sub> to TR<sub>0</sub> in the status register which can be read via the I<sup>2</sup>C-bus.

To save power, the sensor need only be enabled when a measurement is required. A measurement is initialized by setting bit SM = 1 which will be automatically cleared after 5 clock cycles (from internal oscillator or external clock). The internal oscillator will be initialized and allowed to warm-up for approximately 2 frame periods, after which a measurement will be initiated at the start of the next frame and completing after 2 frames.

67 × 101 Grey-scale/ECB colour dot matrix LCD driver

PCF8820

It is not possible to measure temperature in Power-down mode.

During a temperature measurement, the status register value remains zero until the measurement has completed and then the register is updated with the current temperature value (non-zero value). Because the I<sup>2</sup>C-bus interface is asynchronous to the temperature measurement, the value read from the status register should be validated by reading the status register a few times.

During a temperature measurement, the temperature coefficient (TC) has to be selected.

The ideal temperature read-out can be calculated by the equation:  $TR_{ideal} = 128 + (T - 27\text{ °C}) \times \frac{1}{a}$

where T is the on-chip temperature in °C and 'a' is the conversion constant (see Chapter 11).

To improve the accuracy of the temperature measurement, it is recommended that the temperature read-out is calibrated during the product's final assembly. Calibration of the temperature read-out requires a measurement to be made at a defined ideal temperature. The offset between the ideal temperature value and the measured temperature value is calculated by:

$$TR_{offset} = TR_{ideal} - TR_{meas}$$

where TR<sub>meas</sub> is the actual temperature read-out of the PCF8820. The offset value must be stored in a non-volatile register, such as an EEPROM.

A calibrated temperature read-out can be calculated for each measurement by the equation:

$$TR_{cal} = TR_{meas} + TR_{offset}$$

The accuracy after the calibration is ±10% ±1 bit of the difference between the measured temperature and the calibration temperature. For this reason, it is recommended that a calibration is performed at or near the most sensitive LCD temperature.

For example: calibration temperature is 25 °C and the measured temperature is -20 °C. The relative error  $A = \pm 0.10 \times \{25 - (-20)\} \pm 1 \text{ bit} \times a$

$$A = \pm 4.5 \pm 1.13$$

$$A = \pm 5.63\text{ °C}.$$

This calibration accuracy is valid for temperature measurements made when the supply voltage value is the same as when it was calibrated.

8.1.7 V<sub>LCD</sub> CONTROL REGISTER

The V<sub>LCDOUT</sub> value can be set by software using the bits V<sub>OP6</sub> to V<sub>OP0</sub> of the V<sub>LCD</sub> control register.

The programmed value for V<sub>LCD</sub> has to be calculated for a reference temperature, called the cut-point temperature T<sub>cp</sub>, using the equation:

$$V_{LCD}(\text{at } T_{cp}) = a + b \times V_{OP}$$

The values for parameters T<sub>cp</sub>, a and b are given in Table 7, and their relationship with the V<sub>LCD</sub> control register values are shown in Fig.20.

The V<sub>LCDOUT</sub> generated is dependent on the operating temperature T<sub>oper</sub>, the selected temperature coefficient TC and the programmed value for V<sub>LCD</sub> at the reference temperature T<sub>cp</sub> and is calculated by the equation:

$$V_{LCD}(\text{at } T_{oper}) = V_{LCD}(\text{at } T_{cp}) \times \{1 + TC \times (T_{oper} - T_{cp})\}$$

Two overlapping V<sub>LCD</sub> ranges are selectable by bit PRS (see Table 7 and Fig.20). The maximum voltage that can be generated depends on the values of V<sub>DD2</sub> and V<sub>DD3</sub>, and the display load current. At a multiplex rate of 1 : 67, the optimum operating voltage for the LCD can be calculated by the equation:

$$V_{LCD} = \frac{1 + \sqrt{67 + 1}}{\sqrt{2 \times \left(1 - \frac{1}{\sqrt{67 + 1}}\right)}} \times V_{th} \approx 6.975 \times V_{th}$$

where V<sub>th</sub> is the threshold voltage of the liquid crystal material used.

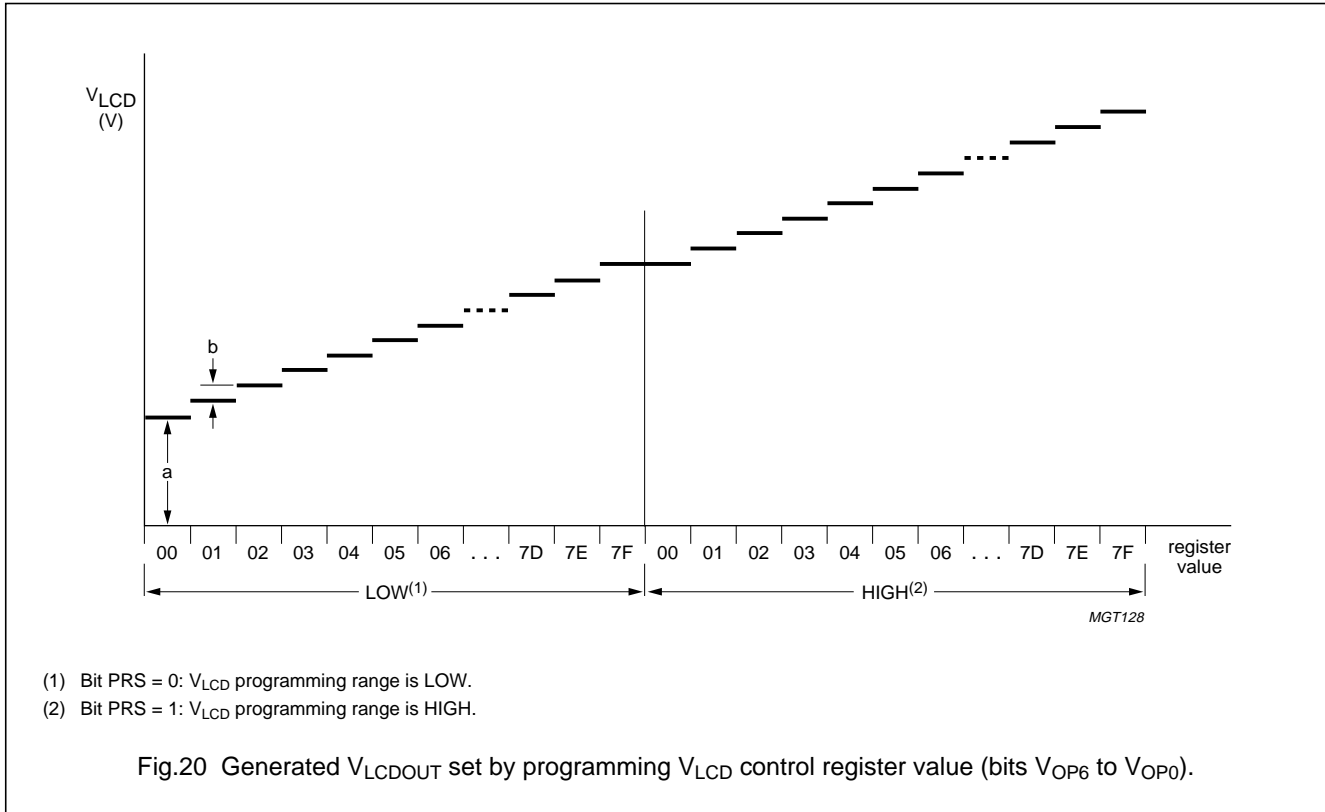
The practical value for V<sub>LCD</sub> is determined by equating V<sub>off(rms)</sub> with the defined LCD threshold voltage (V<sub>th</sub>), which is the typically value when the LCD exhibits approximately 10% contrast.

**Table 7** Parameter values for programming V<sub>LCD</sub> control register

SYMBOL	VALUE		UNIT
	BIT PRS = 0	BIT PRS = 1	
T <sub>cp</sub>	23.0	23.0	°C
a	4.500	10.215	V
b	0.045	0.045	V
programming range	4.5 to 10.215	10.215 to 15.93	V

67 × 101 Grey-scale/ECB colour dot matrix LCD driver

PCF8820



The programming range for the generated  $V_{LCDOUT}$  allows values above the maximum value of  $V_{LCD}$ . Therefore, the user must ensure that the  $V_{LCD}$  control register value and the temperature coefficient selected, will never allow the maximum  $V_{LCD}$  limit to be exceeded for all conditions and including all tolerances. The customer must also ensure that the  $V_{LCD}$  control register value will never be lower than  $V_{DD1}$  or  $V_{DD2}$ , except in the Power-down mode, for all conditions and including all tolerances.

8.1.8 GREY-SCALE REGISTER AND GREY-SCALE LEVEL

The PCF8820 has 4 grey-scale registers selected by bits  $GR_0$  and  $GR_1$ , which define the four grey intensity levels. Each of the 4 registers contain 6 bits allowing to select one out of the 64 grey levels. A grey-scale register must be addressed before it can be written to by using the instruction 'Grey-scale register' (see Table 2). The content of the grey-scale register (bits  $GS_5$  to  $GS_0$ ) is set by the instruction 'Grey-scale level control' (see Table 2). It should be noted that a grey-scale register setting of 63 is internally converted to 64. Even numbers are preferred; odd numbers produce a small DC component in the waveform of the respective column (see Fig.3).

The grey-scale level for each pixel is effected by writing the resultant grey-scale register value into the DDRAM (see Fig.6).

One of the grey-scale registers can be used to create a blinking cursor. The intensity of the pixels comprising the cursor are to be defined by the value in the grey-scale register. The brightness/colour of the cursor pixels can be changed by selecting a different grey-scale register containing a different grey-scale value.

A blinking cursor can be effected by continuously switching the content of one grey-scale register between the two grey-scales from e.g. white to black and back again with a frequency of 2 Hz giving the impression of a blinking cursor. This procedure causes less load for the microcontroller than changing all pixels which form the desired cursor. This implies the display has 3 grey-scale levels left e.g. off, grey and on.

67 × 101 Grey-scale/ECB colour dot matrix LCD driver

PCF8820

8.1.9 DIRECT DRIVE MODE

The voltage multiplier is in the direct drive mode ( $V_{LCDOUT} = V_{DD2}$ ) in the following settings (see Table 8):

- If bit DM = 1 and Power-down mode (bit PD = 1)
- If bit DM = 1 and display off mode (bit DOF = 1)
- If bit DM = 1 and high voltage generator is disabled (bit HVE = 0).

It is recommended to always select the direct drive mode before switching on the voltage multiplier. This is a feature which can be used to reduce  $V_{LCDOUT}$  very quickly, or to avoid high current when the voltage multiplier starts up.

Output  $V_{LCDOUT}$  is high-impedance when bit DM = 0 and bit PD = 1, bit DM = 0 and bit DOF = 0 or when bit DM = 0, bit PD = 0 and bit HVE = 0.

**Table 8** Output  $V_{LCDOUT}$  as a function of bits DM, HVE, PD and DOF; note 1

DM	HVE	PD	DOF	$V_{LCDOUT}$
0	X	1	X	high Z
0	X	X	1	high Z
0	0	0	0	high Z
1	0	0	0	$V_{DD2}$
1	X	1	X	$V_{DD2}$
1	X	X	1	$V_{DD2}$
X	1	0	0	internally generated $V_{LCD}$

**Note**

1. X = don't care.

8.1.10 FRAME FREQUENCY CALIBRATION

The PCF8820 uses on-chip software to calibrate the frame frequency. After reset, the frame frequency calibration is disabled (bit OC = 0). Frame frequency calibration can only be performed if the PCF8820 is not in Power-down mode or in the partial screen mode.

The calibration is initiated by setting bit OC = 1 and is stopped by setting bit OC = 0. The time between calibration start and stop must be 190  $\mu$ s to give a frame frequency of 77 Hz (typical value).

All other commands are allowed during a calibration.

The frame frequency calibration uses a pre-divider which has a range from 1 : 1 to 1 : 15. The default ratio after reset is 1 : 4. The calibration period determines the pre-divider ratio for the oscillator frequency or external clock signal.

The resulting frame frequency is calculated by the

$$\text{equation: } f_{\text{frame}} = \frac{f_{\text{clk}}}{1088} \times \text{pre-divider ratio [Hz]}$$

where  $f_{\text{clk}}$  can be either the internal oscillator clock signal or an external clock signal source.

Figure 21 shows the resulting frame frequency at different clock frequencies and at different pre-divider ratios, for a calibration period of 190  $\mu$ s.

The frame frequency calibration can also be used to set the frame frequency to a lower than typical value with a corresponding reduction in current consumption. The necessary calibration period (time between calibration start and stop) can be estimated by the equation:

$$t_{\text{cal}} = \frac{77 \text{ (Hz)} \times 190 \text{ (\mu s)}}{f_{\text{frame}}}$$

where  $t_{\text{cal}}$  is the calibration time in  $\mu$ s and  $f_{\text{frame}}$  is the desired frame frequency in Hz.

Figure 22 shows the resulting frame frequency as a function of the calibration period at different pre-divider ratios at a clock frequency of 336 kHz.

**8.2 Reset and initialization**

After power-on the content of all internal registers including the DDRAM are in an undefined state. A reset pulse must be applied within a specified time to reset all internal registers. A reset can be achieved by applying an external reset pulse (active LOW) to pad  $\overline{\text{RES}}$ . When reset occurs within the specified time all internal registers are reset, however the DDRAM is still undefined.

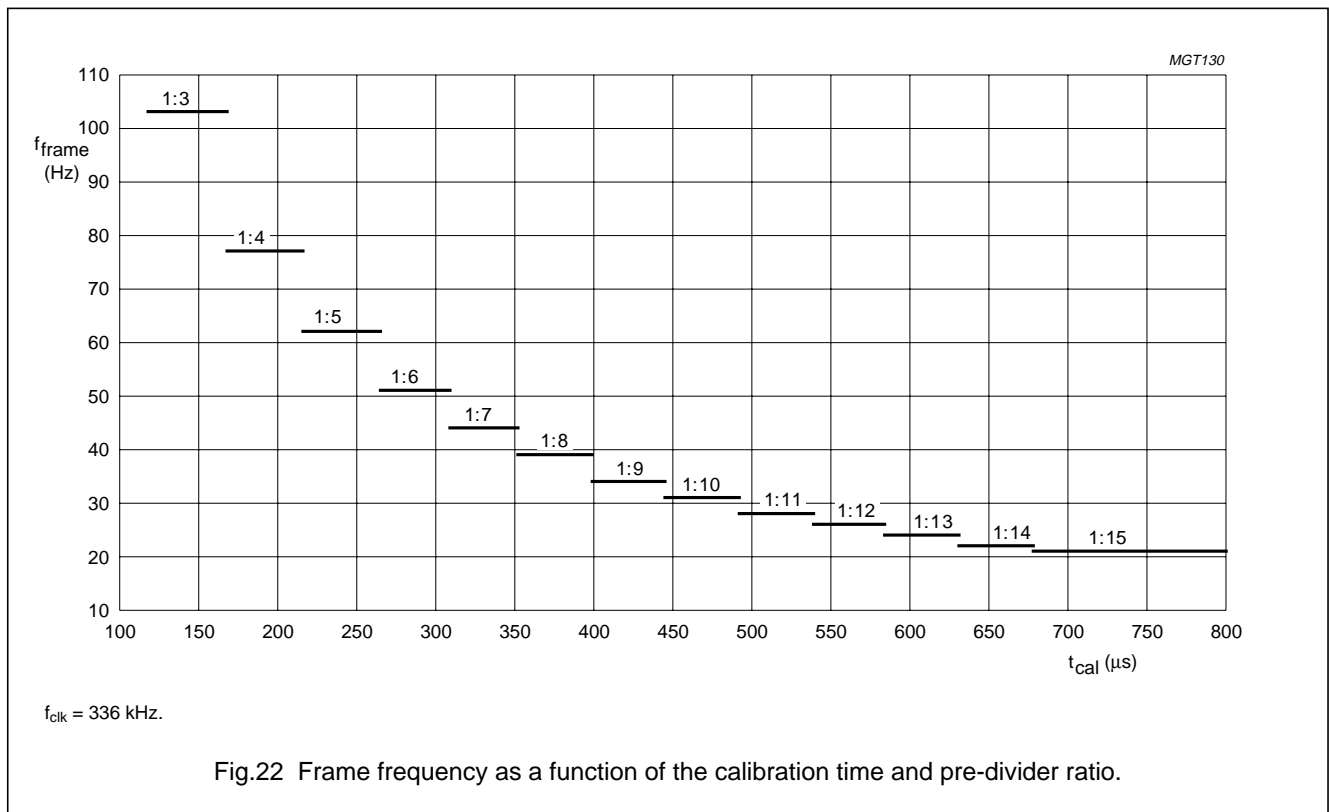
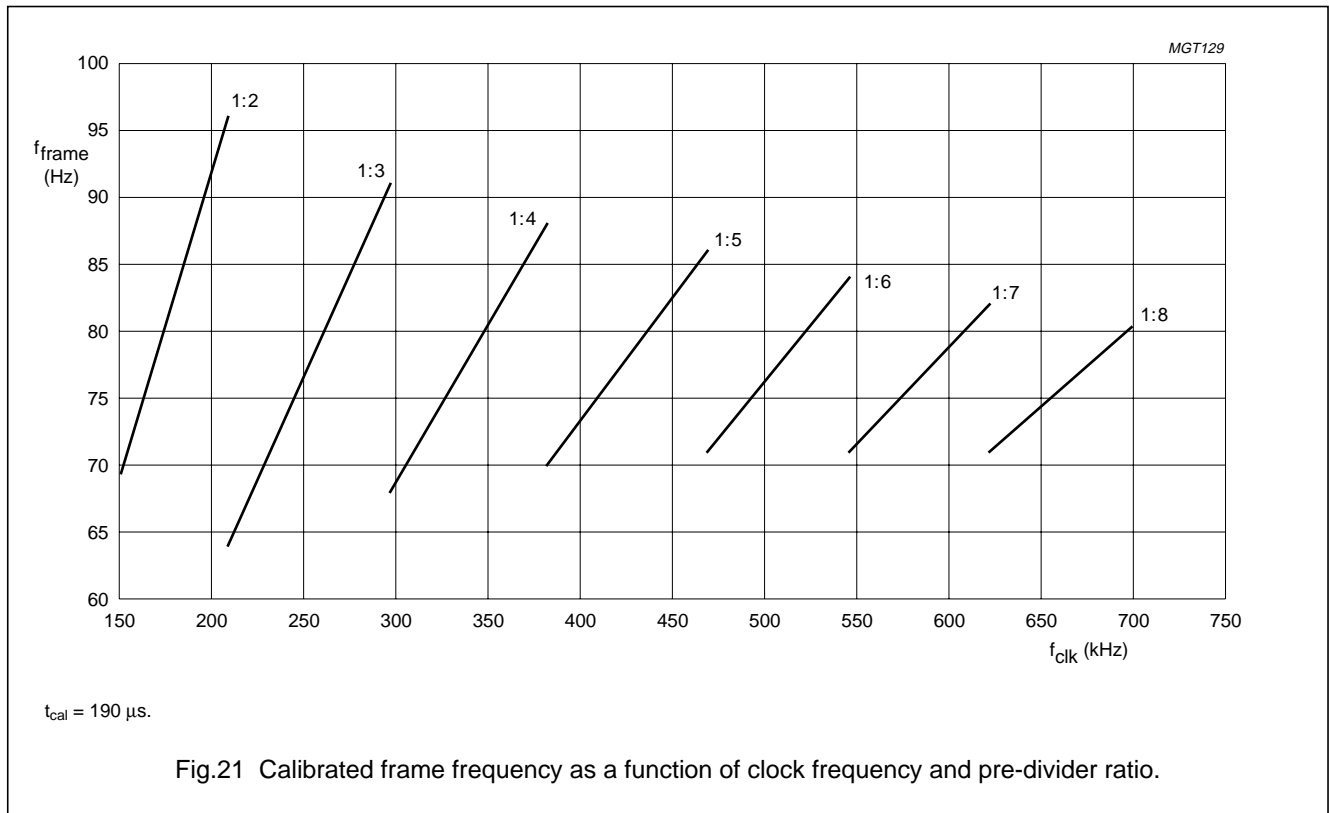
After  $V_{DD1}$  has reached its minimum value, the  $\overline{\text{RES}}$  input level must be  $\leq 0.3V_{DD1}$  after a maximum time  $t_{\text{su}}$  (see Fig.24).

After reset the state of the PCF8820 is as follows:

- Default values of bits and registers as seen in Table 3
- All row and column outputs are at  $V_{SS}$  (display off)
- $V_{LCDOUT}$  is high-impedance
- RAM data is undefined.

67 × 101 Grey-scale/ECB colour dot matrix  
LCD driver

PCF8820



## 67 × 101 Grey-scale/ECB colour dot matrix LCD driver

PCF8820

### 9 LIMITING VALUES

In accordance with the Absolute Maximum Rating System (IEC 60134); note 1.

SYMBOL	PARAMETER	MIN.	MAX.	UNIT
$V_{DD}$	supply voltage	-0.5	+6.5	V
$V_{LCDIN}$	supply voltage for the LCD	-0.5	+15	V
$V_n$	voltage on			V
	any $V_{LCD}$ related pin	-0.5	$V_{LCDIN} + 0.5$	V
	any other pin	-0.5	$V_{DD1} + 0.5$	V
$I_I$	DC input current	-10	+10	mA
$I_O$	DC output current	-10	+10	mA
$I_{SS}$	ground supply current	-50	+50	mA
$P_{tot}$	total power dissipation	-	100	mW
$P/out$	power dissipation per output	-	10	mW
$T_{amb}$	ambient temperature	-40	+85	°C
$T_{stg}$	storage temperature	-65	+150	°C
$T_j$	junction temperature	-	150	°C

#### Note

- All voltages are referred to  $V_{SS} = 0$  V. Stress above one or more of the limiting values may cause permanent damage to the device. These are stress ratings only and operation of the device at these or at any other conditions above those given in the Characteristics sections of the specification is not implied. Exposure to limiting values for extended periods may affect device reliability. Parameters are valid over operating temperature range unless otherwise specified.

### 10 HANDLING

Inputs and outputs are protected against electrostatic discharge in normal handling. However, it is good practice to take normal precautions appropriate to handling MOS devices (see "Handling MOS devices").

### 11 CHARACTERISTICS

$V_{DD1} = 2.5$  to  $5.5$  V;  $V_{DD2} = V_{DD3} = 2.7$  to  $5.5$  V;  $V_{SS1} = V_{SS2} = 0$  V;  $V_{LCDIN} = 4.5$  to  $14.5$  V;  $T_{amb} = -40$  to  $+85$  °C; unless otherwise specified.

SYMBOL	PARAMETER	CONDITIONS	MIN.	TYP.	MAX.	UNIT
<b>Supplies</b>						
$V_{DD1}$	supply voltage 1 of logic circuits		2.5	-	5.5	V
$V_{DD2}$	supply voltage 2 of voltage multiplier		2.7	-	5.5	V
$V_{DD3}$	supply voltage 3 of voltage multiplier		2.7	-	5.5	V
$V_{LCDIN}$	supply voltage of LCD	graphic mode	7.0	-	14.5	V
		partial screen mode; note 1	$V_{DD}$	-	14.5	V

**67 × 101 Grey-scale/ECB colour dot matrix  
LCD driver**

PCF8820

SYMBOL	PARAMETER	CONDITIONS	MIN.	TYP.	MAX.	UNIT
I <sub>DD(tot)</sub>	total supply current into pins V <sub>DD1</sub> , V <sub>DD2</sub> and V <sub>DD3</sub>	Power-down mode; V <sub>LCDIN</sub> = 8.6 V (external); notes 2 and 3	–	0.5	10	μA
		partial screen mode; V <sub>LCDIN</sub> = 4.5 V (external); note 3	–	15	35	μA
		partial screen mode; V <sub>LCDIN</sub> = 4.5 V (internal); LCD load is 10 μA; voltage multiplier factor 3; bias system = 1/6; notes 3 and 4	–	210	300	μA
		normal mode; V <sub>LCDIN</sub> = 8.6 V (external); note 3	–	20	35	μA
		normal mode; V <sub>LCDIN</sub> = 8.6 V (internal); LCD load is 10 μA; voltage multiplier factor 5; bias system = 1/9; notes 3 and 4	–	430	680	μA
I <sub>LCDIN</sub>	supply current of V <sub>LCDIN</sub>	Power-down mode; V <sub>LCDIN</sub> = 8.6 V (external); bias system = 1/9; V <sub>LCD</sub> control value = 28H; bit PRS = 1; notes 3 and 5	–	6	15	μA
		partial screen mode; V <sub>LCDIN</sub> = 4.5 V (external); LCD load is 10 μA; bias system = 1/6; V <sub>LCD</sub> control value = 00H; bit PRS = 0; notes 3, 4 and 5	–	45	70	μA
		normal mode; V <sub>LCDIN</sub> = 8.6 V (external); LCD load is 10 μA; bias system = 1/9; V <sub>LCD</sub> control value = 5CH; bit PRS = 0; notes 3, 4 and 5	–	60	95	μA

# 67 × 101 Grey-scale/ECB colour dot matrix LCD driver

PCF8820

SYMBOL	PARAMETER	CONDITIONS	MIN.	TYP.	MAX.	UNIT
<b>Logic inputs</b>						
PADS SA0, SA1, $\overline{\text{RES}}$ , T1, T3, T4 and T5						
$V_{IL}$	LOW-level input voltage		$V_{SS1}$	–	$0.3V_{DD1}$	V
$V_{IH}$	HIGH-level input voltage		$0.7V_{DD1}$	–	$V_{DD1}$	V
$I_L$	leakage current	$V_I = V_{DD1}$ or $V_{SS1}$	–1	–	+1	$\mu\text{A}$
PAD OSC						
$V_I$	LOW-level input voltage		$V_{SS1}$	–	$V_{SS1} + 0.1$	V
$V_I$	HIGH-level input voltage		$V_{DD1} - 0.1$	–	$V_{DD1}$	V
$I_L$	leakage current	$V_I = V_{DD1}$ or $V_{SS1}$	–1	–	+1	$\mu\text{A}$
<b>I<sup>2</sup>C-bus</b>						
PADS SDA_IN and SCL						
$V_{IL}$	LOW-level input voltage		$V_{SS1}$	–	$0.3V_{DD1}$	V
$V_{IH}$	HIGH-level input voltage		$0.7V_{DD1}$	–	5.5	V
$I_L$	leakage current	$V_I = V_{DD1}$ or $V_{SS1}$	–1	–	+1	$\mu\text{A}$
PAD SDA_OUT						
$I_{OL}$	LOW-level output current	$V_{OL} = 0.4 \text{ V}; V_{DD1} = 5 \text{ V}$	3.0	–	–	mA
$I_L$	leakage current	$V_I = V_{DD1}$ or $V_{SS1}$	–1	–	+1	$\mu\text{A}$
<b>Column and row outputs</b>						
$R_{col}$	column output resistance C0 to C100	$V_{DD1} = 5 \text{ V}; V_{LCDIN} = 12 \text{ V};$ $I_L = 100 \mu\text{A};$ outputs tested one at a time	–	–	10	$k\Omega$
$R_{row}$	row output resistance R0 to R66	$V_{DD1} = 5 \text{ V}; V_{LCDIN} = 12 \text{ V};$ $I_L = 100 \mu\text{A};$ outputs tested one at a time	–	–	3.0	$k\Omega$
$V_{bias(col)}$	bias voltage tolerance C0 to C100		–100	0	+100	mV
$V_{bias(row)}$	bias voltage tolerance R0 to R66		–100	0	+100	mV
<b>LCD supply voltage generator</b>						
STABILITY						
$\Delta V_{LCDOUT}$	tolerance of internally generated $V_{LCDOUT}$	$T_{amb} = -20 \text{ to } +85 \text{ }^\circ\text{C};$ $V_{LCDOUT} \leq 12 \text{ V}$	–	–	4.6	%
TEMPERATURE COEFFICIENT OF $V_{LCDOUT}$ ; $T_{amb} = -20 \text{ TO } +85 \text{ }^\circ\text{C}$						
$TC_0$	temperature coefficient 0		–	$-0.04 \times 10^{-3}$	–	$K^{-1}$
$TC_1$	temperature coefficient 1		–	$-1.89 \times 10^{-3}$	–	$K^{-1}$
$TC_2$	temperature coefficient 2		–	$-2.05 \times 10^{-3}$	–	$K^{-1}$
$TC_3$	temperature coefficient 3		–	$-2.22 \times 10^{-3}$	–	$K^{-1}$
$TC_4$	temperature coefficient 4		–	$-2.38 \times 10^{-3}$	–	$K^{-1}$



# 67 × 101 Grey-scale/ECB colour dot matrix LCD driver

PCF8820

SYMBOL	PARAMETER	CONDITIONS	MIN.	TYP.	MAX.	UNIT
TC <sub>5</sub>	temperature coefficient 5		–	$-2.55 \times 10^{-3}$	–	K <sup>-1</sup>
TC <sub>6</sub>	temperature coefficient 6		–	$-2.72 \times 10^{-3}$	–	K <sup>-1</sup>
TC <sub>7</sub>	temperature coefficient 7		–	$-2.98 \times 10^{-3}$	–	K <sup>-1</sup>
REFERENCE TEMPERATURE						
T <sub>cp</sub>	cut-point temperature		–	23	–	°C
<b>Temperature read-out</b>						
a	conversion constant		–	1.13	–	°C/bit
a <sub>tol</sub>	tolerance of a	same supply voltage V <sub>DD</sub>	–	–	10	%
		repeatability	–	–	1	bit
		affect of changing V <sub>DD</sub>	–	–	0.5	bit/V

## Notes

- The minimum value for V<sub>LCDIN</sub> is limited by the supply voltages V<sub>DD1</sub> and V<sub>DD2</sub>:
  - For V<sub>DD1</sub> ≤ 4.5 V and V<sub>DD2</sub> ≤ 4.5 V: V<sub>LCDIN</sub> > 4.5 V.
  - For V<sub>DD1</sub> > 4.5 V or V<sub>DD2</sub> > 4.5 V: V<sub>LCDIN</sub> > highest value of V<sub>DD1</sub> or V<sub>DD2</sub>.
- All static currents are switched off in Power-down mode; no external clock.
- V<sub>DD1</sub> = V<sub>DD2</sub> = V<sub>DD3</sub> = 2.75 V; LCD outputs are open-circuit; inputs connected to V<sub>DD1</sub> or V<sub>SS1</sub>; I<sup>2</sup>C-bus inactive; external clock with f<sub>ext</sub> = 336 kHz; T<sub>amb</sub> = 27 °C.
- The typical currents are measured on a sample base with the DDRAM and grey-scale registers loaded with data which would produce the display shown in Fig.23 if an LCD was connected. Extensive use of grey-scales will increase current consumption compared to black and white mode. If specified, the maximum current is tested with a regular pattern which is equivalent in current to the display shown in Fig.23.
- Voltage multiplier disabled; pins V<sub>LCDIN</sub>, V<sub>LCDOUT</sub> and V<sub>LCDSENSE</sub> connected together.



MGT131

Fig.23 Display used to define DDRAM and grey-scales for current measurements.

## 67 × 101 Grey-scale/ECB colour dot matrix LCD driver

PCF8820

### 12 TIMING

$V_{DD1} = 2.5$  to  $5.5$  V;  $V_{DD2} = V_{DD3} = 2.7$  to  $5.5$  V;  $V_{SS1} = V_{SS2} = 0$  V;  $V_{LCDIN} = 4.5$  to  $14.5$  V;  $T_{amb} = -40$  °C to  $+85$  °C; unless otherwise specified.

SYMBOL	PARAMETER	CONDITIONS	MIN.	TYP.	MAX.	UNIT
<b>Clock signal</b>						
$f_{frame}$	LCD frame frequency	not calibrated; note 1	44	77	158	Hz
$f_{frame(cal1)}$	LCD frame frequency	calibrated; accurate calibration timing of 190 $\mu$ s; note 2	68	77	91	Hz
$f_{frame(cal2)}$	LCD frame frequency	calibrated; accurate calibration timing of 190 $\mu$ s	63	77	96	Hz
$f_{osc}$	oscillator frequency	not calibrated; note 3	190	336	670	kHz
<b>PAD OSC</b>						
$f_{ext}$	external clock frequency	not calibrated	190	336	670	kHz
<b>Reset timing; see Fig.24</b>						
<b>PAD RES</b>						
$t_{WL}$	reset pulse width LOW		1.0	–	–	$\mu$ s
$t_{WH}$	reset pulse width HIGH		1.5	–	–	$\mu$ s
$t_{W(spikes)}$	tolerable spike width on $\overline{RES}$ input		–	–	10	ns
$t_{su}$	reset-LOW pulse set-up time after power-on	$V_{DD} = 2.75$ V; note 4	–	–	30	$\mu$ s
$t_{oper}$	end of reset to interface being operational		–	–	3	$\mu$ s
<b>LCD on and off timing; see Fig.25</b>						
<b>PAD <math>V_{LCDIN}</math></b>						
$t_{LCD(on)}$	external LCD turn-on time	after $V_{DD1}$ turns on	1	–	–	ms
$t_{LCD(off)}$	external LCD turn-off time	before $V_{DD1}$ turns off	1	–	–	ms
<b>I<sup>2</sup>C-bus timing; see Fig.26; note 5</b>						
<b>PADS SCL and SDA</b>						
$f_{SCL}$	SCL clock frequency		0	–	400	kHz
$t_{LOW}$	SCL LOW time		1.3	–	–	$\mu$ s
$t_{HIGH}$	SCL HIGH time		0.6	–	–	$\mu$ s
$t_{SU;DAT}$	data set-up time		100	–	–	ns
$t_{HD;DAT}$	data hold time		0	–	0.9	$\mu$ s
$t_r$	rise time SDA and SCL	note 6	$20 + 0.1 C_b$	–	300	ns
$t_f$	fall time SDA and SCL	note 6	$20 + 0.1 C_b$	–	300	ns
$C_b$	capacitive load represented by each bus line		–	–	400	pF
$t_{SU;STA}$	set-up time repeated START		0.6	–	–	$\mu$ s
$t_{HD;STA}$	hold time START condition		0.6	–	–	$\mu$ s

67 × 101 Grey-scale/ECB colour dot matrix  
LCD driver

PCF8820

SYMBOL	PARAMETER	CONDITIONS	MIN.	TYP.	MAX.	UNIT
t <sub>SU;STO</sub>	set-up time for STOP condition		0.6	–	–	µs
t <sub>W(spike)</sub>	tolerable spike width on bus		–	–	50	ns
t <sub>BUF</sub>	BUS free time		1.3	–	–	µs

Notes

1. Frame frequency:  $f_{\text{frame}} = \frac{f_{\text{ext}}}{4352}$  or  $f_{\text{frame}} = \frac{f_{\text{osc}}}{4352}$
2. V<sub>DD</sub> unchanged after frequency calibration.
3. Not available at any pad.
4. Decoupling capacitor between V<sub>LCDIN</sub> and V<sub>SS1</sub> is 100 nF. A higher capacitance increases t<sub>su</sub> and a higher V<sub>DD1</sub>, V<sub>DD2</sub> or V<sub>DD3</sub> reduces t<sub>su</sub>.
5. All timing values are valid within V<sub>DD1</sub>, V<sub>DD2</sub>, V<sub>DD3</sub> and T<sub>amb</sub> ranges and are referenced to V<sub>IL</sub> and V<sub>IH</sub> with an input voltage swing from V<sub>SS1</sub> to V<sub>DD1</sub>.
6. C<sub>b</sub> is the total capacitance (in pF) of one bus line.

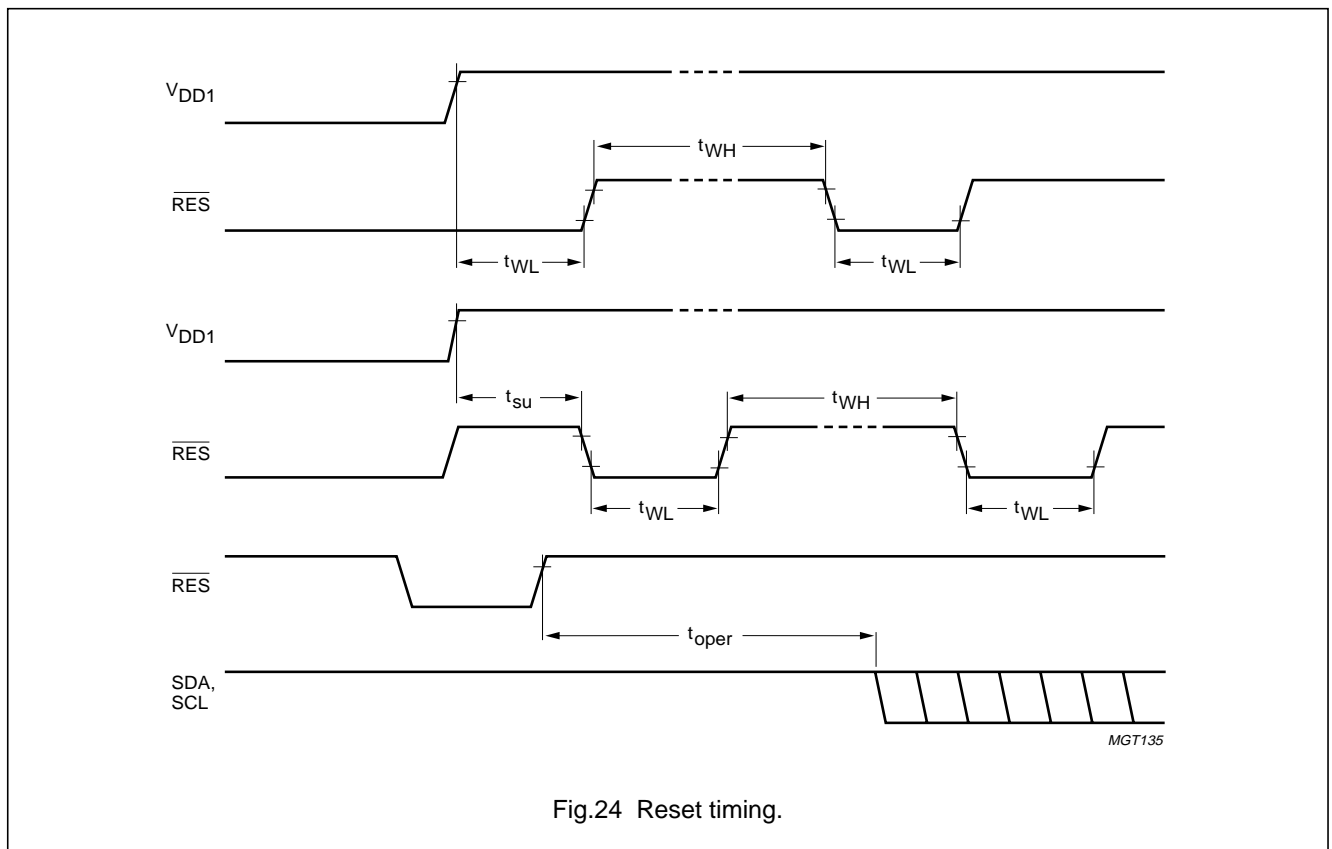


Fig.24 Reset timing.

67 × 101 Grey-scale/ECB colour dot matrix  
LCD driver

PCF8820

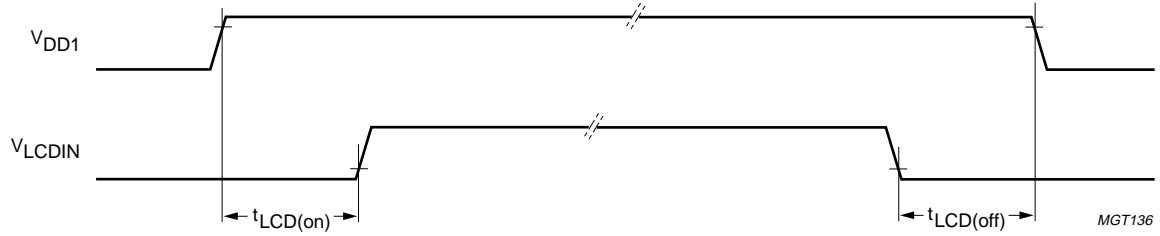


Fig.25 Timing diagram of applying and removing the external LCD supply voltage to and from pad  $V_{LCDIN}$ .

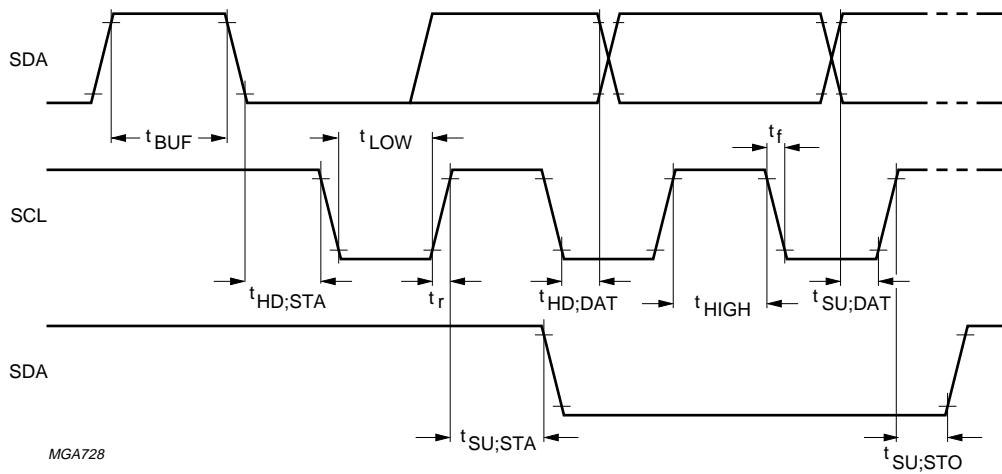


Fig.26 I<sup>2</sup>C-bus timing.

# 67 × 101 Grey-scale/ECB colour dot matrix LCD driver

PCF8820

## 13 APPLICATION INFORMATION

### 13.1 Programming example for the PCF8820

It should be noted that only a part of the LCD is shown in the LCD column of Table 9.

**Table 9** Programming example

STEP	SERIAL BUS BYTE								LCD	OPERATION
	DB7	DB6	DB5	DB4	DB3	DB2	DB1	DB0		
1	0	1	1	1	1	SA1	SA0	0		start slave address, R/W = 0
2	1	0	0	0	0	0	0	0		control byte: Co = 1, RS = 0
3	0	0	0	0	0	0	0	1		H <sub>2</sub> to H <sub>0</sub> independent command: select function and RAM command page (H <sub>2</sub> to H <sub>0</sub> = 000)
4	1	0	0	0	0	0	0	0		control byte: Co = 1, RS = 0
5	0	0	0	0	1	0	0	1		function and RAM command page: select display setting command page (H <sub>2</sub> to H <sub>0</sub> = 001)
6	1	0	0	0	0	0	0	0		control byte: Co = 1, RS = 0
7	0	0	0	0	0	1	1	0		display setting command page: set normal display mode (D = 1, E = 0)
8	1	0	0	0	0	0	0	0		control byte: Co = 1, RS = 0
9	0	0	0	1	0	0	1	0		display setting command page: set bias system = 1/9 (BS <sub>2</sub> to BS <sub>0</sub> = 010)
10	1	0	0	0	0	0	0	0		control byte: Co = 1, RS = 0
11	0	1	0	0	0	0	0	0		display setting command page: select first 8 rows for partial screen mode (DP <sub>2</sub> to DP <sub>0</sub> = 000)
12	1	0	0	0	0	0	0	0		control byte: Co = 1, RS = 0
13	0	0	0	0	0	0	0	1		H <sub>2</sub> to H <sub>0</sub> independent command: select function and RAM command page (H <sub>2</sub> to H <sub>0</sub> = 000)
14	1	0	0	0	0	0	0	0		control byte: Co = 1, RS = 0
15	0	0	0	1	0	1	1	0		function and RAM command page: select Power-down mode (PD = 1) and vertical address mode (V = 1)
16	1	0	0	0	0	0	0	0		control byte: Co = 1, RS = 0
17	0	0	0	0	1	1	0	0		function and RAM command page: select special feature command page (H <sub>2</sub> to H <sub>0</sub> = 100)
18	1	0	0	0	0	0	0	0		control byte: Co = 1, RS = 0
19	0	0	0	0	0	1	0	1		special feature command page: enable display (DOF = 0) and enable direct drive (DM = 1) to pre-charge the charge pump
20	1	0	0	0	0	0	0	0		control byte: Co = 1, RS = 0

**67 × 101 Grey-scale/ECB colour dot matrix  
LCD driver**

PCF8820

STEP	SERIAL BUS BYTE								LCD	OPERATION
	DB7	DB6	DB5	DB4	DB3	DB2	DB1	DB0		
21	0	0	0	0	0	0	0	1		H <sub>2</sub> to H <sub>0</sub> independent command: select function and RAM command page (H <sub>2</sub> to H <sub>0</sub> = 000)
22	1	0	0	0	0	0	0	0		control byte: Co = 1, RS = 0
23	0	0	0	0	1	0	1	0		function and RAM command page: select HVGen command page (H <sub>2</sub> to H <sub>0</sub> = 010)
24	1	0	0	0	0	0	0	0		control byte: Co = 1, RS = 0
25	0	0	0	0	1	0	0	0		HVGen command page: select voltage multiplier factor 2× (S <sub>2</sub> to S <sub>0</sub> = 000)
26	1	0	0	0	0	0	0	0		control byte: Co = 1, RS = 0
27	0	0	0	1	0	0	1	0		HVGen command page: select temperature coefficient 2 (TC <sub>2</sub> to TC <sub>0</sub> = 010)
28	1	0	0	0	0	0	0	0		control byte: Co = 1, RS = 0
29	0	0	0	0	0	1	0	0		HVGen command page: select LOW V <sub>LCD</sub> programming range (PRS = 0), HVGen off (HVE = 0)
30	1	0	0	0	0	0	0	0		control byte: Co = 1, RS = 0
31	1	1	0	1	1	0	1	1		HVGen command page: set V <sub>LCD</sub> to 8.595 V (V <sub>OP6</sub> to V <sub>OP0</sub> = 1011011)
32	1	0	0	0	0	0	0	0		control byte: Co = 1, RS = 0
33	0	0	0	0	0	0	0	1		H <sub>2</sub> to H <sub>0</sub> independent command: select function and RAM command page (H <sub>2</sub> to H <sub>0</sub> = 000)
34	1	0	0	0	0	0	0	0		control byte: Co = 1, RS = 0
35	0	0	0	0	1	0	1	1		function and RAM command page: select grey-scale/colour command page (H <sub>2</sub> to H <sub>0</sub> = 011)
36	1	0	0	0	0	0	0	0		control byte: Co = 1, RS = 0
37	0	1	0	0	0	0	0	0		grey-scale/colour command page: select grey-scale register 0 (GR <sub>1</sub> to GR <sub>0</sub> = 00)
38	1	0	0	0	0	0	0	0		control byte: Co = 1, RS = 0
39	1	0	0	0	0	0	0	0		grey-scale/colour command page: set grey-scale to 0 (GS <sub>5</sub> to GS <sub>0</sub> = 000000)
40	1	0	0	0	0	0	0	0		control byte: Co = 1, RS = 0
41	0	1	0	0	0	0	0	1		grey-scale/colour command page: select grey-scale register 1 (GR <sub>1</sub> to GR <sub>0</sub> = 01)
42	1	0	0	0	0	0	0	0		control byte: Co = 1, RS = 0

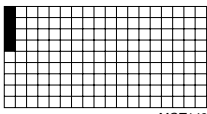
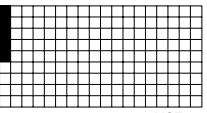
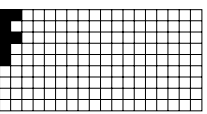
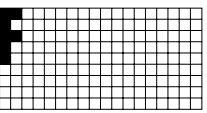
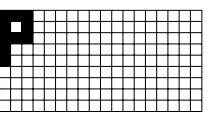
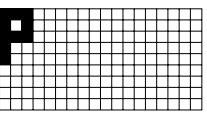
# 67 × 101 Grey-scale/ECB colour dot matrix LCD driver

PCF8820

STEP	SERIAL BUS BYTE								LCD	OPERATION
	DB7	DB6	DB5	DB4	DB3	DB2	DB1	DB0		
43	1	0	0	1	0	1	0	0		grey-scale/colour command page: set grey-scale to 20 (GS <sub>5</sub> to GS <sub>0</sub> = 010100)
44	1	0	0	0	0	0	0	0		control byte: Co = 1, RS = 0
45	0	1	0	0	0	0	1	0		grey-scale/colour command page: select grey-scale register 2 (GR <sub>1</sub> to GR <sub>0</sub> = 10)
46	1	0	0	0	0	0	0	0		control byte: Co = 1, RS = 0
47	1	0	1	0	1	0	0	0		grey-scale/colour command page: set grey-scale register 2 to 40 (GS <sub>5</sub> to GS <sub>0</sub> = 101000)
48	1	0	0	0	0	0	0	0		control byte: Co = 1, RS = 0
49	0	1	0	0	0	0	1	1		grey-scale/colour command page: select grey-scale register 3 (GR <sub>1</sub> to GR <sub>0</sub> = 11)
50	1	0	0	0	0	0	0	0		control byte: Co = 1, RS = 0
51	1	0	1	1	1	1	1	1		grey-scale/colour command page: set grey-scale register 3 to 63 (GS <sub>5</sub> to GS <sub>0</sub> = 111111)
52	1	0	0	0	0	0	0	0		control byte: Co = 1, RS = 0
53	0	0	0	0	0	0	0	1		H <sub>2</sub> to H <sub>0</sub> independent command: select function and RAM command page (H <sub>2</sub> to H <sub>0</sub> = 000)
54	1	0	0	0	0	0	0	0		control byte: Co = 1, RS = 0
55	0	0	0	0	1	0	1	0		function and RAM command page: select HVGen command page (H <sub>2</sub> to H <sub>0</sub> = 010)
56	1	0	0	0	0	0	0	0		control byte: Co = 1, RS = 0
57	0	0	0	0	0	1	0	1		HVGen command page: enable HVGen (HVE = 1) and select LOW V <sub>LCD</sub> programming range (PRS = 0)
58	1	0	0	0	0	0	0	0		control byte: Co = 1, RS = 0
59	0	0	0	0	0	0	0	1		H <sub>2</sub> to H <sub>0</sub> independent command: select function and RAM command page (H <sub>2</sub> to H <sub>0</sub> = 000)
60	1	0	0	0	0	0	0	0		control byte: Co = 1, RS = 0
61	0	0	0	1	0	0	1	0		function and RAM command page: select normal operation (PD = 0) and vertical address mode (V = 1)
62	1	0	0	0	0	0	0	0		control byte: Co = 1, RS = 0
63	0	0	0	0	1	0	1	0		function and RAM command page: select HVGen command page (H <sub>2</sub> to H <sub>0</sub> = 010)

67 × 101 Grey-scale/ECB colour dot matrix  
LCD driver

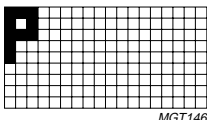
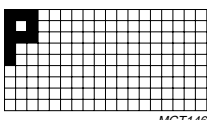
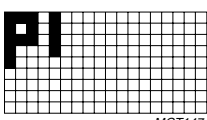
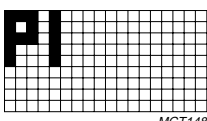
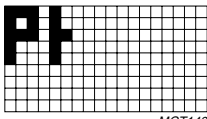
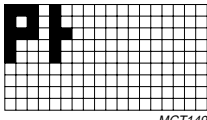
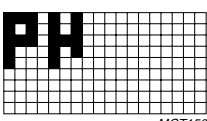
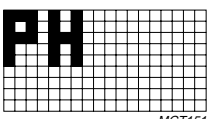
PCF8820

STEP	SERIAL BUS BYTE								LCD	OPERATION
	DB7	DB6	DB5	DB4	DB3	DB2	DB1	DB0		
64	1	0	0	0	0	0	0	0		control byte: Co = 1, RS = 0
65	0	0	0	0	1	0	0	1		HVGen command page: select voltage multiplier factor 3× (S <sub>2</sub> to S <sub>0</sub> = 001, incremented to 3x)
66	1	0	0	0	0	0	0	0		control byte: Co = 1, RS = 0
67	0	0	0	0	1	0	1	0		HVGen command page: select voltage multiplier factor 4 (S <sub>2</sub> to S <sub>0</sub> = 010)
68	1	0	0	0	0	0	0	0		control byte: Co = 1, RS = 0
69	0	0	0	0	1	0	1	1		HVGen command page: select voltage multiplier factor 5 (S <sub>2</sub> to S <sub>0</sub> = 011, incremented to 5x)
70	0	1	0	0	0	0	0	0		control byte: Co = 0, RS = 1
71	1	1	1	1	1	1	1	1	 <small>MGT143</small>	data write column 0 (vertical addressing): address X and Y are initialized to 0 by default, so they are not set here
72	0	0	0	0	0	0	1	1	 <small>MGT144</small>	data write: next write to subsequent rows filling up column 0 with '00H'
73 to 89	0	0	0	0	0	0	0	0	no display change	data writes (17 bytes)
90	0	0	1	1	0	0	1	1	 <small>MGT145</small>	data write column 1 (vertical addressing)
91	0	0	0	0	0	0	0	0	 <small>MGT145</small>	data write
92 to 108	0	0	0	0	0	0	0	0	no display change	data writes (17 bytes)
109	0	0	1	1	1	1	1	1	 <small>MGT146</small>	data write column 2 (vertical addressing)
110	0	0	0	0	0	0	0	0	 <small>MGT146</small>	data write
111 to 127	0	0	0	0	0	0	0	0	no display change	data writes (17 bytes)






# 67 × 101 Grey-scale/ECB colour dot matrix LCD driver

PCF8820

STEP	SERIAL BUS BYTE								LCD	OPERATION
	DB7	DB6	DB5	DB4	DB3	DB2	DB1	DB0		
128	0	0	0	0	0	0	0	0	 <small>MGT146</small>	data write column 3 (vertical addressing)
129	0	0	0	0	0	0	0	0	 <small>MGT146</small>	data write
130 to 146	0	0	0	0	0	0	0	0	no display change	data writes (17 bytes)
147	1	1	1	1	1	1	1	1	 <small>MGT147</small>	data write column 4 (vertical addressing)
148	0	0	0	0	0	0	1	1	 <small>MGT148</small>	data write
149 to 165	0	0	0	0	0	0	0	0	no display change	data writes (17 bytes)
166	0	0	1	1	0	0	0	0	 <small>MGT149</small>	data write column 5 (vertical addressing)
167	0	0	0	0	0	0	0	0	 <small>MGT149</small>	data write
168 to 184	0	0	0	0	0	0	0	0	no display change	data writes (17 bytes)
185	1	1	1	1	1	1	1	1	 <small>MGT150</small>	data write column 6 (vertical addressing)
186	0	0	0	0	0	0	1	1	 <small>MGT151</small>	data write: last data; stop transmission
187	0	1	1	1	1	SA1	SA0	0	no display change	restart, slave address, R/W = 0
188	1	0	0	0	0	0	0	0	no display change	control byte: Co = 1, RS = 0
189	0	0	0	0	0	0	0	1	no display change	H <sub>2</sub> to H <sub>0</sub> independent command: select function and RAM command page (H <sub>2</sub> to H <sub>0</sub> = 000)

67 × 101 Grey-scale/ECB colour dot matrix  
LCD driver

PCF8820





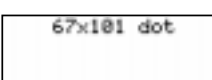
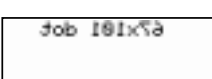

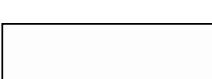

STEP	SERIAL BUS BYTE								LCD	OPERATION
	DB7	DB6	DB5	DB4	DB3	DB2	DB1	DB0		
190	1	0	0	0	0	0	0	0	no display change	control byte: Co = 1, RS = 0
191	0	0	0	0	1	0	0	1	no display change	function and RAM command page: select display setting command page (H <sub>2</sub> to H <sub>0</sub> = 001)
192	1	0	0	0	0	0	0	0	no display change	control byte: Co = 1, RS = 0
193	0	0	0	0	0	1	1	1		display mode: set inverse video mode (D = 1, E = 1)
194	1	0	0	0	0	0	0	0	no display change	control byte: Co = 1, RS = 0
195	0	0	0	0	0	0	0	1	no display change	H <sub>2</sub> to H <sub>0</sub> independent command: select function and RAM command page (H <sub>2</sub> to H <sub>0</sub> = 000)
196	1	0	0	0	0	0	0	0	no display change	control byte: Co = 1, RS = 0
197	1	0	0	0	0	0	0	0	no display change	set X address of RAM to '000000'
198	1	0	0	0	0	0	0	0	no display change	control byte: Co = 1, RS = 0
199	0	1	0	0	0	0	0	0	no display change	set Y address of RAM to '00000'
200	0	1	0	0	0	0	0	0	no display change	control byte: Co = 0, RS = 1
201	0	1	0	1	0	1	0	1		data write column 1 (vertical addressing mode)
202	0	0	0	0	0	0	0	1		data write: last data; stop transmission

67 × 101 Grey-scale/ECB colour dot matrix  
LCD driver

PCF8820


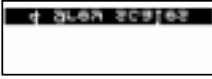
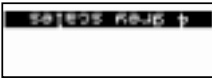
13.2 Examples of effects on the display

Table 10 Examples showing the effects on the LCD of setting bits PS, DP<sub>2</sub> to DP<sub>0</sub>, MX and MY

EXAMPLE	PS	DP <sub>2</sub>	DP <sub>1</sub>	DP <sub>0</sub>	MX	MY	DISPLAY	DESCRIPTION
1	0	X	X	X	0	0	 <small>MGT155</small>	normal display
2	0	X	X	X	1	0	 <small>MGT156</small>	X mirrored only
3	0	X	X	X	0	1	 <small>MGT157</small>	Y mirrored only
4	0	X	X	X	1	1	 <small>MGT158</small>	X and Y mirrored
5	1	0	0	0	0	0	 <small>MGT159</small>	partial screen mode only; first 8 rows selected
6	1	0	0	0	1	0	 <small>MGT160</small>	partial screen mode; X mirrored; first 8 rows selected
7	1	0	0	0	0	1	 <small>MGT161</small>	partial screen mode; Y mirrored; first 8 rows selected
8	1	0	0	0	1	1	 <small>MGT162</small>	partial screen mode; X and Y mirrored; first 8 rows selected
9	1	1	1	1	0	0	 <small>MGT163</small>	partial screen mode; last 8 rows selected

67 × 101 Grey-scale/ECB colour dot matrix  
LCD driver

PCF8820

EXAMPLE	PS	DP <sub>2</sub>	DP <sub>1</sub>	DP <sub>0</sub>	MX	MY	DISPLAY	DESCRIPTION
10	1	1	1	1	1	0	 <p style="text-align: center;"><small>MGT164</small></p>	partial screen mode; X mirrored; last 8 rows selected
11	1	1	1	1	0	1	 <p style="text-align: center;"><small>MGT165</small></p>	partial screen mode; Y mirrored; last 8 rows selected
12	1	1	1	1	1	1	 <p style="text-align: center;"><small>MGT166</small></p>	partial screen mode; X and Y mirrored; last 8 rows selected

67 × 101 Grey-scale/ECB colour dot matrix LCD driver

PCF8820

13.3 High voltage generator

The high voltage generator contains a voltage multiplier which uses a charge pump circuit supplied by  $V_{DD2}$  and  $V_{DD3}$ . The multiplier is software programmable with a factor from 2 to 8. In the direct drive mode the output voltage  $V_{LCDOUT} = V_{DD2}$ .

When the charge pump is used the total supply current of the PCF8820 at a supply voltage of 3, 4 and 5 V is shown in Figs 27, 28 and 29.

The separate graphs are shown for each voltage multiplier factor with the following conditions:

- At  $T_{amb}$
- $V_{DD1}$ ,  $V_{DD2}$  and  $V_{DD3}$  connected to the same power supply
- Supply line resistors of 50 Ω (typical value)
- Internal clock not calibrated
- No LCD connected to the PCF8820
- All pixels defined at grey-scale level 32; this is the worst case
- Bias system  $\frac{1}{9}$
- Full screen mode (bit PS = 0) at a multiplex rate of 1 : 67
- Normal display mode.

The characteristics shown for each voltage multiplier factor are terminated before  $V_{LCDOUT}$  has been reached the maximum value to indicate that the voltage cannot be increased any further. If a higher voltage is required, a higher voltage multiplier factor must be selected.

Connecting a LCD may increase the current into pad  $V_{LCDIN}$  which may affect the current taken by the charge pump and also its efficiency. The amount of current load may depend on the type of LCD used.

It is advisable to evaluate the PCF8820 connected to the desired LCD and set to the required mode(s) to produce characteristics similar to Figs 27, 28 and 29. The customer can then use these graphs to select the most efficient and safe voltage multiplier factor for each mode required.

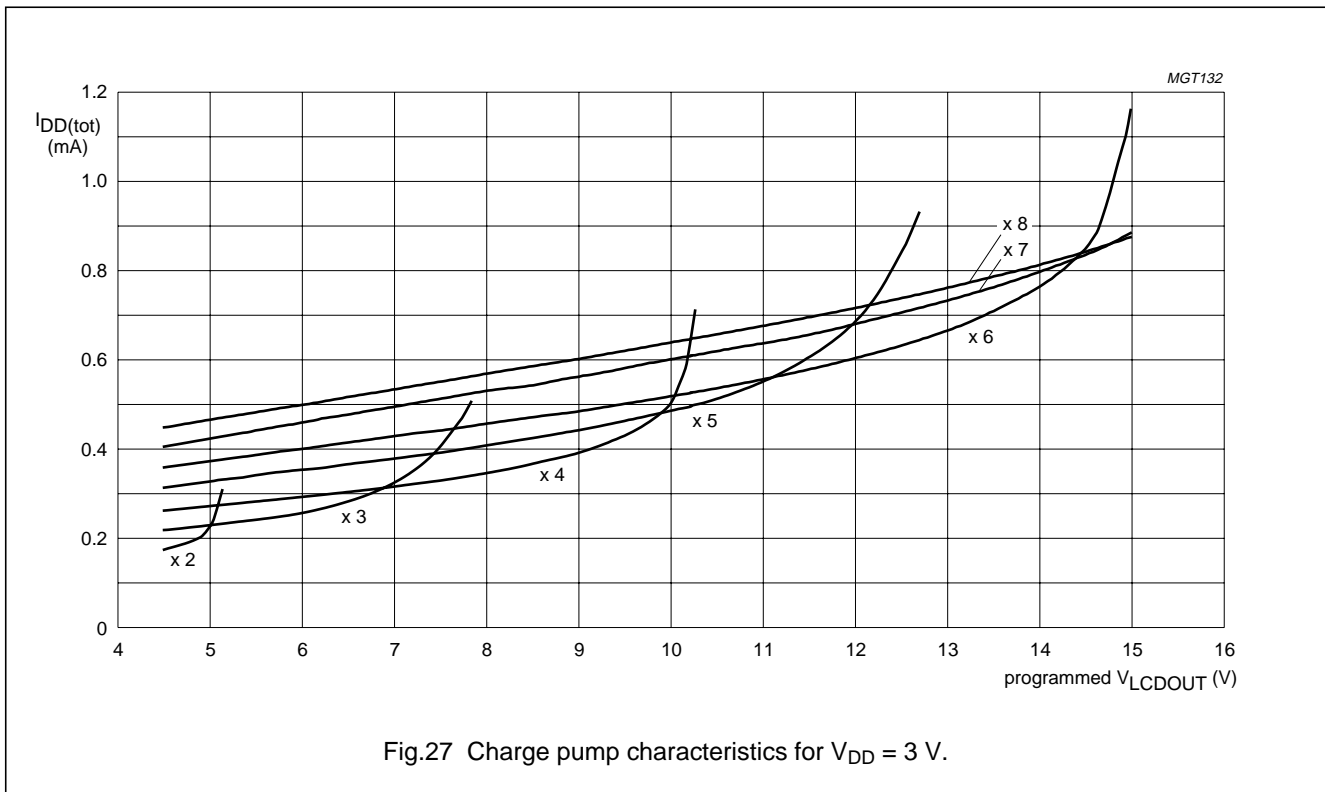
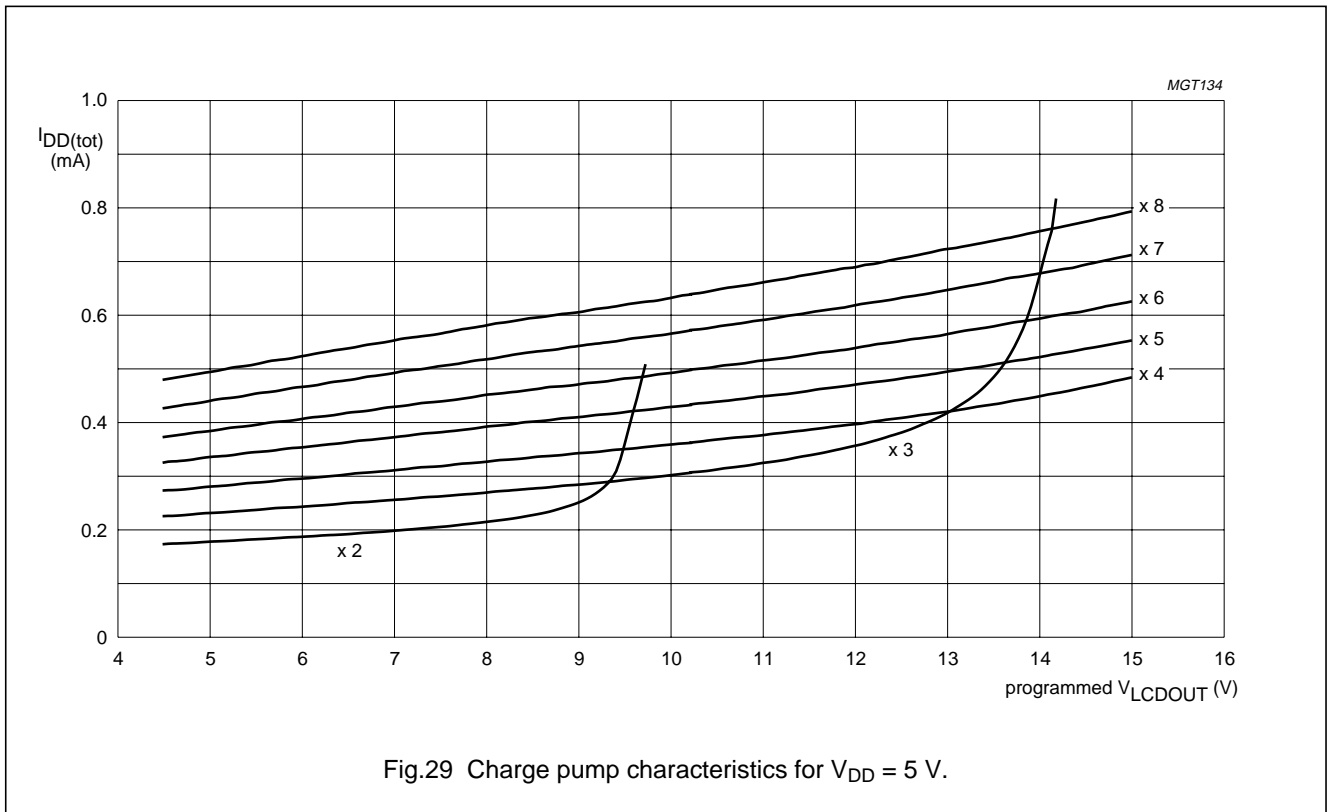
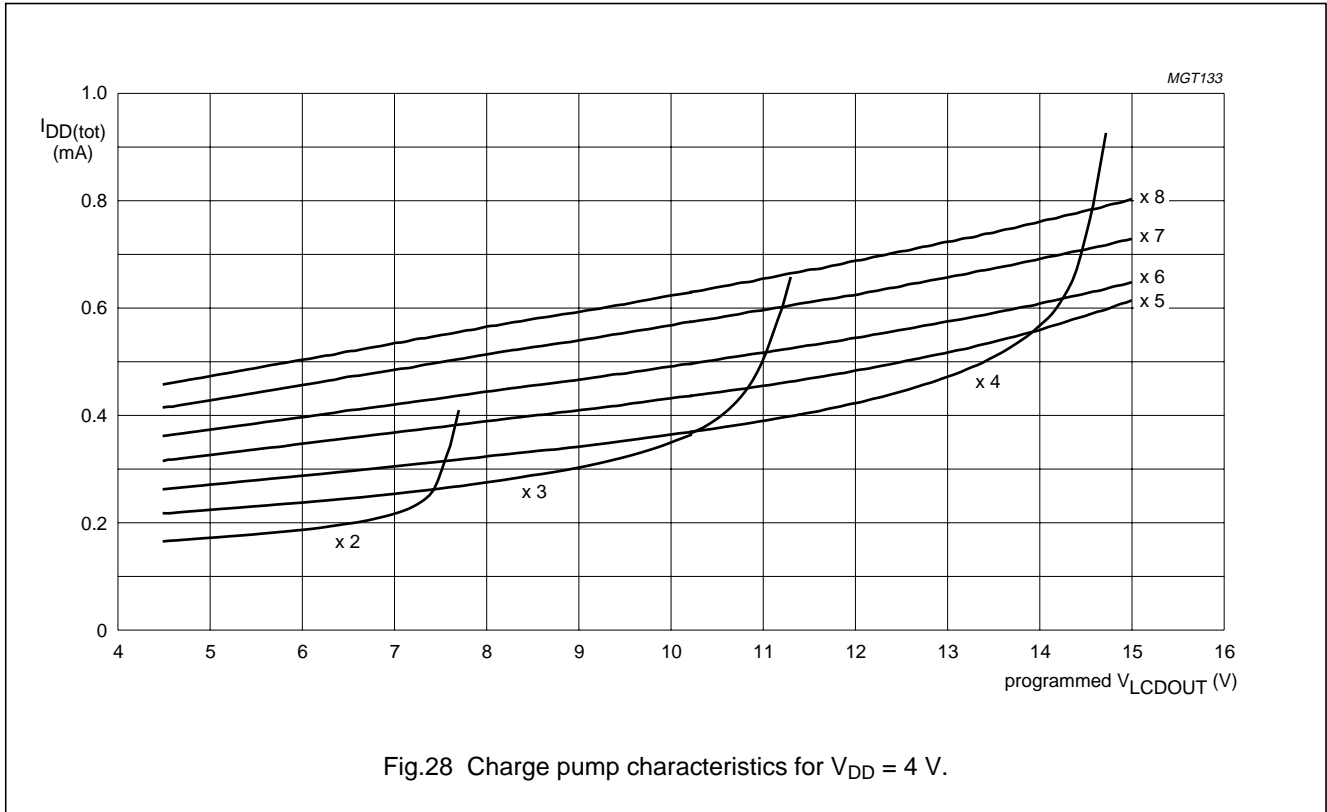


Fig.27 Charge pump characteristics for  $V_{DD} = 3 V$ .

67 × 101 Grey-scale/ECB colour dot matrix  
LCD driver

PCF8820



# 67 × 101 Grey-scale/ECB colour dot matrix LCD driver

PCF8820

### 13.4 Application for COG

The PCF8820 physical pad positions are optimized for single plane wiring e.g. for Chip-On-Glass (COG) display modules (see Fig.30). The pad lines are as follows:

- 3 input/output lines: SDA, SCL and  $\overline{\text{RES}}$
- 101 column driver lines
- 33 and 34 row driver lines
- pads SA0, SA1 and OSC can be tied in the application to appropriate levels.

For COG applications, it is recommended that the Indium Tin Oxide (ITO) track resistance is minimized for the I/O and power supply connections. These connections should have an optimum track resistance of  $<50 \Omega$  for the power supply connections and  $<100 \Omega$  for the I/O connections. Increasing the track resistance reduces the performance and increases the current consumption.

The common supply resistor values especially, have to be minimized ( $<5 \Omega$  for high supply voltage  $V_{P1}$ ,  $V_{LCD}$  and GND).

The minimum value required for the external capacitors is:

- $C_{ext1} > 470 \text{ nF}$  ( $C_{ext1} > C_{ext2}$  recommended)
- $C_{ext2} > 100 \text{ nF}$  (470 nF to 1  $\mu\text{F}$  recommended).

A higher value of the capacitors is recommended to reduce the ripple voltage.

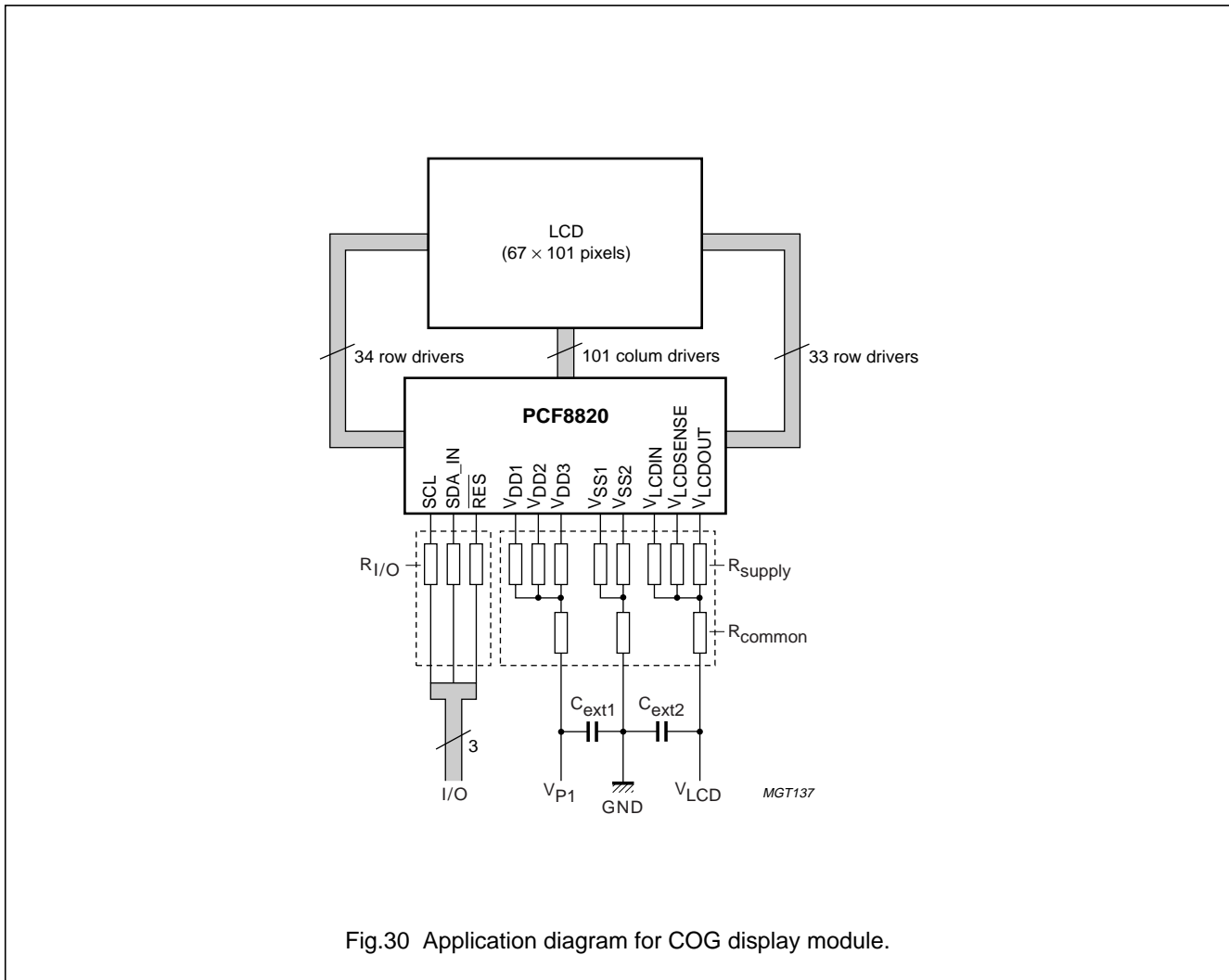


Fig.30 Application diagram for COG display module.

67 × 101 Grey-scale/ECB colour dot matrix LCD driver

PCF8820

13.5 Typical system configuration

The PCF8820 is a low power LCD driver designed to interface with microcontrollers and a wide variety of LCDs.

The host microcontroller and the PCF8820 are both connected to the I<sup>2</sup>C-bus. The SDA and SCL lines must be connected to the positive power supply via pull-up resistors.

The internal oscillator requires no external components.

The appropriate intermediate biasing voltage for the multiplexed LCD waveforms are generated on-chip.

The only other connections required to complete the system are the power supplies (V<sub>DD1</sub>, V<sub>DD2</sub> and V<sub>DD3</sub>) and ground supplies (V<sub>SS1</sub> and V<sub>SS2</sub>), LCD supply (V<sub>LCDIN</sub>) and system reset (RES), including suitable capacitors for decoupling.

13.6 External supply of V<sub>LCDIN</sub>

If an external LCD supply voltage is used, it must be connected to pad V<sub>LCDIN</sub>. If pads V<sub>LCDOUT</sub>, V<sub>LCDSENSE</sub> and V<sub>LCDIN</sub> are connected together, the impedance of pad V<sub>LCDOUT</sub> should be set high-impedance by setting the status of bits shown in Table 8. To obtain the highest resistance and the lowest current into pad V<sub>LCDSENSE</sub>, it is recommended to set the V<sub>LCD</sub> programming range to HIGH (bit PRS = 1) and the V<sub>LCD</sub> control register value to 127 (maximum value) with bits V<sub>OP6</sub> to V<sub>OP0</sub>.

It should be noted that V<sub>LCDIN</sub> is not allowed to be lower than V<sub>DD1</sub>.

An external V<sub>LCD</sub> must be applied after applying V<sub>DD1</sub>, and it must be turned off before (or when) V<sub>DD1</sub> is turned off (see Fig.25). It is recommended that the external V<sub>LCD</sub> is applied after leaving the reset state. The external V<sub>LCD</sub> can stay turned on in Power-down mode.

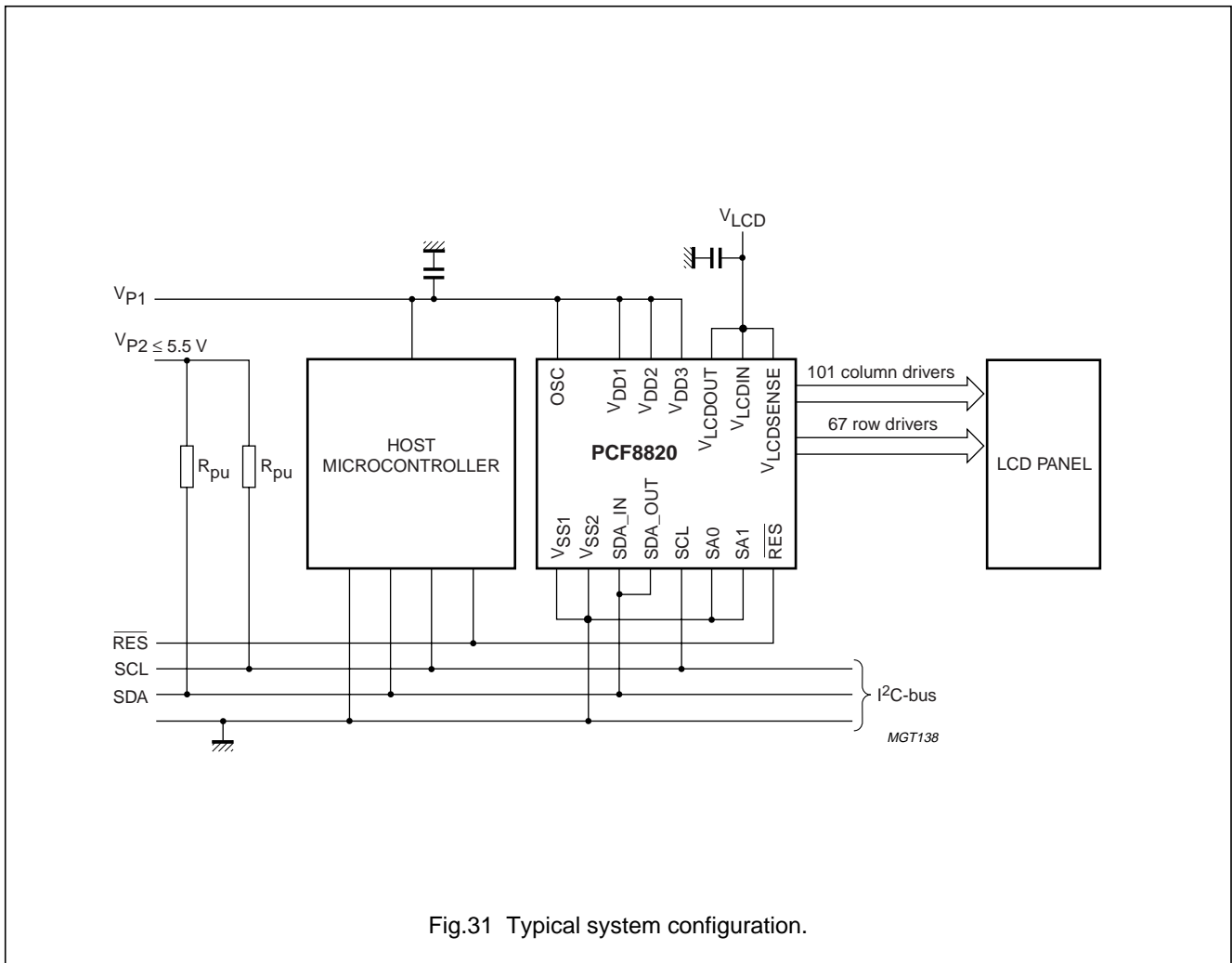


Fig.31 Typical system configuration.



# 67 × 101 Grey-scale/ECB colour dot matrix LCD driver

PCF8820

## 14 BONDING PAD INFORMATION

SYMBOL	PAD	COORDINATES <sup>(1)</sup>	
		x	y
dummy	1	-5443.7	-1162.5
dummy	2	-5373.7	-1162.5
row 0	3	-5233.7	-1162.5
row 1	4	-5163.7	-1162.5
row 2	5	-5093.7	-1162.5
row 3	6	-5023.7	-1162.5
row 4	7	-4953.7	-1162.5
row 5	8	-4883.7	-1162.5
row 6	9	-4813.7	-1162.5
row 7	10	-4743.7	-1162.5
row 8	11	-4673.7	-1162.5
row 9	12	-4603.7	-1162.5
row 10	13	-4533.7	-1162.5
row 11	14	-4463.7	-1162.5
row 12	15	-4393.7	-1162.5
row 13	16	-4323.7	-1162.5
row 14	17	-4253.7	-1162.5
row 15	18	-4183.7	-1162.5
row 16	19	-4113.7	-1162.5
row 17	20	-4043.7	-1162.5
row 18	21	-3973.7	-1162.5
row 19	22	-3903.7	-1162.5
row 20	23	-3833.7	-1162.5
row 21	24	-3763.7	-1162.5
row 22	25	-3693.7	-1162.5
col 0	26	-3483.7	-1162.5
col 1	27	-3413.7	-1162.5
col 2	28	-3343.7	-1162.5
col 3	29	-3273.7	-1162.5
col 4	30	-3203.7	-1162.5
col 5	31	-3133.7	-1162.5
col 6	32	-3063.7	-1162.5
col 7	33	-2993.7	-1162.5
col 8	34	-2923.7	-1162.5
col 9	35	-2853.7	-1162.5
col 10	36	-2783.7	-1162.5
col 11	37	-2713.7	-1162.5
col 12	38	-2643.7	-1162.5

SYMBOL	PAD	COORDINATES <sup>(1)</sup>	
		x	y
col 13	39	-2573.7	-1162.5
col 14	40	-2503.7	-1162.5
col 15	41	-2433.7	-1162.5
col 16	42	-2363.7	-1162.5
col 17	43	-2293.7	-1162.5
col 18	44	-2223.7	-1162.5
col 19	45	-2153.7	-1162.5
col 20	46	-2083.7	-1162.5
col 21	47	-2013.7	-1162.5
col 22	48	-1943.7	-1162.5
col 23	49	-1873.7	-1162.5
col 24	50	-1803.7	-1162.5
col 25	51	-1663.7	-1162.5
col 26	52	-1593.7	-1162.5
col 27	53	-1523.7	-1162.5
col 28	54	-1453.7	-1162.5
col 29	55	-1383.7	-1162.5
col 30	56	-1313.7	-1162.5
col 31	57	-1243.7	-1162.5
col 32	58	-1173.7	-1162.5
col 33	59	-1103.7	-1162.5
col 34	60	-1033.7	-1162.5
col 35	61	-963.7	-1162.5
col 36	62	-893.7	-1162.5
col 37	63	-823.7	-1162.5
col 38	64	-753.7	-1162.5
col 39	65	-683.7	-1162.5
col 40	66	-613.7	-1162.5
col 41	67	-543.7	-1162.5
col 42	68	-473.7	-1162.5
col 43	69	-403.7	-1162.5
col 44	70	-333.7	-1162.5
col 45	71	-263.7	-1162.5
col 46	72	-193.7	-1162.5
col 47	73	-123.7	-1162.5
col 48	74	-53.7	-1162.5
col 49	75	+16.3	-1162.5
col 50	76	+156.3	-1162.5
col 51	77	+226.3	-1162.5

67 × 101 Grey-scale/ECB colour dot matrix  
LCD driver

PCF8820

SYMBOL	PAD	COORDINATES <sup>(1)</sup>	
		x	y
col 52	78	+296.3	-1162.5
col 53	79	+366.3	-1162.5
col 54	80	+436.3	-1162.5
col 55	81	+506.3	-1162.5
col 56	82	+576.3	-1162.5
col 57	83	+646.3	-1162.5
col 58	84	+716.3	-1162.5
col 59	85	+786.3	-1162.5
col 60	86	+856.3	-1162.5
col 61	87	+926.3	-1162.5
col 62	88	+996.3	-1162.5
col 63	89	+1066.3	-1162.5
col 64	90	+1136.3	-1162.5
col 65	91	+1206.3	-1162.5
col 66	92	+1276.3	-1162.5
col 67	93	+1346.3	-1162.5
col 68	94	+1416.3	-1162.5
col 69	95	+1486.3	-1162.5
col 70	96	+1556.3	-1162.5
col 71	97	+1626.3	-1162.5
col 72	98	+1696.3	-1162.5
col 73	99	+1766.3	-1162.5
col 74	100	+1836.3	-1162.5
col 75	101	+1976.3	-1162.5
col 76	102	+2046.3	-1162.5
col 77	103	+2116.3	-1162.5
col 78	104	+2186.3	-1162.5
col 79	105	+2256.3	-1162.5
col 80	106	+2326.3	-1162.5
col 81	107	+2396.3	-1162.5
col 82	108	+2466.3	-1162.5
col 83	109	+2536.3	-1162.5
col 84	110	+2606.3	-1162.5
col 85	111	+2676.3	-1162.5
col 86	112	+2746.3	-1162.5
col 87	113	+2816.3	-1162.5
col 88	114	+2886.3	-1162.5
col 89	115	+2956.3	-1162.5
col 90	116	+3026.3	-1162.5

SYMBOL	PAD	COORDINATES <sup>(1)</sup>	
		x	y
col 91	117	+3096.3	-1162.5
col 92	118	+3166.3	-1162.5
col 93	119	+3236.3	-1162.5
col 94	120	+3306.3	-1162.5
col 95	121	+3376.3	-1162.5
col 96	122	+3446.3	-1162.5
col 97	123	+3516.3	-1162.5
col 98	124	+3586.3	-1162.5
col 99	125	+3656.3	-1162.5
col 100	126	+3726.3	-1162.5
row 55	127	+3866.3	-1162.5
row 54	128	+3936.3	-1162.5
row 53	129	+4006.3	-1162.5
row 52	130	+4076.3	-1162.5
row 51	131	+4146.3	-1162.5
row 50	132	+4216.3	-1162.5
row 49	133	+4286.3	-1162.5
row 48	134	+4356.3	-1162.5
row 47	135	+4426.3	-1162.5
row 46	136	+4496.3	-1162.5
row 45	137	+4566.3	-1162.5
row 44	138	+4636.3	-1162.5
row 43	139	+4706.3	-1162.5
row 42	140	+4776.3	-1162.5
row 41	141	+4846.3	-1162.5
row 40	142	+4916.3	-1162.5
row 39	143	+4986.3	-1162.5
row 38	144	+5056.3	-1162.5
row 37	145	+5126.3	-1162.5
row 36	146	+5196.3	-1162.5
row 35	147	+5266.3	-1162.5
row 34	148	+5336.3	-1162.5
dummy	149	+5476.3	-1162.5
dummy	150	+5581.3	+1162.5
row 56	151	+5301.3	+1162.5
row 57	152	+5231.3	+1162.5
row 58	153	+5161.3	+1162.5
row 59	154	+5091.3	+1162.5
row 60	155	+5021.3	+1162.5

# 67 × 101 Grey-scale/ECB colour dot matrix LCD driver

PCF8820

SYMBOL	PAD	COORDINATES <sup>(1)</sup>	
		x	y
row 61	156	+4951.3	+1162.5
row 62	157	+4881.3	+1162.5
row 63	158	+4811.3	+1162.5
row 64	159	+4741.3	+1162.5
row 65	160	+4671.3	+1162.5
row 66	161	+4601.3	+1162.5
V <sub>5</sub>	162	+4421	+1162.5
V <sub>4</sub>	163	+4261	+1162.5
V <sub>3</sub>	164	+4101	+1162.5
V <sub>2</sub>	165	+3941	+1162.5
V <sub>LCDIN</sub>	166	+3806.3	+1162.5
V <sub>LCDIN</sub>	167	+3726.3	+1162.5
V <sub>LCDIN</sub>	168	+3646.3	+1162.5
V <sub>LCDIN</sub>	169	+3566.3	+1162.5
V <sub>LCDIN</sub>	170	+3486.3	+1162.5
V <sub>LCDIN</sub>	171	+3406.3	+1162.5
V <sub>LCDSENSE</sub>	172	+3326.3	+1162.5
V <sub>LCDOUT</sub>	173	+3246.3	+1162.5
V <sub>LCDOUT</sub>	174	+3166.3	+1162.5
V <sub>LCDOUT</sub>	175	+3086.3	+1162.5
V <sub>LCDOUT</sub>	176	+3006.3	+1162.5
V <sub>LCDOUT</sub>	177	+2926.3	+1162.5
V <sub>LCDOUT</sub>	178	+2846.3	+1162.5
V <sub>DD1</sub>	179	+2451.3	+1162.5
V <sub>DD1</sub>	180	+2371.3	+1162.5
V <sub>DD1</sub>	181	+2291.3	+1162.5
V <sub>DD1</sub>	182	+2211.3	+1162.5
V <sub>DD1</sub>	183	+2131.3	+1162.5
V <sub>DD1</sub>	184	+2051.3	+1162.5
V <sub>DD3</sub>	185	+1921.3	+1162.5
V <sub>DD3</sub>	186	+1841.3	+1162.5
V <sub>DD3</sub>	187	+1761.3	+1162.5
V <sub>DD2</sub>	188	+1681.3	+1162.5
V <sub>DD2</sub>	189	+1601.3	+1162.5
V <sub>DD2</sub>	190	+1521.3	+1162.5
V <sub>DD2</sub>	191	+1441.3	+1162.5
V <sub>DD2</sub>	192	+1361.3	+1162.5
V <sub>DD2</sub>	193	+1281.3	+1162.5
V <sub>DD2</sub>	194	+1201.3	+1162.5

SYMBOL	PAD	COORDINATES <sup>(1)</sup>	
		x	y
SDA_IN	195	+573.3	+1162.5
SDA_IN	196	+493.3	+1162.5
SDA_OUT	197	+65.9	+1162.5
V <sub>SS2</sub>	198	-233.7	+1162.5
V <sub>SS2</sub>	199	-313.7	+1162.5
V <sub>SS2</sub>	200	-393.7	+1162.5
V <sub>SS2</sub>	201	-473.7	+1162.5
V <sub>SS2</sub>	202	-553.7	+1162.5
V <sub>SS2</sub>	203	-633.7	+1162.5
SA0	204	-833.7	+1162.5
T1	205	-1033.7	+1162.5
V <sub>SS1</sub>	206	-1113.7	+1162.5
V <sub>SS1</sub>	207	-1193.7	+1162.5
V <sub>SS1</sub>	208	-1273.7	+1162.5
V <sub>SS1</sub>	209	-1353.7	+1162.5
V <sub>SS1</sub>	210	-1433.7	+1162.5
V <sub>SS1</sub>	211	-1513.7	+1162.5
T3	212	-1713.7	+1162.5
T4	213	-1913.7	+1162.5
SA1	214	-2113.7	+1162.5
SCL	215	-2355	+1162.5
SCL	216	-2435	+1162.5
T5	217	-2958	+1162.5
T6	218	-3158.7	+1162.5
RES	219	-3454.7	+1162.5
OSC	220	-4158.7	+1162.5
T2	221	-4282.7	+1162.5
row 33	222	-4498.7	+1162.5
row 32	223	-4568.7	+1162.5
row 31	224	-4638.7	+1162.5
row 30	225	-4708.7	+1162.5
row 29	226	-4778.7	+1162.5
row 28	227	-4848.7	+1162.5
row 27	228	-4918.7	+1162.5
row 26	229	-4988.7	+1162.5
row 25	230	-5058.7	+1162.5
row 24	231	-5128.7	+1162.5
row 23	232	-5198.7	+1162.5
dummy	233	-5478.7	+1162.5

# 67 × 101 Grey-scale/ECB colour dot matrix LCD driver

PCF8820

SYMBOL	PAD	COORDINATES <sup>(1)</sup>	
		x	y
dummy	234	-5548.7	+1162.5
dummy	235	-5618.7	+1162.5
<b>Alignment marks</b>			
Circle 1		-5594.0	-1162.5
Circle 2		+5594.0	-1162.5
Circle 3		+5469.0	+1162.5
Circle 4		-5369.0	+1162.5

**Note**

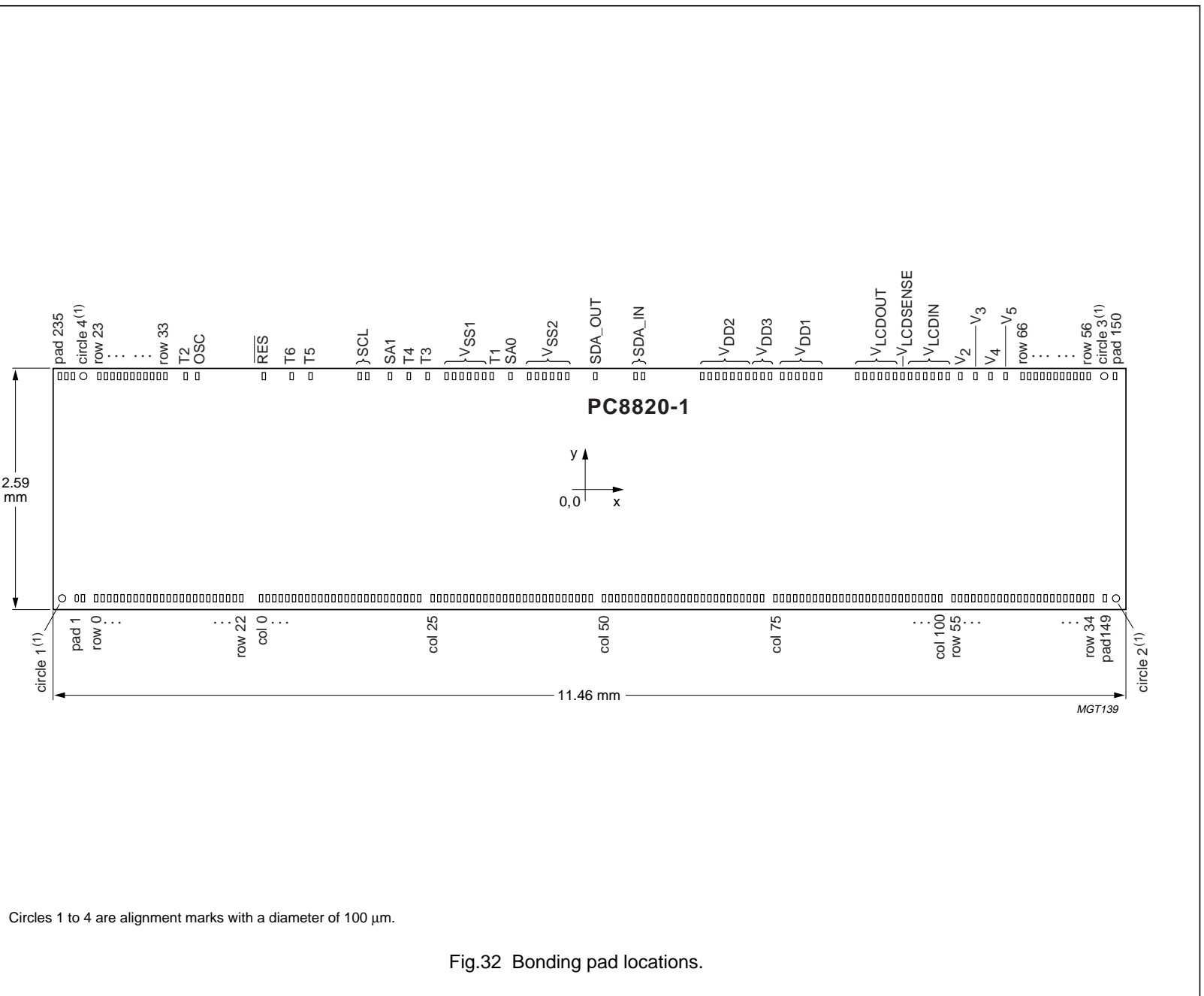
1. All x/y coordinates represent the position of the centre of each pad (in  $\mu\text{m}$ ) with respect to the centre (x/y = 0) of the chip (see Fig.32).

**Table 11** Bonding pad dimensions

NAME	DIMENSION
Pad pitch	70 $\mu\text{m}$ (minimum value)
Pad size, aluminium	62 × 100 $\mu\text{m}$
Passivation opening at pad	36 × 76 $\mu\text{m}$
Bump dimensions	52 × 90 × 17.5 $\mu\text{m}$
Wafer thickness (excluding bumps)	381 $\mu\text{m}$

**67 × 101 Grey-scale/ECB colour dot matrix LCD driver**

**PCF8820**



(1) Circles 1 to 4 are alignment marks with a diameter of 100 µm.

Fig.32 Bonding pad locations.

67 × 101 Grey-scale/ECB colour dot matrix  
LCD driver

PCF8820

15 DEVICE PROTECTION CIRCUITS

SYMBOL	PAD	REMARK	INTERNAL CIRCUIT
V <sub>DD1</sub>	179 to 184	note 1	<p>MGU179</p>
V <sub>DD2</sub>	188 to 194	note 1	<p>MGU180</p>
V <sub>DD3</sub>	185 to 187	note 1	<p>MGU179</p>
V <sub>SS1</sub>	206 to 211	note 1	<p>MGU181</p>
V <sub>SS2</sub>	198 to 203	note 1	
V <sub>LCDIN</sub>	166 to 171	note 1	<p>MGU179</p>
V <sub>LCDSENSE</sub>	172		
V <sub>LCDOUT</sub>	173 to 178	note 1	
V <sub>2</sub>	162		<p>MGU182</p>
V <sub>3</sub>	163		
V <sub>4</sub>	164		
V <sub>5</sub>	165		

67 × 101 Grey-scale/ECB colour dot matrix  
LCD driver

PCF8820

SYMBOL	PAD	REMARK	INTERNAL CIRCUIT
SA0	204		<p style="text-align: right;"><i>MGU183</i></p>
SA1	214		
T1	205		
T2	221		
T3	212		
T4	213		
T5	217		
T6	218		
OSC	220		
RES	219		
SCL	215 and 216	note 1	<p style="text-align: right;"><i>MGU179</i></p>
SDA_IN	195 and 196	note 1	
SDA_OUT	197		
R0 to R22 (block 1)	3 to 25		<p style="text-align: right;"><i>MGU184</i></p>
R23 to R33 (block 2)	232 to 222		
R34 to R55 (block 3)	148 to 127		
R56 to R66 (block 4)	151 to 161		
C0 to C24 (block 5)	26 to 50		
C25 to C49 (block 6)	51 to 75		
C50 to C74 (block 7)	76 to 100		
C75 to C100 (block 8)	101 to 126		

**Note**

1. Internally shorted via metal.

67 × 101 Grey-scale/ECB colour dot matrix  
LCD driver

PCF8820

16 TRAY INFORMATION

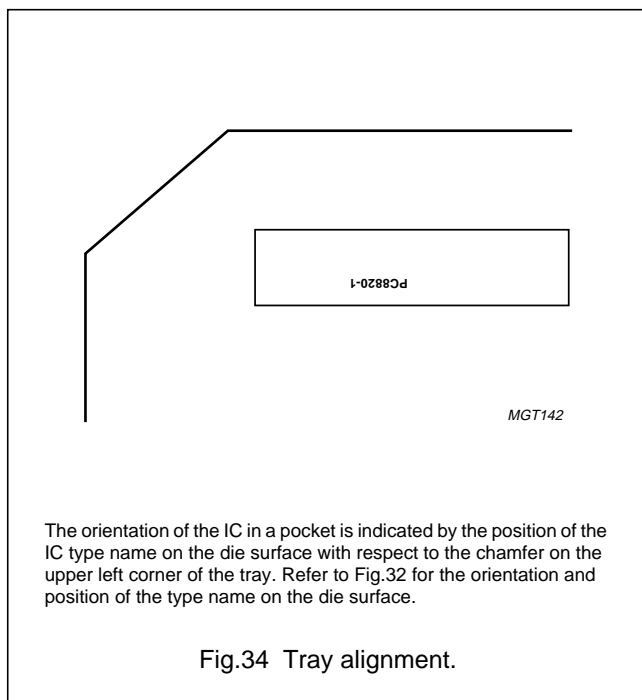
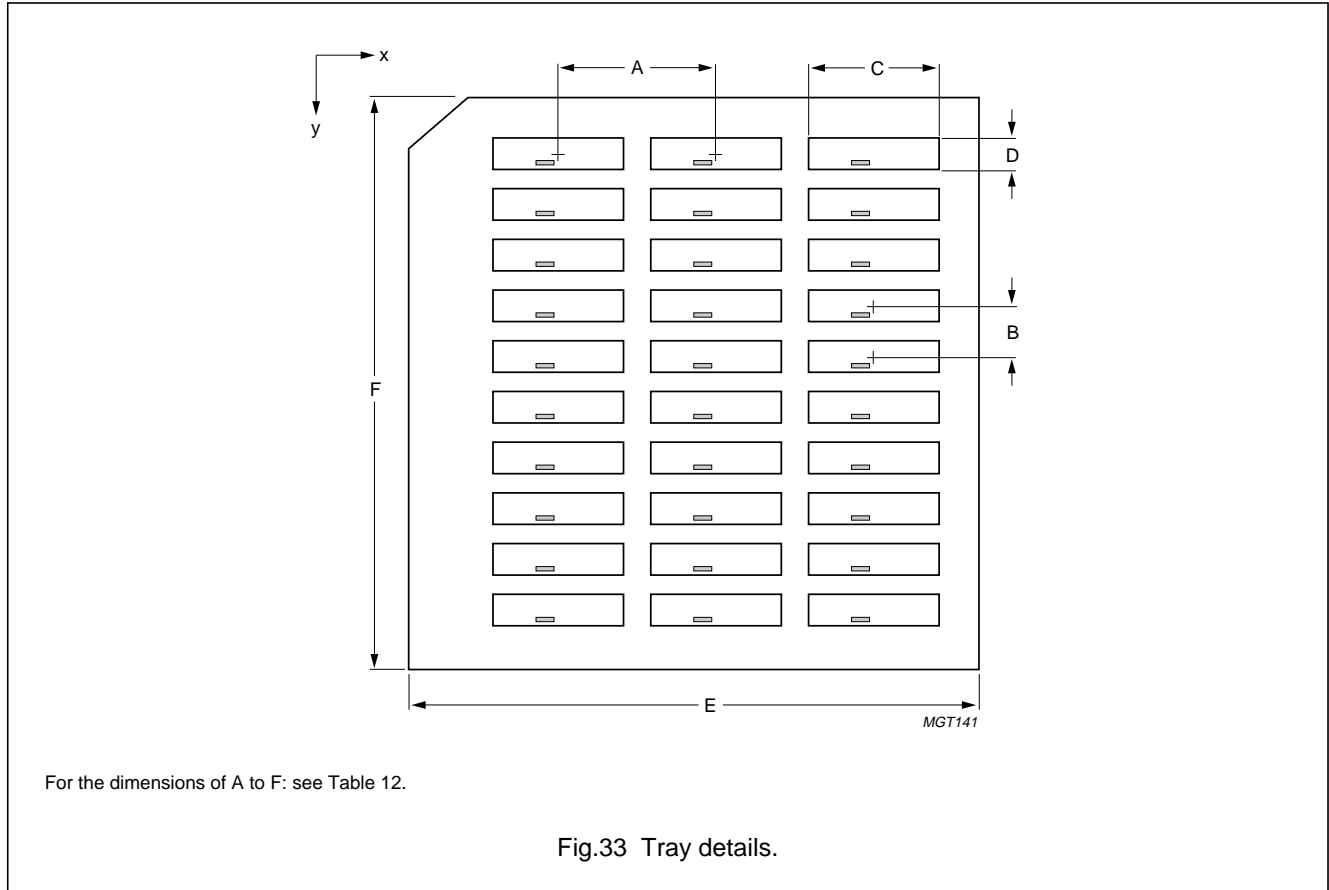


Table 12 Tray dimensions

DIMENSION	DESCRIPTION	VALUE
A	pocket pitch in x direction	13.77 mm
B	pocket pitch in y direction	4.45 mm
C	pocket width in x direction	11.61 mm
D	pocket width in y direction	2.75 mm
E	tray width in x direction	50.8 mm
F	tray width in y direction	50.8 mm
–	no. pockets in x direction	3
–	no. pockets in y direction	10



# 67 × 101 Grey-scale/ECB colour dot matrix LCD driver

PCF8820

## 17 DATA SHEET STATUS

DATA SHEET STATUS	PRODUCT STATUS	DEFINITIONS <sup>(1)</sup>
Objective specification	Development	This data sheet contains the design target or goal specifications for product development. Specification may change in any manner without notice.
Preliminary specification	Qualification	This data sheet contains preliminary data, and supplementary data will be published at a later date. Philips Semiconductors reserves the right to make changes at any time without notice in order to improve design and supply the best possible product.
Product specification	Production	This data sheet contains final specifications. Philips Semiconductors reserves the right to make changes at any time without notice in order to improve design and supply the best possible product.

### Note

1. Please consult the most recently issued data sheet before initiating or completing a design.

## 18 DEFINITIONS

**Short-form specification** — The data in a short-form specification is extracted from a full data sheet with the same type number and title. For detailed information see the relevant data sheet or data handbook.

**Limiting values definition** — Limiting values given are in accordance with the Absolute Maximum Rating System (IEC 60134). Stress above one or more of the limiting values may cause permanent damage to the device. These are stress ratings only and operation of the device at these or at any other conditions above those given in the Characteristics sections of the specification is not implied. Exposure to limiting values for extended periods may affect device reliability.

**Application information** — Applications that are described herein for any of these products are for illustrative purposes only. Philips Semiconductors make no representation or warranty that such applications will be suitable for the specified use without further testing or modification.

## 19 DISCLAIMERS

**Life support applications** — These products are not designed for use in life support appliances, devices, or systems where malfunction of these products can reasonably be expected to result in personal injury. Philips Semiconductors customers using or selling these products for use in such applications do so at their own risk and agree to fully indemnify Philips Semiconductors for any damages resulting from such application.

**Right to make changes** — Philips Semiconductors reserves the right to make changes, without notice, in the products, including circuits, standard cells, and/or software, described or contained herein in order to improve design and/or performance. Philips Semiconductors assumes no responsibility or liability for the use of any of these products, conveys no licence or title under any patent, copyright, or mask work right to these products, and makes no representations or warranties that these products are free from patent, copyright, or mask work right infringement, unless otherwise specified.

## 20 BARE DIE DISCLAIMER

All die are tested and are guaranteed to comply with all data sheet limits up to the point of wafer sawing for a period of ninety (90) days from the date of Philips' delivery. If there are data sheet limits not guaranteed, these will be separately indicated in the data sheet. There are no post packing tests performed on individual die or wafer. Philips Semiconductors has no control of third party procedures in the sawing, handling, packing or assembly of the die. Accordingly, Philips Semiconductors assumes no liability for device functionality or performance of the die or systems after third party sawing, handling, packing or assembly of the die. It is the responsibility of the customer to test and qualify their application in which the die is used.

---

67 × 101 Grey-scale/ECB colour dot matrix  
LCD driver

---

PCF8820

## 21 PURCHASE OF PHILIPS I<sup>2</sup>C COMPONENTS



Purchase of Philips I<sup>2</sup>C components conveys a license under the Philips' I<sup>2</sup>C patent to use the components in the I<sup>2</sup>C system provided the system conforms to the I<sup>2</sup>C specification defined by Philips. This specification can be ordered using the code 9398 393 40011.

---

67 × 101 Grey-scale/ECB colour dot matrix  
LCD driver

---

PCF8820

**NOTES**

# Philips Semiconductors – a worldwide company

**Argentina:** see South America

**Australia:** 3 Figtree Drive, HOMEBUSH, NSW 2140,  
Tel. +61 2 9704 8141, Fax. +61 2 9704 8139

**Austria:** Computerstr. 6, A-1101 WIEN, P.O. Box 213,  
Tel. +43 1 60 101 1248, Fax. +43 1 60 101 1210

**Belarus:** Hotel Minsk Business Center, Bld. 3, r. 1211, Volodarski Str. 6,  
220050 MINSK, Tel. +375 172 20 0733, Fax. +375 172 20 0773

**Belgium:** see The Netherlands

**Brazil:** see South America

**Bulgaria:** Philips Bulgaria Ltd., Energoproject, 15th floor,  
51 James Bourchier Blvd., 1407 SOFIA,  
Tel. +359 2 68 9211, Fax. +359 2 68 9102

**Canada:** PHILIPS SEMICONDUCTORS/COMPONENTS,  
Tel. +1 800 234 7381, Fax. +1 800 943 0087

**China/Hong Kong:** 501 Hong Kong Industrial Technology Centre,  
72 Tat Chee Avenue, Kowloon Tong, HONG KONG,  
Tel. +852 2319 7888, Fax. +852 2319 7700

**Colombia:** see South America

**Czech Republic:** see Austria

**Denmark:** Sydhavnsgade 23, 1780 COPENHAGEN V,  
Tel. +45 33 29 3333, Fax. +45 33 29 3905

**Finland:** Sinikalliontie 3, FIN-02630 ESPOO,  
Tel. +358 9 615 800, Fax. +358 9 6158 0920

**France:** 51 Rue Carnot, BP317, 92156 SURESNES Cedex,  
Tel. +33 1 4099 6161, Fax. +33 1 4099 6427

**Germany:** Hammerbrookstraße 69, D-20097 HAMBURG,  
Tel. +49 40 2353 60, Fax. +49 40 2353 6300

**Hungary:** see Austria

**India:** Philips INDIA Ltd, Band Box Building, 2nd floor,  
254-D, Dr. Annie Besant Road, Worli, MUMBAI 400 025,  
Tel. +91 22 493 8541, Fax. +91 22 493 0966

**Indonesia:** PT Philips Development Corporation, Semiconductors Division,  
Gedung Philips, Jl. Buncit Raya Kav.99-100, JAKARTA 12510,  
Tel. +62 21 794 0040 ext. 2501, Fax. +62 21 794 0080

**Ireland:** Newstead, Clonskeagh, DUBLIN 14,  
Tel. +353 1 7640 000, Fax. +353 1 7640 200

**Israel:** RAPAC Electronics, 7 Kehilat Saloniki St, PO Box 18053,  
TEL AVIV 61180, Tel. +972 3 645 0444, Fax. +972 3 649 1007

**Italy:** PHILIPS SEMICONDUCTORS, Via Casati, 23 - 20052 MONZA (MI),  
Tel. +39 039 203 6838, Fax +39 039 203 6800

**Japan:** Philips Bldg 13-37, Kohnan 2-chome, Minato-ku,  
TOKYO 108-8507, Tel. +81 3 3740 5130, Fax. +81 3 3740 5057

**Korea:** Philips House, 260-199 Itaewon-dong, Yongsan-ku, SEOUL,  
Tel. +82 2 709 1412, Fax. +82 2 709 1415

**Malaysia:** No. 76 Jalan Universiti, 46200 PETALING JAYA, SELANGOR,  
Tel. +60 3 750 5214, Fax. +60 3 757 4880

**Mexico:** 5900 Gateway East, Suite 200, EL PASO, TEXAS 79905,  
Tel. +9-5 800 234 7381, Fax +9-5 800 943 0087

**Middle East:** see Italy

**Netherlands:** Postbus 90050, 5600 PB EINDHOVEN, Bldg. VB,  
Tel. +31 40 27 82785, Fax. +31 40 27 88399

**New Zealand:** 2 Wagener Place, C.P.O. Box 1041, AUCKLAND,  
Tel. +64 9 849 4160, Fax. +64 9 849 7811

**Norway:** Box 1, Manglerud 0612, OSLO,  
Tel. +47 22 74 8000, Fax. +47 22 74 8341

**Pakistan:** see Singapore

**Philippines:** Philips Semiconductors Philippines Inc.,  
106 Valero St. Salcedo Village, P.O. Box 2108 MCC, MAKATI,  
Metro MANILA, Tel. +63 2 816 6380, Fax. +63 2 817 3474

**Poland:** Al.Jerozolimskie 195 B, 02-222 WARSAW,  
Tel. +48 22 5710 000, Fax. +48 22 5710 001

**Portugal:** see Spain

**Romania:** see Italy

**Russia:** Philips Russia, Ul. Usatcheva 35A, 119048 MOSCOW,  
Tel. +7 095 755 6918, Fax. +7 095 755 6919

**Singapore:** Lorong 1, Toa Payoh, SINGAPORE 319762,  
Tel. +65 350 2538, Fax. +65 251 6500

**Slovakia:** see Austria

**Slovenia:** see Italy

**South Africa:** S.A. PHILIPS Pty Ltd., 195-215 Main Road Martindale,  
2092 JOHANNESBURG, P.O. Box 58088 Newville 2114,  
Tel. +27 11 471 5401, Fax. +27 11 471 5398

**South America:** Al. Vicente Pinzon, 173, 6th floor,  
04547-130 SÃO PAULO, SP, Brazil,  
Tel. +55 11 821 2333, Fax. +55 11 821 2382

**Spain:** Balmes 22, 08007 BARCELONA,  
Tel. +34 93 301 6312, Fax. +34 93 301 4107

**Sweden:** Kottbygatan 7, Akalla, S-16485 STOCKHOLM,  
Tel. +46 8 5985 2000, Fax. +46 8 5985 2745

**Switzerland:** Allmendstrasse 140, CH-8027 ZÜRICH,  
Tel. +41 1 488 2741 Fax. +41 1 488 3263

**Taiwan:** Philips Semiconductors, 5F, No. 96, Chien Kuo N. Rd., Sec. 1,  
TAIPEI, Taiwan Tel. +886 2 2134 2451, Fax. +886 2 2134 2874

**Thailand:** PHILIPS ELECTRONICS (THAILAND) Ltd.,  
60/14 MOO 11, Bangna Trad Road KM. 3, Bagna, BANGKOK 10260,  
Tel. +66 2 361 7910, Fax. +66 2 398 3447

**Turkey:** Yukari Dudullu, Org. San. Blg., 2.Cad. Nr. 28 81260 Umraniye,  
ISTANBUL, Tel. +90 216 522 1500, Fax. +90 216 522 1813

**Ukraine:** PHILIPS UKRAINE, 4 Patrice Lumumba str., Building B, Floor 7,  
252042 KIEV, Tel. +380 44 264 2776, Fax. +380 44 268 0461

**United Kingdom:** Philips Semiconductors Ltd., 276 Bath Road, Hayes,  
MIDDLESEX UB3 5BX, Tel. +44 208 730 5000, Fax. +44 208 754 8421

**United States:** 811 East Arques Avenue, SUNNYVALE, CA 94088-3409,  
Tel. +1 800 234 7381, Fax. +1 800 943 0087

**Uruguay:** see South America

**Vietnam:** see Singapore

**Yugoslavia:** PHILIPS, Trg N. Pasica 5/v, 11000 BEOGRAD,  
Tel. +381 11 3341 299, Fax.+381 11 3342 553

**For all other countries apply to:** Philips Semiconductors,  
Marketing Communications, Building BE-p, P.O. Box 218, 5600 MD EINDHOVEN,  
The Netherlands, Fax. +31 40 27 24825

**Internet:** <http://www.semiconductors.philips.com>

© Philips Electronics N.V. 2000

SCA 70

All rights are reserved. Reproduction in whole or in part is prohibited without the prior written consent of the copyright owner.

The information presented in this document does not form part of any quotation or contract, is believed to be accurate and reliable and may be changed without notice. No liability will be accepted by the publisher for any consequence of its use. Publication thereof does not convey nor imply any license under patent- or other industrial or intellectual property rights.

Printed in The Netherlands

403512/01/pp60

Date of release: 2000 Dec 07

Document order number: 9397 750 06586

*Let's make things better.*

**Philips  
Semiconductors**



**PHILIPS**