

Octal shift/count registered transceiver with adder and parity (3–State)

FAST 74F807

FEATURES

- High speed parallel registers with positive edge–triggered D–type flip–flops
- High speed full adder
- 8–bit parity generator
- High impedance PNP inputs for light bus loading
- Center V_{CC} and GND pins and controlled output buffers minimize ground–bounce problems
- 3–State glitch–free power–up and power–down
- Broadside pinout

DESCRIPTION

The 74F807 is a registered transceiver that also has the capability to perform count, shift, and add functions. It is also has the capability to generate a parity bit output. All of this is done within a 28–pin package.

The \overline{MR} input is an overriding asynchronous reset which forces the STATOUT output low as well as the A and B busses.

The A and B busses have separate \overline{OE} inputs (\overline{OEA} , \overline{OEB}). These inputs have no bearing on the internal functioning of

this device only on the output states. Both \overline{OE} pins are enabled low.

All operating modes, other than clear, 3–State, and the two hold modes require the rising edge of the clock. All setup and hold times must be observed for proper functioning.

Data on the internal register can be switched on either the A or B ports for output.

Depeding on the state of the select inputs (S0, S1, S2), and carry in/ serial in/ clock enable (CI/SI/CE), the 74F807 has nine distinct operating modes:

1. Add mode w/carry in – the CI/SI/CE input is used as a carry in signal and the STATOUT output is the carry out signal. (In add mode the COUT is NOT registered. This means the carry output signal appears at the STATOUT output one clock prior to the related data.). In this mode, the CI/SI/CE input is added to the register contents and to the inputs. (The adder uses only the A_n inputs, not the B_n inputs.)
2. Add mode wo/carry in — same as above except the CI/SI/CE input is not included in the addition.
3. Count w/count enable (count) — the CI/SI/CE input is now used as the count enable

input and the STATOUT output is terminal count. In this mode the CI/SI/CE input must be high to enable the count function. The register contents are incremented by one.

4. Count w/count enable (hold) — same as above except no incrementing occurs.
5. Count wo/count enable — same as number 3 except the CI/SI/CE input has no control over counting or holding.
6. Shift — The CI/SI/CE input now becomes the serial input and the STATOUT output becomes the serial output. In this mode the CI/SI/CE input is shifted into the Q0 register, Q0 into the Q1 register etc. The Q7 register is shifted into the STATOUT.
7. Load A inputs — The CI/SI/CE input has no bearing in either of the load modes. The STATOUT output becomes the parity out. The parity out is high for an odd number of registered bits high, and low for even number of registered bits high (even parity). In this mode the A_n inputs are loaded into the internal register and output to the B bus. If \overline{OEA} = low the internal register would wrap around and be loaded again.
8. Load B inputs — same as number 7 except the A and B busses are switched.
9. Hold — Again the CI/SI/CE input is not used; the STATOUT output is still the parity out. In this mode either the A bus, B bus or both can be held with the registered data. No other operation is performed.

TYPE	TYPICAL f _{max}	TYPICAL SUPPLY CURRENT (TOTAL)
74F807	115MHz	155mA

ORDERING INFORMATION

DESCRIPTION	ORDER CODE
	COMMERCIAL RANGE V _{CC} = 5V ±10%, T _{amb} = 0°C to +70°C
28–pin plastic DIP (300 mils)	N74F807N
28–pin SOL ¹	N74F807D
28–pin PLCC	N74F807A

Note to ordering information

1. Thermal mounting techniques are recommended. See SMD Process Applications (page 17) for a discussion of thermal consideration for surface mounted devices.

Octal shift/count registered transceiver with adder and parity (3-State)

FAST 74F807

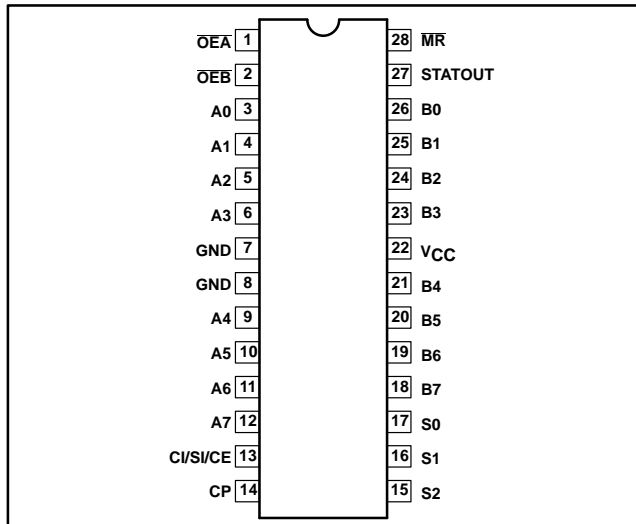
INPUT AND OUTPUT LOADING AND FAN OUT TABLE

PINS	DESCRIPTION	74F (U.L.) HIGH/LOW	LOAD VALUE HIGH/LOW
An, Bn	Data I/O inputs	3.5/0.166	70µA/70µA
\overline{OEA} , \overline{OEB}	A output enable inputs	1.0/0.033	20µA/20µA
CI/SI/CE	Carry in/serial in/clock enable input	1.0/0.033	20µA/20µA
CP	Clock input	1.0/0.033	20µA/20µA
\overline{MR}	Master reset input (active low)	1.0/0.033	20µA/20µA
Sn	Select inputs	1.0/0.033	20µA/20µA
STATOUT	Status out output	150/40	3mA/24mA
An, Bn	Data I/O outputs	150/40	3mA/24mA

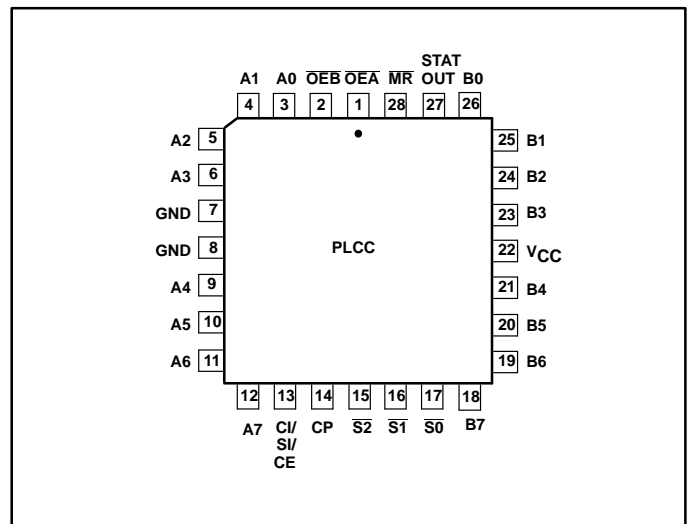
Note to input and output loading and fan out table

- One (1.0) FAST unit load is defined as: 20µA in the high state and 0.6mA in the low state.

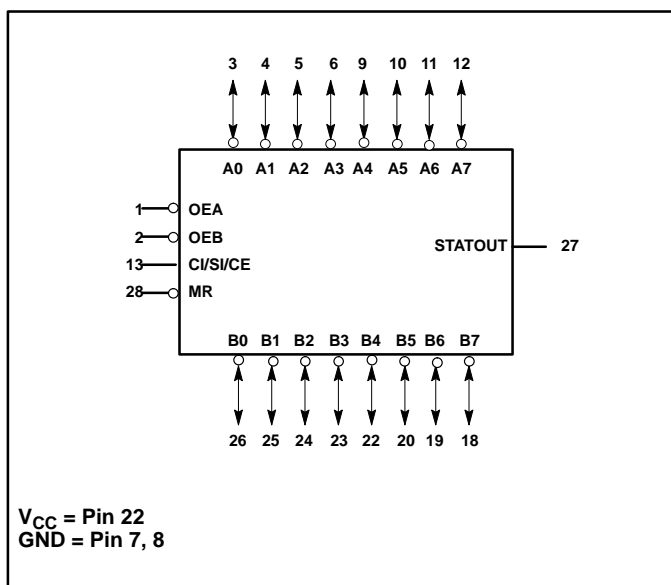
PIN CONFIGURATION



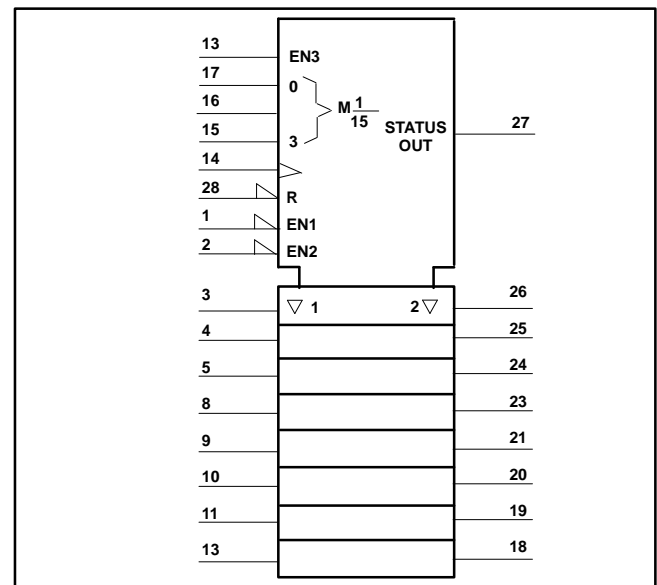
PIN CONFIGURATION PLCC



LOGIC SYMBOL



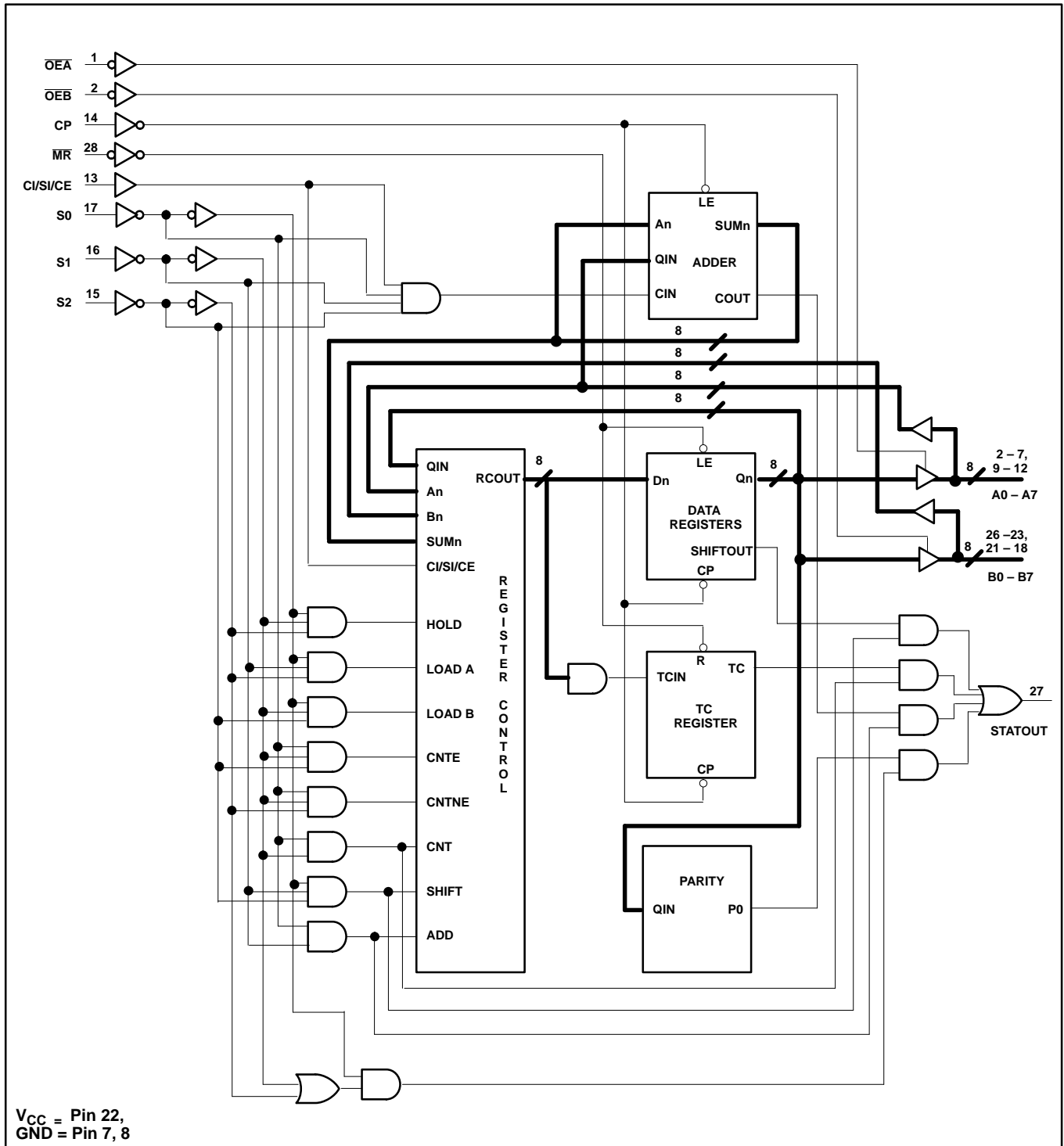
IEC/IEEE SYMBOL



Octal shift/count registered transceiver with adder and parity (3-State)

FAST 74F807

LOGIC DIAGRAM



Octal shift/count registered transceiver with adder and parity (3-State)

FAST 74F807

FUNCTION TABLE

INPUTS						INTERNAL REGISTER	OUTPUT	OPERATING MODE
MR	CP	SO	S1	S2	CI/SI/CE	Qn	STATOUT	
L	X	X	X	X	X	L	L	Clear
H	↑	L	L	L	CI/SI/CE	CI/SI/CE + an0 + qn0	COUT	Add mode w/carry in
H	↑	L	L	H	X	an0 + qn0	COUT	Add mode wo/carry in
H	↑	L	H	L	H	qn0 + 1	TC (1)	Count w/count enable (count)
H	X	L	H	H	L	qn0	TC (1)	Count w/count enable (hold)
H	↑	L	H	H	X	qn0 + 1	TC (1)	Count wo/count enable
H	↑	H	L	L	CI/SI/CE	(3)	Q7	Shift
H	↑	H	L	H	X	An0	parity (2)	Load A ports
H	↑	H	H	L	X	Bn0	parity (2)	Load B ports
H	X	H	H	H	X	Qn0	parity (2)	Hold

Notes to function table

1. H = High-voltage level
2. L = Low-voltage level
3. a, b, q = Lower case indicate the state of the referenced output prior to the low-to-high clock transition
4. X = Don't care
5. Z = High impedance "off" state
6. ↑ = Low-to-high clock transition.
7. (1) = Terminal count is high when the output is a terminal count (HHHHHHHH).
8. (2) = Parity is high for odd number of internal register bits high, low for even number of internal register bits high.
9. (3) = CI/SI/CE → Q0 → Q1, etc.

OE FUNCTION TABLE

INPUTS		OUTPUTS		MODE
OEa	OEb	An	Bn	
L	L	active output	active output	Enable A and B outputs
L	H	active output	input	Enable A outputs, B inputs
H	L	input	active output	A inputs, enable B outputs
H	H	input	input	A and B are inputs

NOTE: The outputs, whether An or Bn, are equal to the INTERNAL REGISTER Qn.

ABSOLUTE MAXIMUM RATINGS (Operation beyond the limits set forth in this table may impair the useful life of the device. Unless otherwise noted, these limits are over the operating free-air temperature range.)

SYMBOL	PARAMETER	RATING	UNIT
V _{CC}	Supply voltage	-0.5 to +7.0	V
V _{IN}	Input voltage	-0.5 to +7.0	V
I _{IN}	Input current	-30 to +5	mA
V _{OUT}	Voltage applied to output in high output state	-0.5 to V _{CC}	V
I _{OUT}	Current applied to output in low output state	48	mA
T _{amb}	Operating free air temperature range	0 to +70	°C
T _{stg}	Storage temperature range	-65 to +150	°C

NOTE: When outputs are disabled the internal registers (Qn) operate as usual.

Octal shift/count registered transceiver with adder and parity (3-State)

FAST 74F807

RECOMMENDED OPERATING CONDITIONS

SYMBOL	PARAMETER	LIMITS			UNIT
		MIN	NOM	MAX	
V _{CC}	Supply voltage	4.5	5.0	5.5	V
V _{IH}	High-level input voltage	2.0			V
V _{IL}	Low-level input voltage			0.8	V
I _{IK}	Input clamp current			-18	mA
I _{OH}	High-level output current			-3	mA
I _{OL}	Low-level output current			24	mA
T _{amb}	Operating free air temperature	0		+70	°C

DC ELECTRICAL CHARACTERISTICS

(Over recommended operating free-air temperature range unless otherwise noted.)

SYMBOL	PARAMETER	TEST CONDITIONS ¹	LIMITS			UNIT
			MIN	TYP ²	MAX	
V _{OH}	High-level output voltage	V _{CC} = MIN, V _{IL} = MAX, ±10%V _{CC}	2.4			V
		V _{IH} = MIN, I _{OH} = MAX, ±5%V _{CC}	2.7	3.4		V
V _{OL}	Low-level output voltage	V _{CC} = MIN, V _{IL} = MAX, ±10%V _{CC}		0.35	0.50	V
		V _{IH} = MIN, I _{OL} = MAX, ±5%V _{CC}		0.35	0.50	V
V _{IK}	Input clamp voltage	V _{CC} = MIN, I _I = I _{IK}		-0.73	-1.2	V
I _I	Input current at maximum input voltage	V _{CC} = MAX, V _I = 7.0V			100	μA
I _{IH}	High-level input current	V _{CC} = MAX, V _I = 2.7V			20	μA
I _{IL}	Low-level input current	V _{CC} = MAX, V _I = 0.5V			-20	μA
I _{OZH} + I _{IH}	Off-state output current, high-level voltage applied	An, Bn V _{CC} = MAX, V _O = 2.7V			50	μA
I _{OZL} + I _{IL}	Off-state output current, low-level voltage applied				-50	μA
I _{OS}	Short-circuit output current ³	V _{CC} = MAX	-60		-150	mA
I _{CC}	Supply current (total)	V _{CC} = MAX		155	210	mA

Notes to DC electrical characteristics

- For conditions shown as MIN or MAX, use the appropriate value specified under recommended operating conditions for the applicable type.
- All typical values are at V_{CC} = 5V, T_{amb} = 25°C.
- Not more than one output should be shorted at a time. For testing I_{OS}, the use of high-speed test apparatus and/or sample-and-hold techniques are preferable in order to minimize internal heating and more accurately reflect operational values. Otherwise, prolonged shorting of a high output may raise the chip temperature well above normal and thereby cause invalid readings in other parameter tests. In any sequence of parameter tests, I_{OS} tests should be performed last.

Octal shift/count registered transceiver with adder and parity (3-State)

FAST 74F807

AC ELECTRICAL CHARACTERISTICS

SYMBOL	PARAMETER	TEST CONDITION	LIMITS					UNIT
			T _{amb} = +25°C			T _{amb} = 0°C to +70°C		
			V _{CC} = +5.0V			V _{CC} = +5.0V ± 10%		
			C _L = 50pF, R _L = 500Ω			C _L = 50p, R _L = 500Ω		
			MIN	TYP	MAX	MIN	MAX	
f _{max}	Maximum clock frequency	Waveform 1	100	115		70		MHz
t _{PLH} t _{PHL}	Propagation delay CP to An or Bn (load)	Waveform 1	9.0 5.0	10.5 6.5	11.5 9.5	8.0 4.5	13.5 10.0	ns
t _{PLH} t _{PHL}	Propagation delay CP to An or Bn (shift)	Waveform 1	9.0 4.5	10.5 6.5	12.5 9.5	8.0 4.5	15.0 10.0	ns
t _{PLH} t _{PHL}	Propagation delay CP to An or Bn (count)	Waveform 1	9.0 5.0	11.5 6.5	14.0 9.5	8.0 4.5	15.5 10.0	ns
t _{PLH} t _{PHL}	Propagation delay CP to Bn (add)	Waveform 1	9.0 5.0	10.5 6.5	11.5 9.5	8.0 4.5	13.5 10.0	ns
t _{PLH} t _{PHL}	Propagation delay CP to STATOUT (load A)	Waveform 1	17.5 12.5	19.5 14.5	22.5 17.0	15.5 11.5	26.5 19.0	ns
t _{PLH} t _{PHL}	Propagation delay CP to STATOUT (shift)	Waveform 1	11.0 7.0	13.0 8.5	15.5 11.5	9.5 6.5	18.0 12.0	ns
t _{PLH} t _{PHL}	Propagation delay CP to STATOUT (count)	Waveform 1	10.5 6.5	12.0 8.0	15.0 11.0	9.0 6.0	17.0 11.5	ns
t _{PLH} t _{PHL}	Propagation delay CP to STATOUT (add)	Waveform 1	13.0 8.5	15.0 10.5	18.0 13.0	11.5 8.0	20.5 14.0	ns
t _{PHL}	Propagation delay MR to An or Bn (load A)	Waveform 3	6.5	8.0	11.0	6.0	12.0	ns
t _{PHL}	Propagation delay MR to STATOUT (load A)	Waveform 3	14.0	16.0	18.5	13.0	20.5	ns
t _{PHL}	Propagation delay MR to STATOUT (shift)	Waveform 3	8.5	10.0	12.5	8.0	14.0	ns
t _{PHL}	Propagation delay MR to STATOUT (count)	Waveform 3	8.5	10.0	12.5	8.0	14.0	ns
t _{PHL}	Propagation delay MR to STATOUT (add)	Waveform 3	10.5	12.0	14.5	9.5	16.0	ns
t _{PLH} t _{PHL}	Propagation delay An to STATOUT (add)	Waveform 4	6.5 8.0	14.0 14.0	23.5 22.5	5.5 7.5	26.5 27.0	ns
t _{PLH} t _{PHL}	Propagation delay CI/SI/CE to STATOUT	Waveform 4	19.5 21.0	21.5 22.5	24.0 25.5	17.0 20.0	28.0 29.5	ns
t _{PLH} t _{PHL}	Propagation delay Sn to STATOUT (load A)	Waveform 4	8.0 7.5	10.0 11.5	12.5 15.5	7.0 7.0	14.5 17.0	ns
t _{PLH} t _{PHL}	Propagation delay Sn to STATOUT (load B)	Waveform 4	6.5 8.0	10.0 12.0	13.0 15.0	5.5 7.0	15.0 16.5	ns
t _{PLH} t _{PHL}	Propagation delay Sn to STATOUT (add)	Waveform 4	19.0 18.5	21.0 20.0	23.5 23.0	17.0 17.5	27.5 26.0	ns
t _{PLH} t _{PHL}	Propagation delay Sn to STATOUT (shift)	Waveform 4	6.0 8.0	8.0 9.5	10.5 12.0	5.0 7.0	12.0 13.5	ns
t _{PZH} t _{PZL}	Output enable time, OE \bar{A} to An or OE \bar{B} to Bn	Waveform 6 Waveform 7	2.5 4.0	4.5 5.5	7.0 8.5	2.0 3.5	8.0 9.0	ns
t _{PHZ} t _{PLZ}	Output disable time, OE \bar{A} to An or OE \bar{B} to Bn	Waveform 6 Waveform 7	2.0 3.5	4.5 5.5	7.5 8.5	2.0 3.0	9.0 9.5	ns

Octal shift/count registered transceiver with adder and parity (3-State)

FAST 74F807

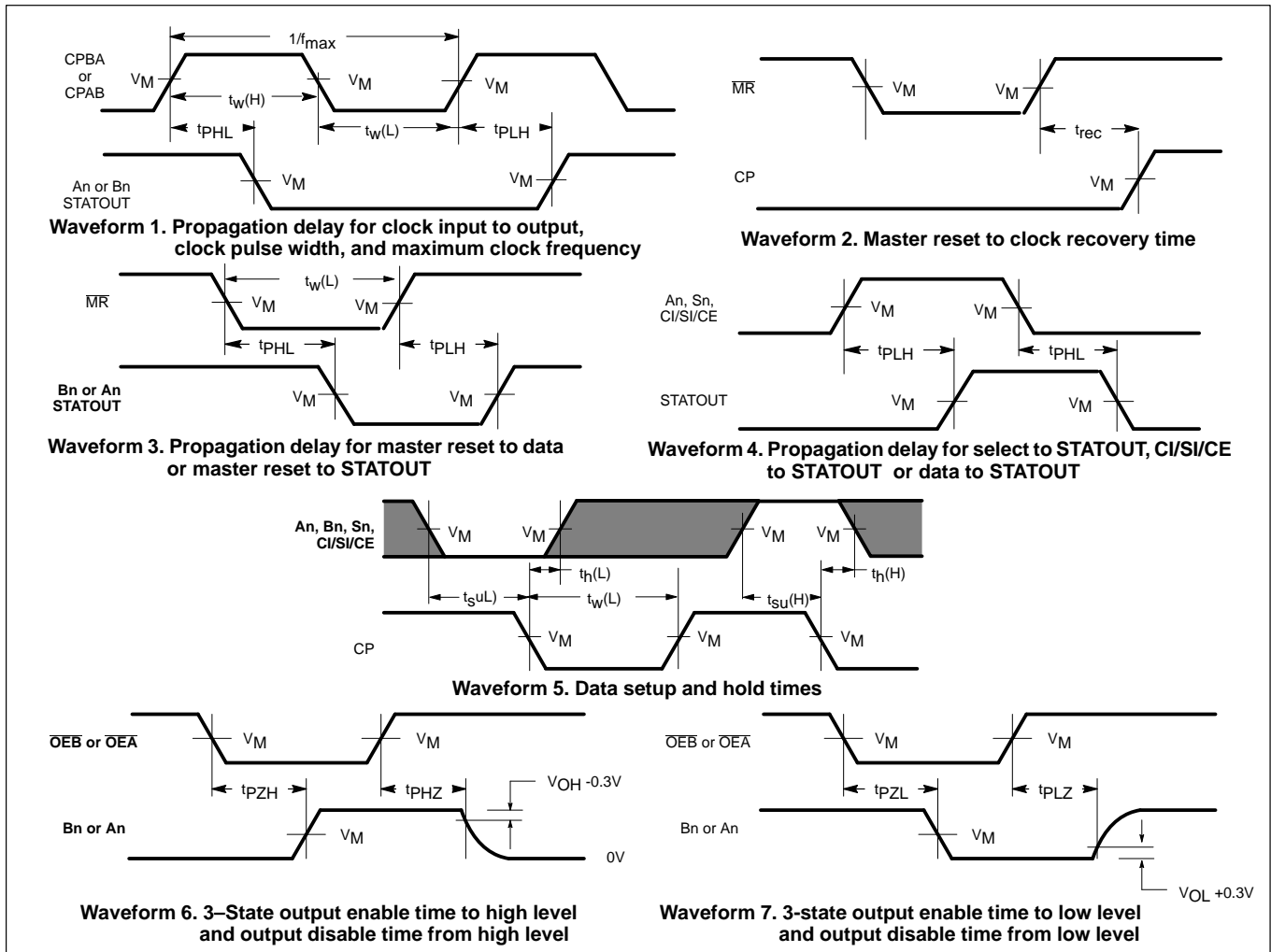
AC SETUP REQUIREMENTS

SYMBOL	PARAMETER	TEST CONDITION	LIMITS					UNIT
			T _{amb} = +25°C V _{CC} = +5.0V C _L = 50pF, R _L = 500Ω			T _{amb} = 0°C to +70°C V _{CC} = +5.0V ± 10% C _L = 50pF, R _L = 500Ω		
			MIN	TYP	MAX	MIN	MAX	
t _{SU} (H) t _{SU} (L)	Setup time, high or low An, Bn to CP (load)	Waveform 5	6.0 9.5			6.5 12.0		ns
t _H (H) t _H (L)	Hold time, high or low An, Bn to CP (load)	Waveform 5	0.0 0.0			0.0 0.0		ns
t _{SU} (H) t _{SU} (L)	Setup time, high or low An, Bn to CP (add)	Waveform 5	10.5 16.5			12.0 21.5		ns
t _H (H) t _H (L)	Hold time, high or low An, Bn to CP (add)	Waveform 5	0.0 0.0			0.0 0.0		ns
t _{SU} (H) t _{SU} (L)	Setup time, high or low Sn to CP (add)	Waveform 5	16.0 16.0			20.0 28.5		ns
t _{SU} (H) t _{SU} (L)	Setup time, high or low Sn to CP (count)	Waveform 5	16.5 19.5			19.0 22.5		ns
t _{SU} (H) t _{SU} (L)	Setup time, high or low Sn to CP (shift)	Waveform 5	11.0 7.0			13.0 8.0		ns
t _{SU} (H) t _{SU} (L)	Setup time, high or low Sn to CP (load)	Waveform 5	17.5 6.5			20.5 7.0		ns
t _H (H) t _H (L)	Hold time, high or low Sn to CP (all modes)	Waveform 5	0.0 0.0			0.0 0.0		ns
t _{SU} (H) t _{SU} (L)	Setup time, high or low CI/SI/CE to CP (add)	Waveform 5	10.0 18.0			11.5 22.0		ns
t _{SU} (H) t _{SU} (L)	Setup time, high or low CI/SI/CE to CP (count)	Waveform 5	8.5 16.0			10.0 18.5		ns
t _{SU} (H) t _{SU} (L)	Setup time, high or low CI/SI/CE to CP (shift)	Waveform 5	5.0 9.0			5.5 10.5		ns
t _H (H) t _H (L)	Hold time, high or low CI/SI/CE to CP (all modes)	Waveform 5	0.0 0.0			0.0 0.0		ns
t _W (H) t _W (L)	CP pulse width, High or low	Waveform 1	5.5 4.5			6.0 4.5		ns
t _W (L)	MR pulse width, low	Waveform 3	4.5			5.0		ns
t _{rec}	Recovery time, MR to CP	Waveform 2	2.0			2.0		ns

Octal shift/count registered transceiver with adder and parity (3-State)

FAST 74F807

AC WAVEFORMS



Notes to AC waveforms

- For all waveforms, $V_M = 1.5V$.
- The shaded areas indicate when the input is permitted to change for predictable output performance.

TEST CIRCUIT AND WAVEFORMS

