

GTO 1200-2R

Vishay ESTA



GTO Snubber Capacitors, Dry Self-healing

PART NO.	GTO 1200-2R	
ART. NO.	15915	
NOMINAL RATINGS		
Capacitance/Tolerance	CN	2 uF ± 5%
Rated voltage	UN	1200V
Rated DC voltage	Udc	800VDC
Rated RMS voltage	Urms	500VAC
Peak voltage period.	Us	1200VDC
Peak voltage not period.	Usmax	1700VDC
Voltage raise	du/dt	2000V/us
Rated current	In	32A
Peak current	Is	4000A
Inductance	Ls	< 10nH
Loss factor diel.	tanδ	< 2*10 ⁻⁴
Loss factor 50 Hz	tanδ	< 2*10 ⁻⁴
Loss factor 1 kHz	tanδ	< 10.0*10 ⁻⁴

ROUTINE TESTS

Test voltage terminal/terminal	UT/T	1600V, DC, 10s
--------------------------------	------	----------------

OPERATING TEMPERATURE

Minimum ambient temperature	Ta min	- 40°C
Maximum ambient temperature	Ta max	60°C
Minimum casing temperature	Tc min	- 40°C
Maximum casing temperature	Tc max	70°C

Storage temperature

Minimum temperature	Tmin	- 50°C
Maximum temperature	Tmax	85°C

TECHNOLOGY

Dielectric	Polypropylene film metallized, self-healing
Filling material	resin, polyurethane dry

BUSHING

Internal thread	M6 depth 8mm
Max. torque	6Nm
Air distance	76mm
Creepage distance	76mm

DESIGN DATA

Diameter	60mm
Height	49mm
Drawing	20-B-050
Weight	0.1kg
Case material	plastic
Mounting	every position

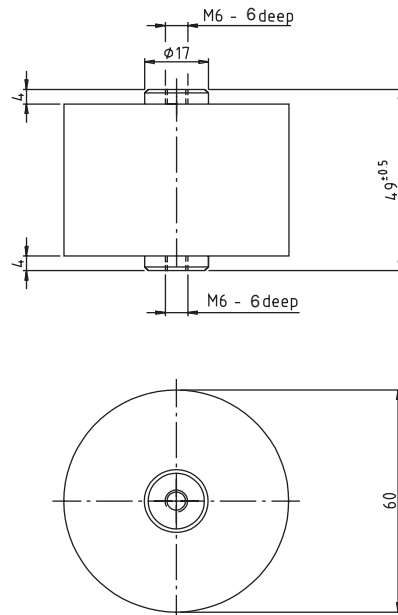
LIFE EXPECTANCY

> 100000 Std

FAILURE RATE

300 FIT

DIMENSIONS





Notice

Specifications of the products displayed herein are subject to change without notice. Vishay Intertechnology, Inc., or anyone on its behalf, assumes no responsibility or liability for any errors or inaccuracies.

Information contained herein is intended to provide a product description only. No license, express or implied, by estoppel or otherwise, to any intellectual property rights is granted by this document. Except as provided in Vishay's terms and conditions of sale for such products, Vishay assumes no liability whatsoever, and disclaims any express or implied warranty, relating to sale and/or use of Vishay products including liability or warranties relating to fitness for a particular purpose, merchantability, or infringement of any patent, copyright, or other intellectual property right.

The products shown herein are not designed for use in medical, life-saving, or life-sustaining applications. Customers using or selling these products for use in such applications do so at their own risk and agree to fully indemnify Vishay for any damages resulting from such improper use or sale.