

FM TUNER FOR CAR AUDIO.

Satisfied CE Mark Rules.

FEATURES

- Compact 4 Gang FM F/E Electronic Tuner.
- Upper Side Band Super Heterodyne System.
- Intermediate Frequency : 10.7MHz.
- ANT Input Impedance : 75Ω Unbalance.
- IF Output Impedance : 300Ω Unbalance.
- Receiving Frequency : 62~108.0MHz.
- Operation Tuning Voltage : 1.1~8.0V(Ta=25℃).

MAXIMUM RATING (Ta=25℃)

CHARACTERISTIC	SYMBOL	RATING	UNIT
Supply Voltage	V _{CC}	10	V
Tuning Voltage	V _T	8.5	V
AGC Voltage	V _{AGC}	6	V
Operating Temperature Range	T _{opr}	-20~70	℃

TUNING VOLTAGE

Receiving Frequency [MHz]	MIN.	TYP.	MAX.	UNIT	Receiving Frequency [MHz]	MIN.	TYP.	MAX.	UNIT
62	0.9	1.1	-	V	90	-	5.1	-	V
66	-	1.6	-		94	-	5.6	-	
70	-	2.2	-		98	-	6.2	-	
74	-	2.8	-		102	-	6.75	-	
78	-	3.45	-		106	-	7.4	-	
82	-	4.0	-		108	-	7.9	8.5	
86	-	4.5	-						

KCF231V/H

ELECTRICAL CHARACTERISTICS (Ta=25°C)

(Unless Otherwise Specified : V_{CC}=8.2V, f_i=98MHz, Δf=22.5kHz, f_m=1kHz, V_{AGC}=5V)

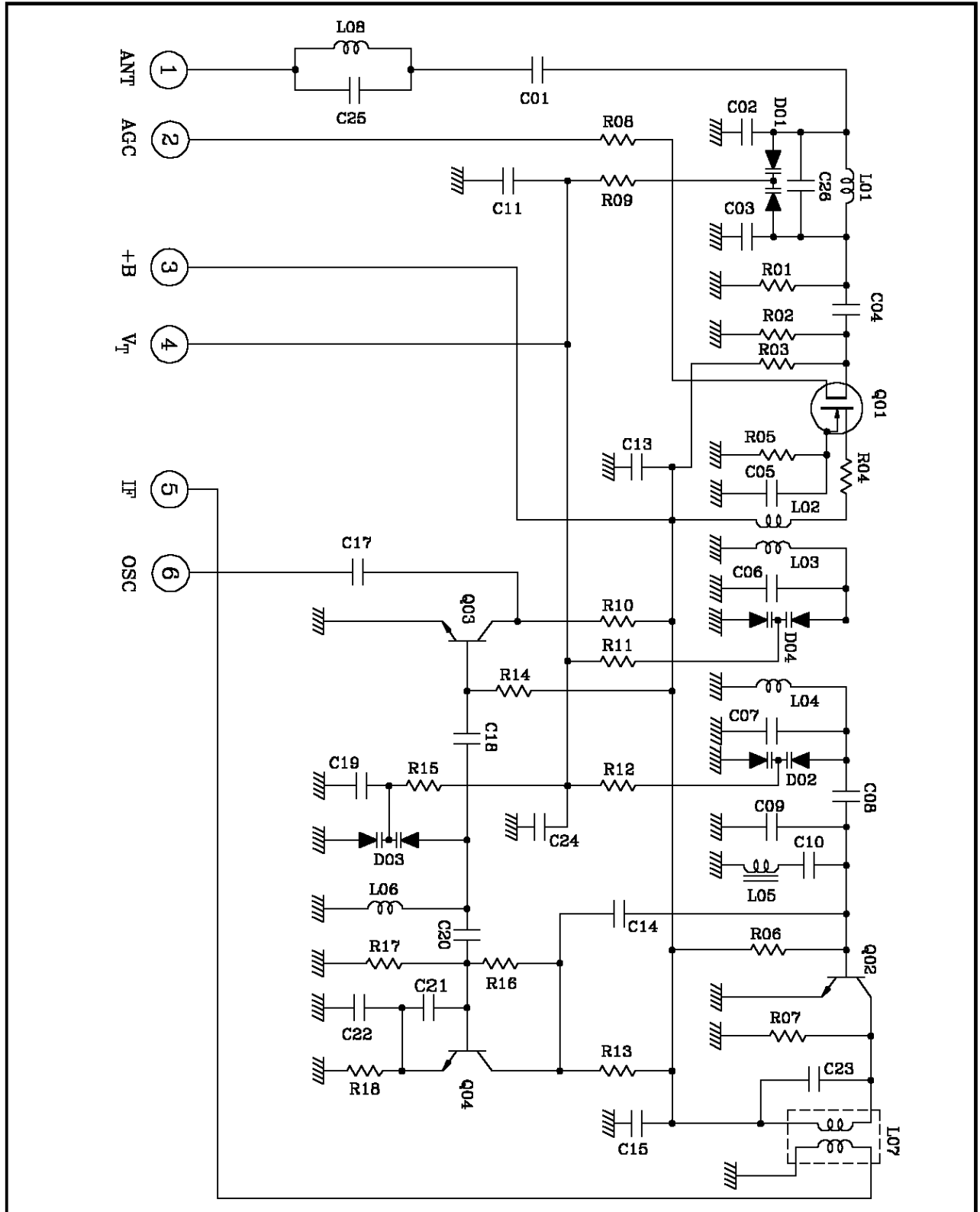
CHARACTERISTIC	TEST CONDITION	MIN.	TYP.	MAX.	UNIT
Power Gain	at 68MHz	23	28	32	dB
	at 98MHz	25	30	34	
Gain Balance	62~74MHz	-	2.0	6.0	dB
	87.5~108MHz	-	2.0	6.0	
Noise Figure	68, 98MHz	-	6.0	9.0	dB
Image Rejection	70, 106MHz	55	65	-	dB
IF Rejection	64, 90MHz	55	65	-	dB
1/2 IF Rejection	62~74MHz	60	70	-	dB
	87.5~108MHz	60	70	-	dB
2 × OSC Rejection	62~74MHz	65	75	-	dB
	87.5~108MHz	55	65	-	dB
AGC Reduction	5V→3V	-14	-20	-26	dB
OSC Output Voltage	1kΩ Load(rms)	100	150	200	mV
IF Band Width	-3dB	300	500	700	kHz
Current Consumption		20	30	40	mA
OSC +B Stability	STD Voltage ±10%	-	±200	±250	kHz
OSC Frequency Drift Against Strong Signal Input	ANT Input Level 60dB μV→120dBμV	-	±5	±30	kHz
Spurious		Shall be Contented FCC, CE Rule			
OSC Temperature Drift	20±40°C	MAX. ±600			kHz
		MAX. ±6.0			dB
OSC Stop Voltage		MIN. 4.5			V

* Standard Testing Condition

1. Temperature Condition : 20±2°C
2. Relativ Humidity Condition : 60±5%
3. Allowable Variation of Supply Voltage : ±0.1V(Max.)
4. Allowable Variation of Tuning Voltage : ±0.01V(Max.)

KCF231V/H

INTERNAL CIRCUIT



KCF231V/H

OUTLINE DIMENSIONS (Unit:mm)

