

Stepping Motors

M42SP-5, -5K

OUTLINE

"M42SP-5" has the holding torque of $94.1\text{mN} \cdot \text{m}$, the pull-out torque of $46.10\text{mN} \cdot \text{m}/200\text{pps}$, and the pull-in torque of $45.6\text{mN} \cdot \text{m}/200\text{pps}$ (24V DC), which are highest torques in the outer diameter $\phi 42$ model series.

"M42SP-5K" implements such quick response as the holding torque of $85.0\text{mN} \cdot \text{m}$, the pull-out torque of $65.0\text{mN} \cdot \text{m}/800\text{pps}$, and the pull-in torque of $76.0\text{mN} \cdot \text{m}/200\text{pps}$ (24V DC). In addition, it provides an extremely quiet running environment.



FEATURES

1. High output torque (M42SP-5), quick response (M42SP-5K).
2. Superior running quietness and stability.
3. Step angle : 7.5° .
4. Excellent responsiveness acquired.

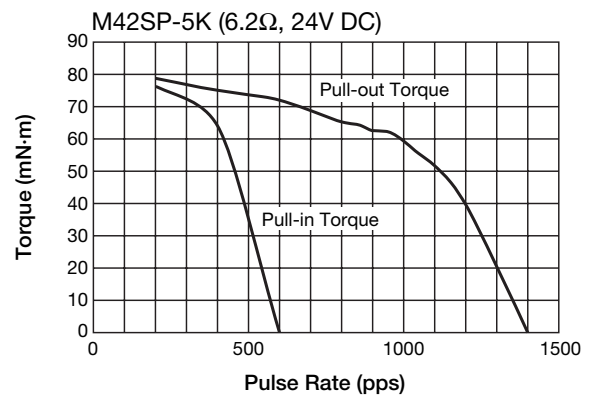
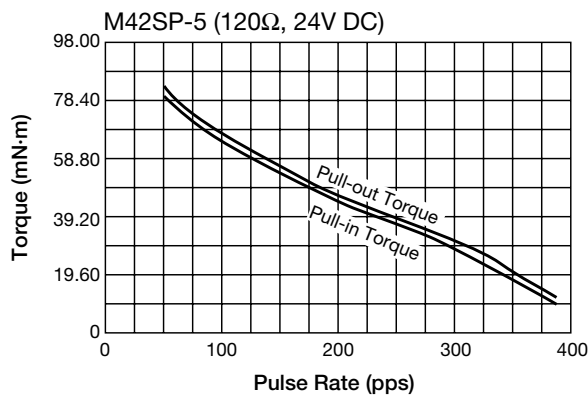
USES

Printers, multifunction machines, copy machines, FAX, and such.

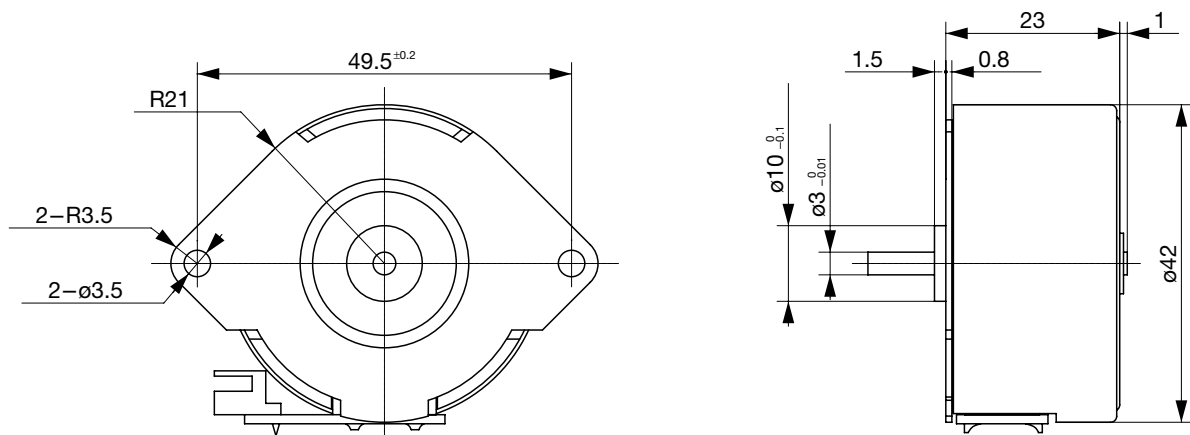
SPECIFICATIONS

Items	M42SP-5	M42SP-5K
Rated Voltage	DC 24V	
Working Voltage	DC 21.6~26.4V	
Rated Current/Phase	216mA	850mA (PEAK)
No. of Phase	4 Phase	
Coil DC Resistance	120Ω/phase±7%	6.2Ω/phase±10%
Step Angle	7.5°/step	
Excitation Method	2-2 Phase excitation (Unipolar driving)	2-2 Phase excitation (Bipolar chopping driving)
Insulation Class	Class E insulation	
Holding Torque	94.1mN·m	85.0mN·m
Pull-out Torque	46.1mN·m/200pps	65.0mN·m/800pps
Pull-in Torque	45.6mN·m/200pps	76.0mN·m/200pps
Max. Pull-out Pulse Rate	445pps	1380pps
Max. Pull-in Pulse Rate	435pps	600pps

CHARACTERISTICS



DIMENSIONS



Unit : mm, General tolerance : ±0.5