

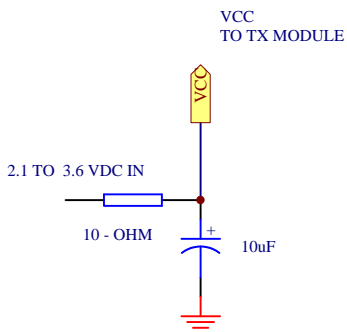
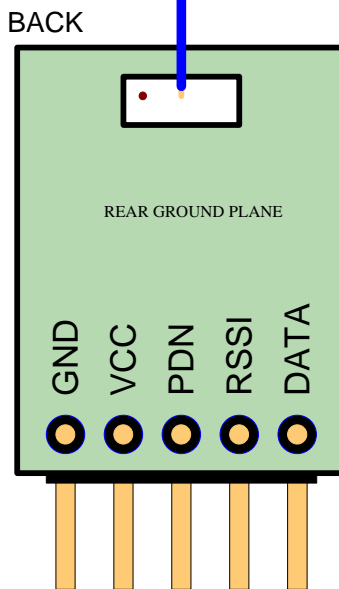
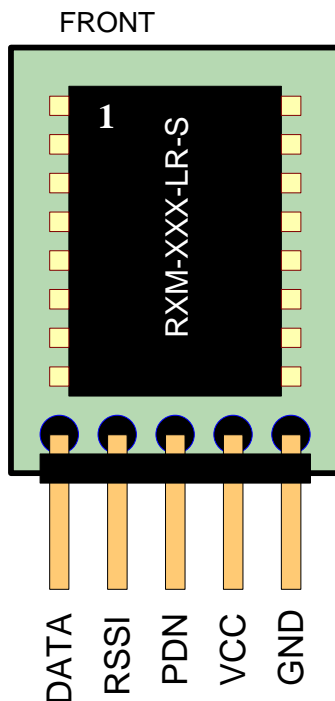
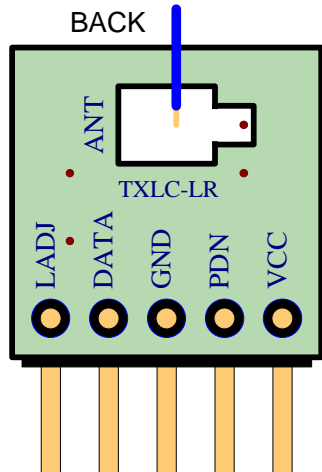
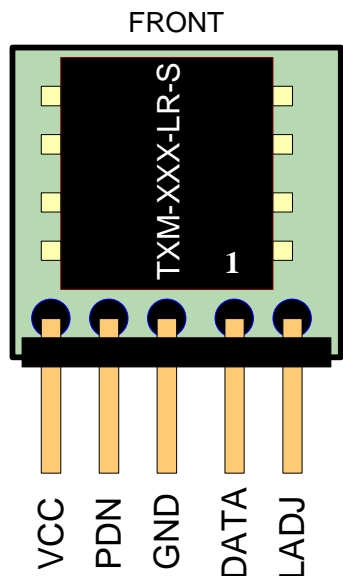
VISIT [HTTP://WWW.RENTRON.COM](http://www.rentron.com) FOR COMPONENTS & REMOTE CONTROL PROJECTS

ANTENNA LENGTH:
433MHz 1/4 WAVE = 6.5" | 315MHz 8.9" | 418MHz 6.7"

FOR TXLC-XXX-LR / RXLC XXX-LR

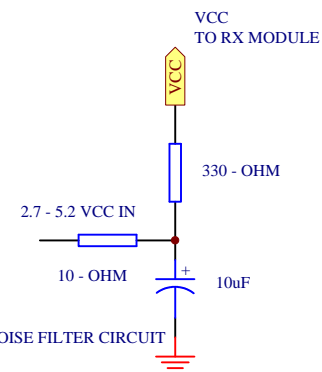
SOLDER ANTENNA TO PAD

SOLDER ANTENNA TO PAD



TRANSMITTER POWER SUPPLY NOISE FILTER CIRCUIT

PDN IS LOW POWER OR POWER-DOWN SELECT PIN
PDN = 0 LOW-POWER [SLEEP MODE]
PDN = 1 [OR FLOAT], NORMAL POWER MODE



RECEIVER POWER SUPPLY NOISE FILTER CIRCUIT

REMOVE 330 - OHM RESISTOR FOR 3 VDC OPERATION

NOTE:

NOISE FILTER CIRCUITS NOT NECESSARY WHEN USING BATTERIES WITH (< 20 mV pp), AND FREE HIGH-FREQUENCY NOISE.

WHEN IN DOUBT, USE BOTH NOISE FILTER CIRCUITS FOR OPTIMUM OPERATION & OPERATING DISTANCE

Reynolds Electronics
3101 Eastridge Lane
Canon City, Co. 81212
(719) 269-3469
<http://www.rentron.com>

Title TXLC-434 / RXLC-434 LR VERSION		
Size Orcad A	Number 1.0	Revision A
Date: 23-Feb-2006	Sheet 1 of 1	
File: C:\CAD\SCHEMATICS.Ddb	Drawn By: B. REYNOLDS	