

Features

- * LOW CURRENT REQUIREMENTS
- * EXCELLENT CHARACTER APPEARANCE
- * HIGH LIGHT OUTPUT
- * RELIABLE AND RUGGED
- * IC COMPATIBLE

PRELIMINARY

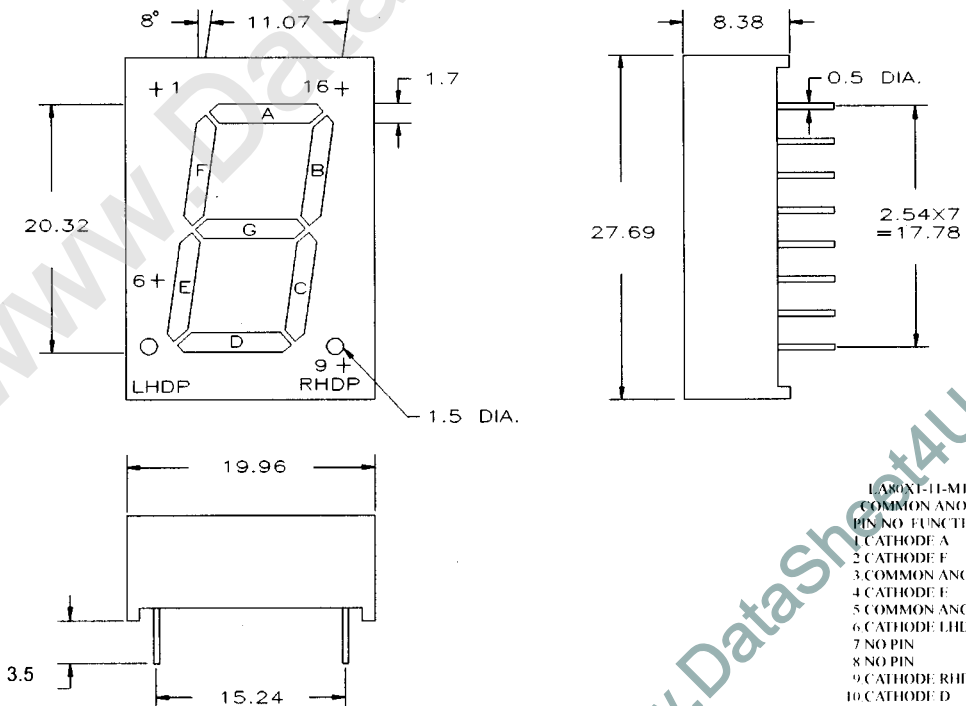
Absolute Maximum Ratings at T_A=25°C

REVERSE VOLTAGE PER LED CHIP (<100μ A)	4.0V
D.C. FORWARD CURRENT PER LED CHIP	30 mA
PULSE CURRENT (1/10 DUTY CYCLE, 0.1 ms PULSE WIDTH) PER LED CHIP	100 mA
OPERATING TEMPERATURE RANGE	-25°C TO +85°C
STORAGE TEMPERATURE RANGE	-25°C TO +100°C
LEAD SOLDERING TEMP. (1.6mm FROM SEATING PLANE)	260°C FOR 3 SEC.

Electrical/optical characteristics at T_A=25°C

PART NUMBER	LED CHIP	FACE COLOR	PEAK WAVELENGTH @20mA(nm)	FORWARD VOLTAGE @20mA(V)		LUMINOUS INTENSITY @10(mcd)	
				TYP.	MAX.	MIN.	TYP.
LA8071-11-M1EWRW	GaAlAs ON GaAs	RED	660	1.7	2.0	5.3	8.9

Package Dimensions And Pin Function



1. ALL DIMENSIONS ARE IN mm, TOLERANCE IS ±0.25mm UNLESS OTHERWISE NOTED.

2. THE SLOPE ANGLE OF ANY PIN MAY BE ±5.0° MAX.