

STK-430 SERIES

thick film-IC

2-CHANNEL 5 to 28 Wmin AF POWER AMP.

STK-433E (5 W) STK-435E (7 W) STK-436E (10 W) STK-437E (12 W) STK-439E (16 W) STK-441E (24 W) STK-443E (28 W)

General Description

STK-430 series is, as a small and medium output IC, well suited for the main amplifier of general home stereo. The single-end type with two channels incorporated makes the mounting easy and the standardization with the same pin arrangement up to 5 W to 28 W brings about a higher cost performance.

Features

- © IMST, 2 Channels by 1 Power Supply.
- Direct-coupling emitter feedback type at all stages.
- One power source and small pop noise.

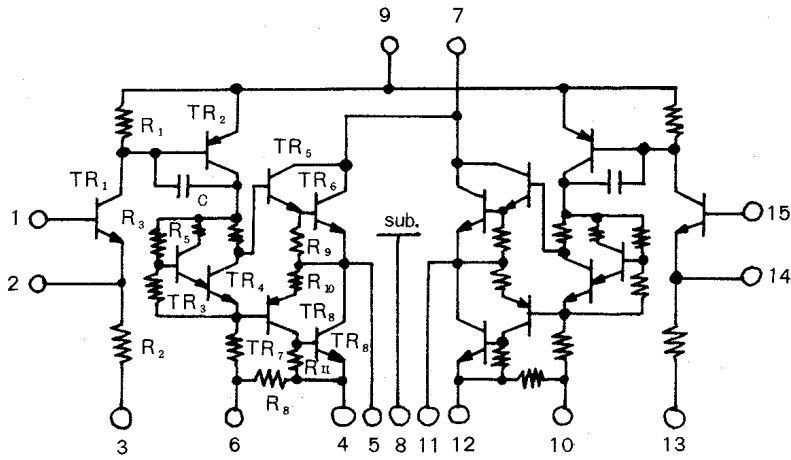
ABSOLUTE MAXIMUM RATINGS at Ta = 25°C

		STK -433E	-435E	-436E	-437E	-439E	-443E	-441E	Unit
Maximum Supply Voltage	V _{CC} max	32	39	50	50	56	63	70	V
Operating Case Temperature	T _C max				90				°C
Storage Temperature	T _{stg}				-30 ~ +100				°C
Allowable Load Shorting Time (In appointed condition)	t _s				2				sec

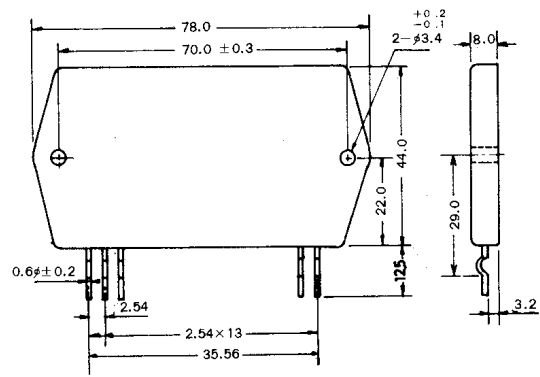
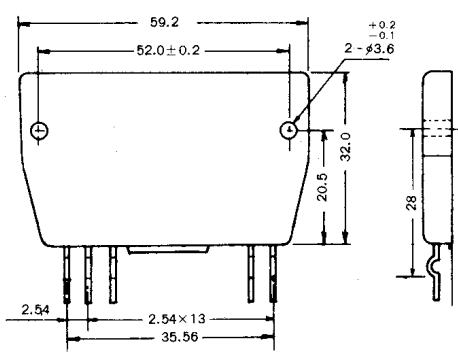
ELECTRICAL CHARACTERISTICS at Ta = 25°C

		STK -433E	-435E	-436E	-437E	-439E	-441E	-443E	Unit
Recommended Supply Voltage (R _L =4 ohm)	V _{CC}	20	24	27	30	34	39	44	V
Quiescent Current	I _{cco} (typ)				60				mA
	I _{cco} (max)				120				mA
Output Power (f = 40Hz to 15kHz)									
(THD<1% R _L = 4 ohm)	P _o (R _L = 4 ohm)	5	7	10	12	16	24	28	W
Total Harmonic Distortion (P _o = 1W, f=1kHz, R _L = 4 ohm)	THD				0.3				%
Inter Modulation Distortion (P _o = 1W, f = 70Hz: 7kHz = 4:1)	IMD (typ)								
	R _L = 4 ohm (typ)	0.5	0.5	0.5	0.2	0.2	0.2	0.2	%
Input Impedance	R _i (typ)				120				k ohm
Open Loop Gain	G _o (typ)				82				dB
Closed Loop Gain	G _o (typ)				40				dB
Frequency Response	f _L f _H				10 ~ 100k				Hz
Output Noise	V _{NO} (typ)				0.4				mV

EQUIVALENT CIRCUIT



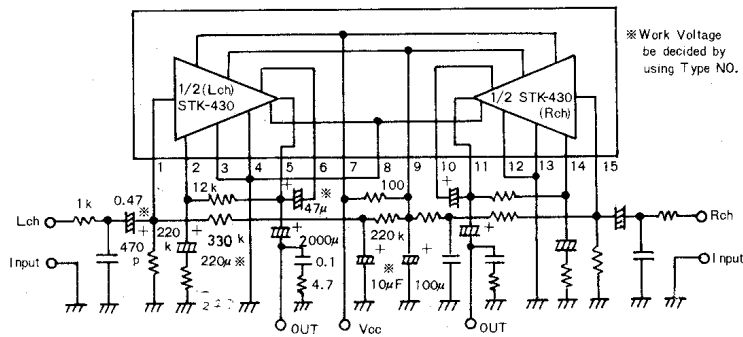
PACKAGE DIMENSION (UNIT: mm)



STK-433E STK-435E STK-436E

STK-437E STK-439E STK-441E STK-443E

MEASURING CIRCUIT



PRINTED PATTERN DESIGN (Bottom View), MEASURING CIRCUIT

