



STM6717/6718/6719/6720 STM6777/6778/6779/6780

Dual/triple ultra-low voltage supervisors
with push-button reset (with delay option)

Features

- Primary supply (V_{CC1}) monitor. Fixed (factory-programmed) reset thresholds: 4.63V to 1.58V
- Secondary supply (V_{CC2}) monitor (STM6717/18/19/20/77/78).
- Fixed (factory-programmed) reset thresholds: 3.08V to 0.79V
- Tertiary supply monitor (using externally adjustable $rstin$):
- 0.626V internal reference
- \overline{RST} outputs (push-pull or open drain); state guaranteed IF V_{CC1} OR $V_{CC2} \geq 0.8V$
- Reset delay time (t_{rec}) on power-up: 210ms(typ)
- Manual reset input (\overline{MR})
- Optional delayed manual reset input (MRC) with external capacitor (STM6777/78/79/80)
- Low supply current - 11 μ A (typ), $V_{CC1} = V_{CC2} = 3.6V$
- Operating temperature: $-40^{\circ}C$ to $85^{\circ}C$ (industrial grade)

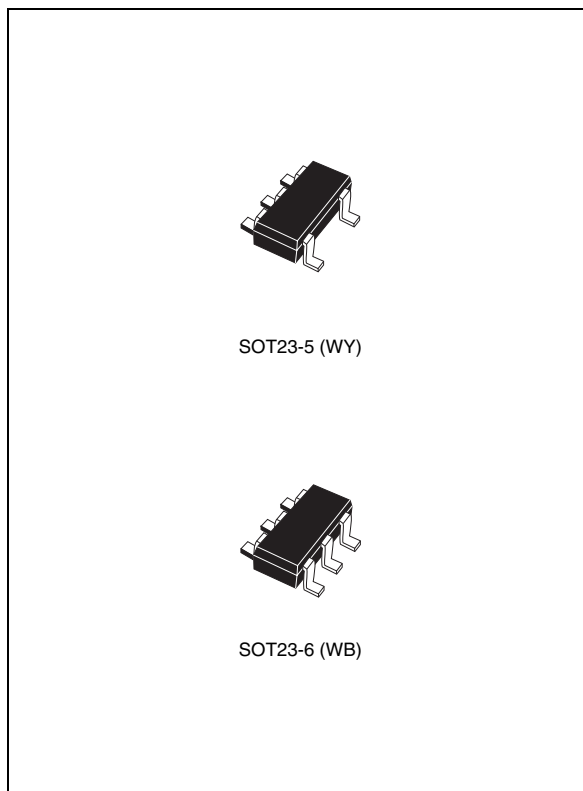


Table 1. Device options

Part number	Monitored voltages			Manual reset input (\overline{MR})	Delayed \overline{MR} pin (MRC)	Reset output (\overline{RST})		Package
	V_{CC1}	V_{CC2}	RSTIN			Active-low (push-pull)	Active-low (open drain)	
STM6717	✓	✓		✓			✓	WY
STM6718	✓	✓		✓		✓		WY
STM6719	✓	✓	✓	✓			✓	WB
STM6720	✓	✓	✓	✓		✓		WB
STM6777	✓	✓		✓	✓		✓	WB
STM6778	✓	✓		✓	✓	✓		WB
STM6779	✓		✓	✓	✓		✓	WB
STM6780	✓		✓	✓	✓	✓		WB

Contents

Summary description 5

 Pin Descriptions 7

 Active-Low, Push-pull Reset Output (RST) - STM6718/20/78/80 7

 Active-Low, Open Drain Reset Output (RST) - STM6717/19/77/79. 7

 Push-Button Reset Input (MR) 7

 Manual Reset Delay Input (MRC) - STM6777/78/79/80) 8

 Primary Supply Voltage Monitoring Input (V_{CC1}) 8

 Secondary Supply Voltage Monitoring Input (V_{CC2}) 8

 Adjustable Reset Comparator Input (RSTIN; STM6719/20/79/80) 8

Operation 10

 Applications Information 10

Typical operating characteristics 11

Maximum rating. 17

DC and AC parameters 18

Package mechanical data. 22

Part numbering 25

Revision history 28

List of tables

Table 1.	Device options	1
Table 2.	Signal names	6
Table 3.	Pin functions	8
Table 4.	Absolute maximum ratings	17
Table 5.	Operating and AC measurement conditions	18
Table 6.	DC and AC characteristics	19
Table 7.	t_{MLMH} Minimum pulse width	21
Table 8.	SOT23-5 – 5-lead small outline transistor package mechanical data	23
Table 9.	SOT23-6 – 6-lead small outline transistor package mechanical data	24
Table 10.	Ordering information scheme	25
Table 11.	Marking description	26
Table 12.	Document revision history	28

List of figures

Figure 1.	Logic diagram (STM6717/18)	6
Figure 2.	Logic diagram (STM6777/78)	6
Figure 3.	Logic diagram (STM6719/20)	6
Figure 4.	Logic diagram (STM6779/80)	6
Figure 5.	STM6717/18 SOT23-5 connections	7
Figure 6.	STM6777/78 SOT23-6 connections	7
Figure 7.	STM6719/20 SOT23-6 connections	7
Figure 8.	STM6779/80 SOT23-6 connections	7
Figure 9.	Block diagram	9
Figure 10.	Hardware hookup	9
Figure 11.	STM67xx interface to processor with bi-directional reset pins	10
Figure 12.	Ensuring RST valid to $V_{CC} = 0$ (active-low, push-pull outputs)	10
Figure 13.	Supply current vs. temperature ($V_{CC1} = 5.5V$; $V_{CC2} = 3.6V$)	11
Figure 14.	Supply current vs. temperature ($V_{CC1} = 3.6V$; $V_{CC2} = 2.75V$)	11
Figure 15.	Supply current vs. temperature ($V_{CC1} = 3.0V$; $V_{CC2} = 2.0V$)	12
Figure 16.	Supply current vs. temperature ($V_{CC1} = 2.0V$; $V_{CC2} = 1.0V$)	12
Figure 17.	Normalized V_{CC} reset time-out period vs. temperature	13
Figure 18.	Maximum V_{CC} transient duration vs. reset threshold overdrive	13
Figure 19.	Normalized V_{RST1} threshold vs. temperature	14
Figure 20.	Normalized V_{RST2} threshold vs. temperature	14
Figure 21.	Reset input threshold vs. temperature	15
Figure 22.	V_{CC1} -to-reset delay vs. temperature	15
Figure 23.	Reset input-to-reset output delay vs. temperature	16
Figure 24.	MR-to-reset output delay vs. temperature ($V_{CC1} = 3.6V$)	16
Figure 25.	AC Testing Input/Output Waveforms	18
Figure 26.	MR timing waveform (STM6717/18/19/20)	18
Figure 27.	MR timing waveform (STM6777/78/79/80)	18
Figure 28.	SOT23-5 – 5-lead small outline transistor package mechanical drawing	22
Figure 29.	SOT23-6 – 6-lead small outline transistor package mechanical drawing	23

Summary description

The STM6717/18/19/20 and STM6777/78/79/80 Supervisors are a family of low voltage/low supply current processor (Micro or DSP) Supervisors, designed to monitor two (or three) system power supply voltages. They are targeted at applications such as Set-Top Boxes (STBs), portable, battery-powered systems, networking, and communication systems.

All device options have a push-button-type manual reset input ($\overline{\text{MR}}$). The STM6777/78/79/80 also includes an option which enables the user to delay the start of the Manual Reset process from 6 μs (MRC pin left open) or more with external capacitor. The delay is implemented by connecting the appropriately sized capacitor between the MRC pin and V_{SS} (typical 4s delay with a 3.3 μF capacitor, see [Table 7 on page 21](#)).

Two of the three supplies monitored (V_{CC1} and V_{CC2}) have fixed (customer-selectable, factory-trimmed) thresholds (V_{RST1} and V_{RST2}). The third voltage is monitored using an externally adjustable RSTIN threshold (0.626V internal reference).

If any of the three monitored voltages drop below its factory-trimmed or adjustable thresholds, or if $\overline{\text{MR}}$ is asserted to logic low, a $\overline{\text{RST}}$ is asserted (driven low). Once asserted, $\overline{\text{RST}}$ is maintained at Low for a minimum delay period (t_{rec}) after ALL supplies rise above their respective thresholds and $\overline{\text{MR}}$ returns to High. These devices are guaranteed to be in the correct reset output logic state when V_{CC1} and/or V_{CC2} is greater than 0.8V.

These devices are available in a standard 5-pin or 6-pin SOT23 packages (see [Table 1 on page 1](#)).

Figure 1. Logic diagram (STM6717/18)

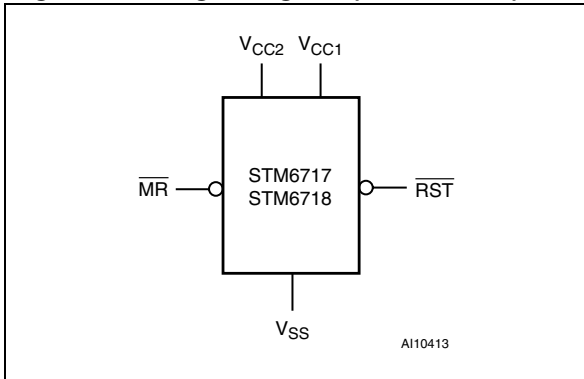


Figure 2. Logic diagram (STM6777/78)

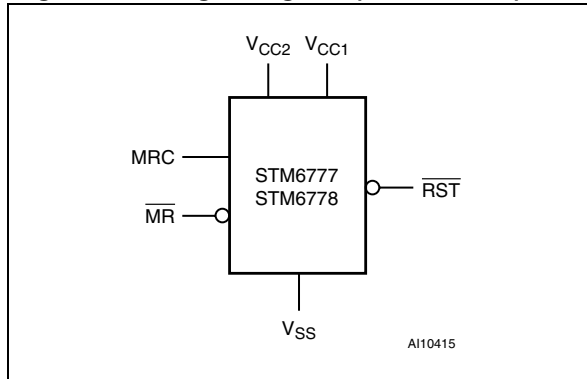


Figure 3. Logic diagram (STM6719/20)

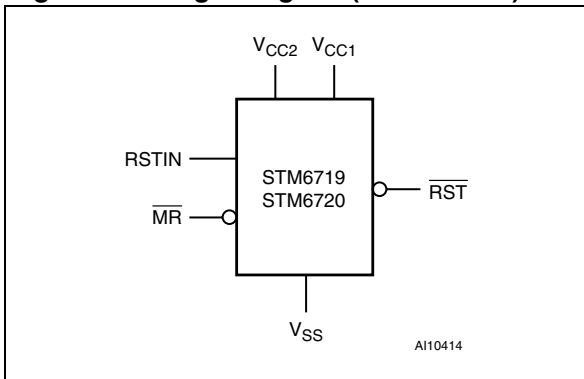


Figure 4. Logic diagram (STM6779/80)

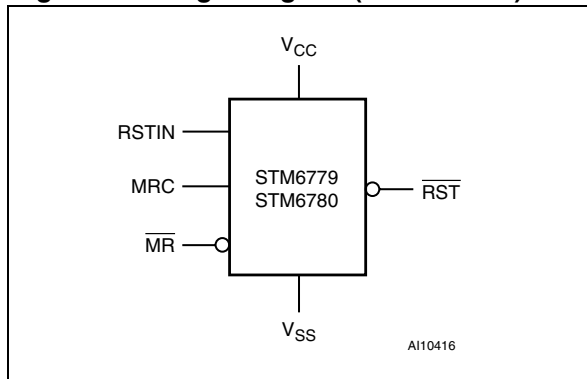


Table 2. Signal names

MR	Push-button reset input
MRC	Manual reset delay input
RST	Active-low reset output
V _{CC1}	Primary supply voltage input
V _{CC2}	Secondary supply voltage input
RSTIN	Adjustable reset comparator input
V _{SS}	Ground

Figure 5. STM6717/18 SOT23-5 connections

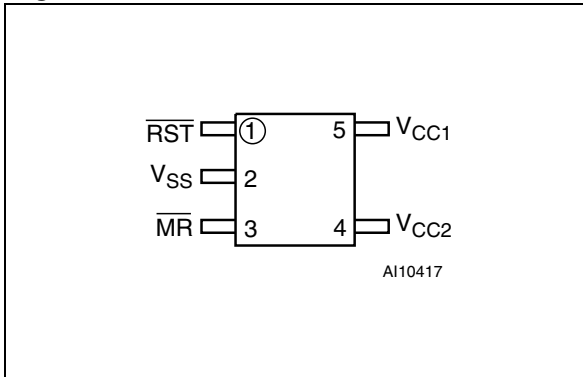


Figure 6. STM6777/78 SOT23-6 connections

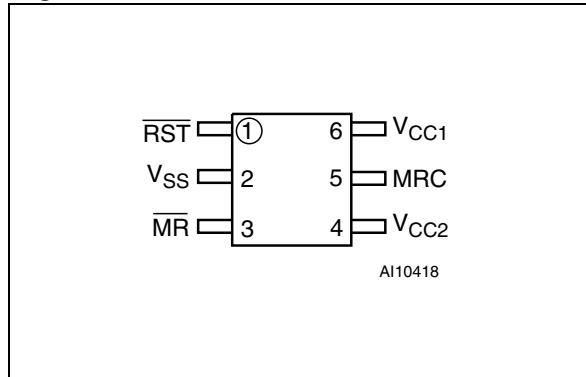


Figure 7. STM6719/20 SOT23-6 connections

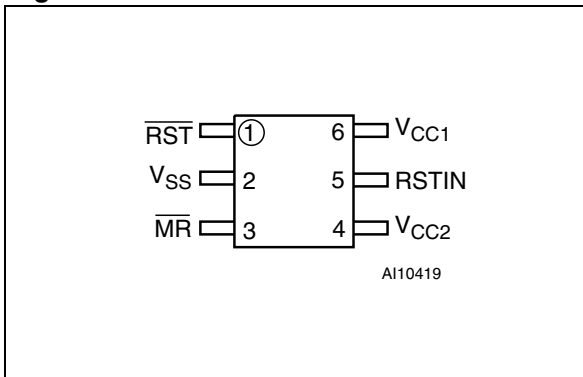
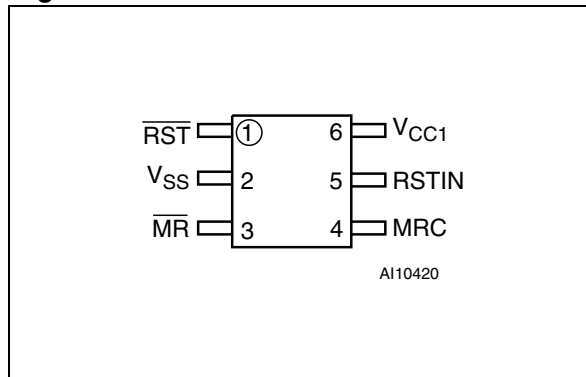


Figure 8. STM6779/80 SOT23-6 connections



Pin Descriptions

Active-Low, Push-pull Reset Output ($\overline{\text{RST}}$) - STM6718/20/78/80

The $\overline{\text{RST}}$ pin is driven low and stays low whenever V_{CC1} or V_{CC2} or RSTIN falls below its factory-trimmed or adjustable reset threshold or when MR goes to logic low. It remains low for t_{rec} after ALL supply voltages being monitored rise above their reset thresholds and MR goes from low to high. (Push-pull outputs are referenced to V_{CC1} .)

Active-Low, Open Drain Reset Output ($\overline{\text{RST}}$) - STM6717/19/77/79

The $\overline{\text{RST}}$ pin is driven low and stays low whenever V_{CC1} or V_{CC2} or RSTIN falls below its factory-trimmed or adjustable reset threshold or when MR goes to logic low. It remains low for t_{rec} after ALL supply voltages being monitored rise above their reset thresholds and MR goes from low to high. Connect an external pull-up resistor to V_{CC1} . A 10k Ω pull-up resistor should be sufficient for most applications.

Push-Button Reset Input ($\overline{\text{MR}}$)

When $\overline{\text{MR}}$ goes low the $\overline{\text{RST}}$ output is driven low. $\overline{\text{RST}}$ remains low as long as $\overline{\text{MR}}$ is low and for t_{rec} after $\overline{\text{MR}}$ returns to high. This active-low input has an internal 50k Ω pull-up resistor to

V_{CC1} . It can be driven from a TTL or CMOS logic line, or with open drain/collector outputs, or connected to V_{SS} through a switch. If unused, leave this pin open or connect it to V_{CC1} .

Connect a normally open momentary switch from \overline{MR} to V_{SS} ; external debounce circuitry is not required. (If \overline{MR} is driven from long cables or if the device is used in noisy environments, connecting a 0.1 μ F capacitor from \overline{MR} to V_{SS} provides additional noise immunity.

Manual Reset Delay Input (MRC) - STM6777/78/79/80)

This pin is either left open or connected to V_{SS} via a capacitor. By selecting the appropriate capacitor, the manual reset process, initiated by pressing the push-button Manual Reset Input, can be delayed by any value from 6 μ s or more (see [Table 7 on page 21](#)).

Primary Supply Voltage Monitoring Input (V_{CC1})

It also is the input for the primary reset threshold monitor. Available fixed (customer-selectable, factory-programmed) reset thresholds include 4.63V to 1.58V.

Secondary Supply Voltage Monitoring Input (V_{CC2})

This function is available on the STM6717/18/19/20/77/78. Fixed (customer-selectable, factory-programmed) reset thresholds include 3.08V to 0.79V.

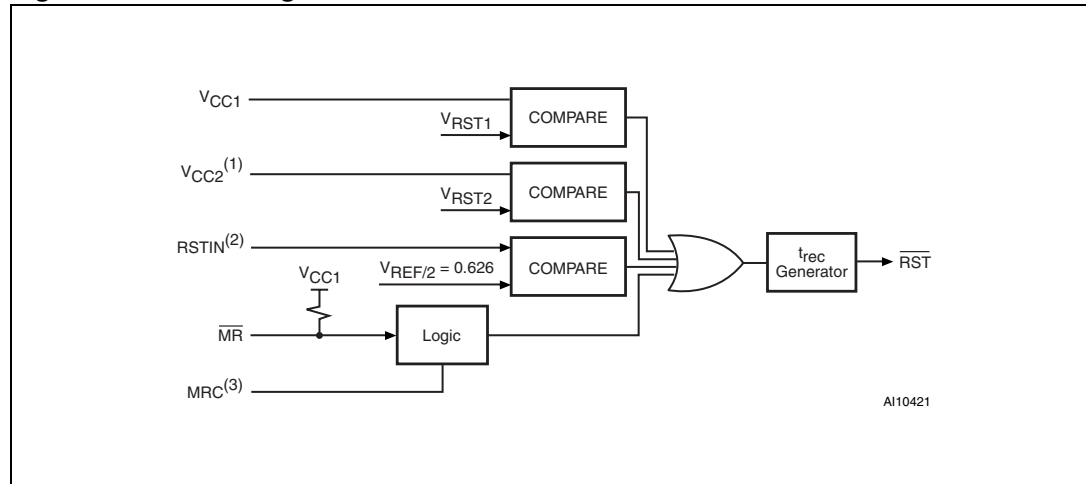
Adjustable Reset Comparator Input (RSTIN; STM6719/20/79/80)

This is a high impedance input. \overline{RST} is driven low when the voltage at the RSTIN pin falls below 0.626V (internal reference voltage at this comparator). The monitored voltage reset threshold is set with an external resistor-divider network.

Table 3. Pin functions

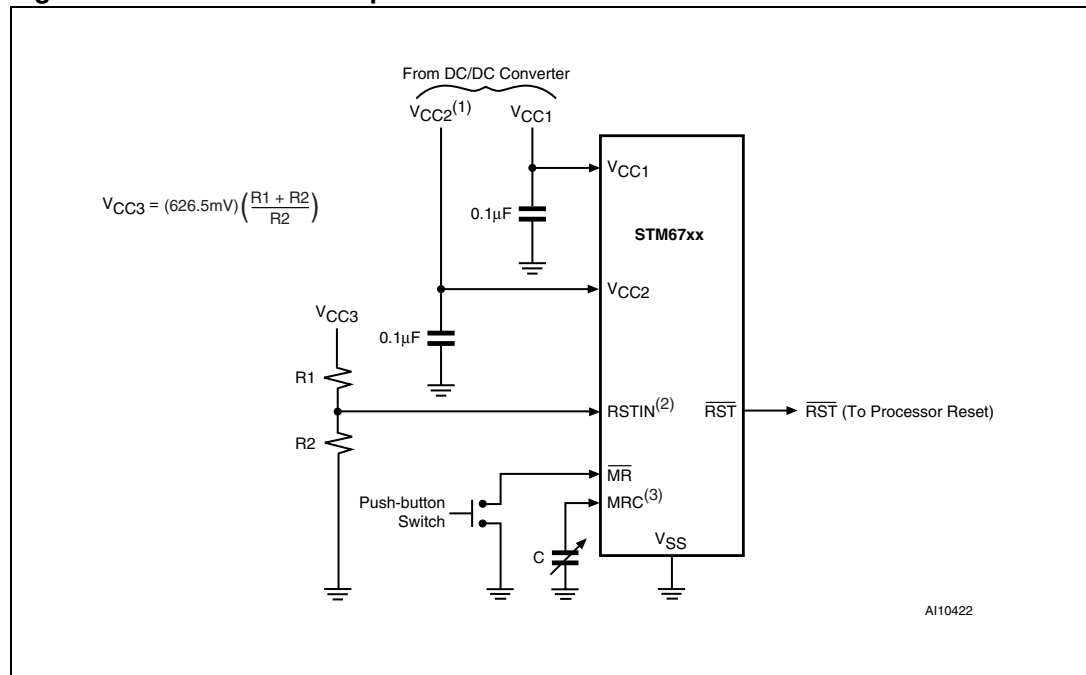
Pin				Name	Function
STM6717 STM6718	STM6719 STM6720	STM6777 STM6778	STM6779 STM6780		
1	1	1	1	RST	Active-low reset output
3	3	3	3	MR	Push-button reset input
–	–	5	4	MRC	Manual reset delay input
5	6	6	6	V_{CC1}	Primary supply voltage input
4	4	4	–	V_{CC2}	Secondary supply voltage input
–	5	–	5	RSTIN	Adjustable reset comparator input
2	2	2	2	V_{SS}	Ground

Figure 9. Block diagram



1. V_{CC2} Input is available on STM6717/18/19/20/77/78.
2. RSTIN available only on STM6719/20/79/80.
3. MRC available only on STM6777/78/79/80.

Figure 10. Hardware hookup



1. V_{CC2} is available only on STM6717/18/19/20/77/78.
2. RSTIN available only on STM6719/20/79/80.
3. MRC available only on STM6777/78/79/80.

Operation

Applications Information

1. Interfacing to Processors with Bi-directional Reset Pins

Most processors with bi-directional reset pins can interface directly to the open drain \overline{RST} outputs (STM6717/19/77/79). Systems simultaneously requiring a push-pull \overline{RST} output and a bi-directional reset interface can be in logic contention. To prevent this contention, connect a 4.7k Ω resistor between \overline{RST} and the processor's Reset I/O as shown in [Figure 11](#).

2. Ensuring a Valid \overline{RST} Output Down to $V_{CC} = 0V$

The STM67xx Supervisors are guaranteed to be in the correct \overline{RST} output logic state when V_{CC1} and/or V_{CC2} is greater than 0.8V. In applications which require valid reset levels down to $V_{CC} = 0$, a pull-down resistor to active-low outputs (push-pull only, see [Figure 12](#)) will ensure that the reset line is valid while the reset output can no longer sink or source current. This scheme does NOT work with the open drain outputs of the STM6717/19/77/79.

The resistor value used is not critical, but it must be large enough not to load the reset output when V_{CC} is above the reset threshold. For most applications, 100k Ω is adequate.

Figure 11. STM67xx interface to processor with bi-directional reset pins

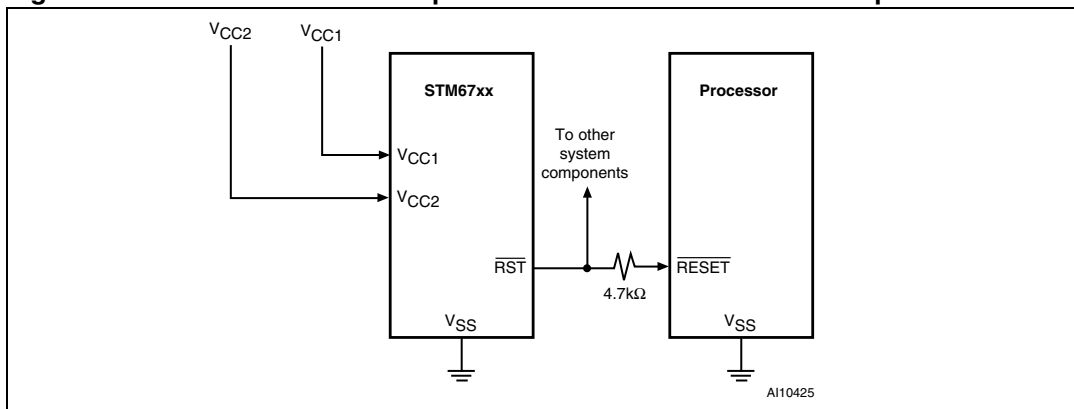
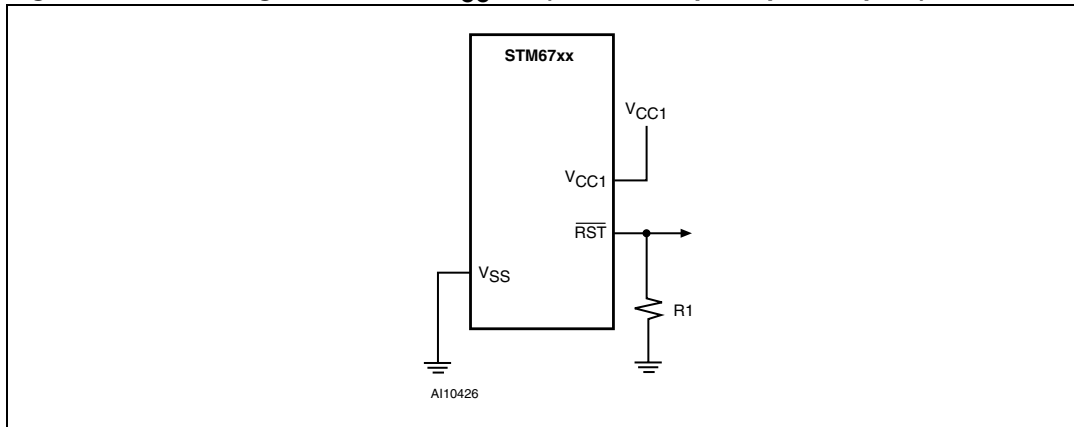


Figure 12. Ensuring \overline{RST} valid to $V_{CC} = 0$ (active-low, push-pull outputs)



Typical operating characteristics

Note: Typical values are at $T_A = 25^\circ\text{C}$ unless otherwise noted.

Figure 13. Supply current vs. temperature ($V_{CC1} = 5.5\text{V}$; $V_{CC2} = 3.6\text{V}$)

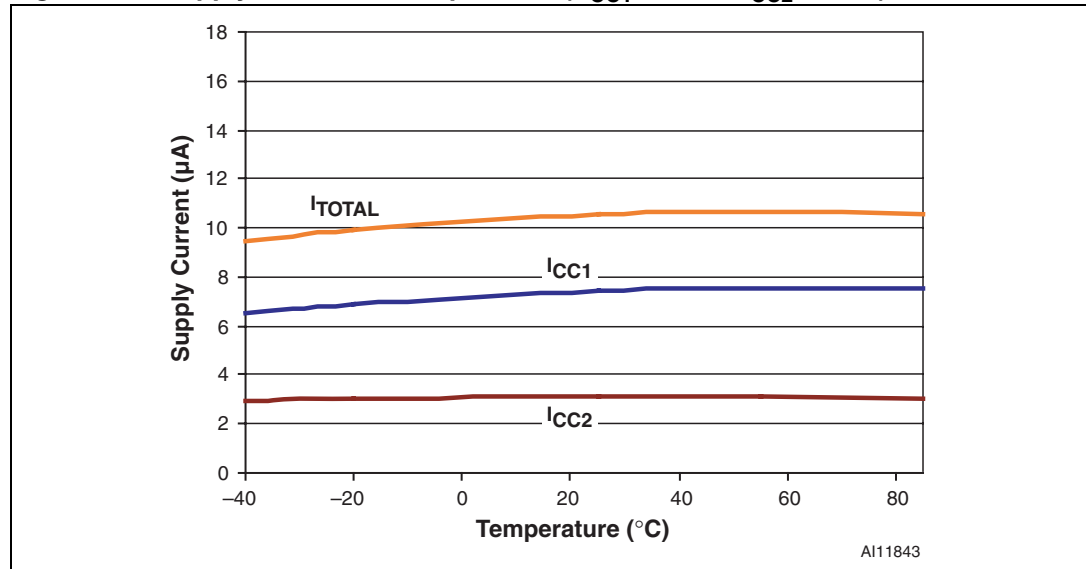


Figure 14. Supply current vs. temperature ($V_{CC1} = 3.6\text{V}$; $V_{CC2} = 2.75\text{V}$)

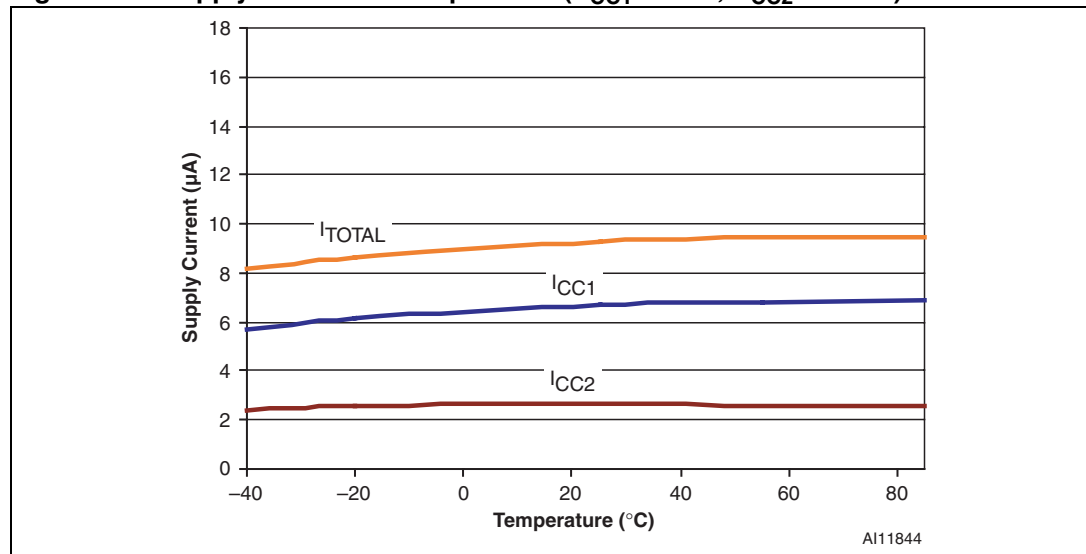


Figure 15. Supply current vs. temperature ($V_{CC1} = 3.0V$; $V_{CC2} = 2.0V$)

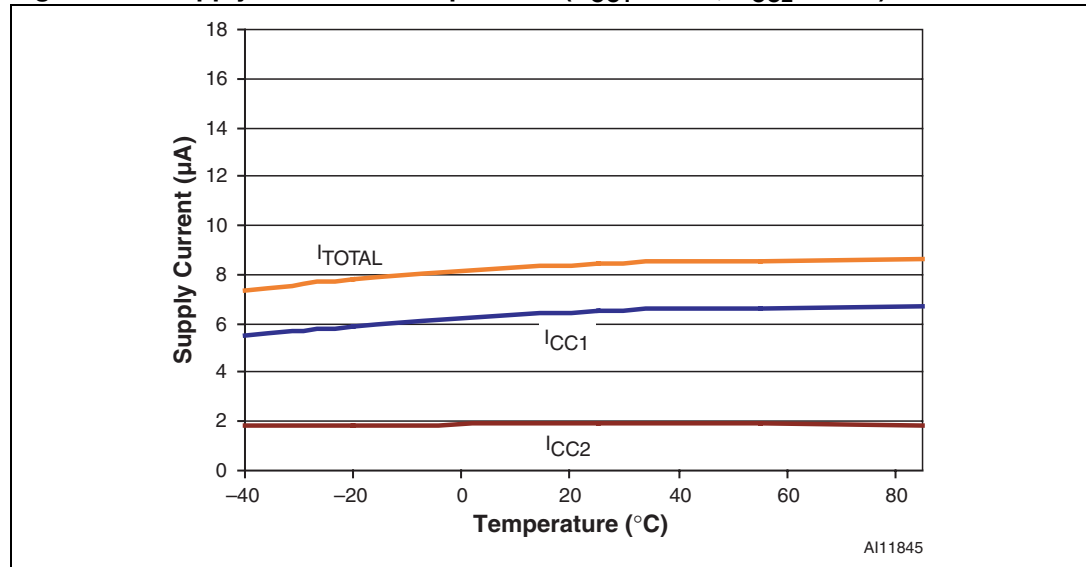


Figure 16. Supply current vs. temperature ($V_{CC1} = 2.0V$; $V_{CC2} = 1.0V$)

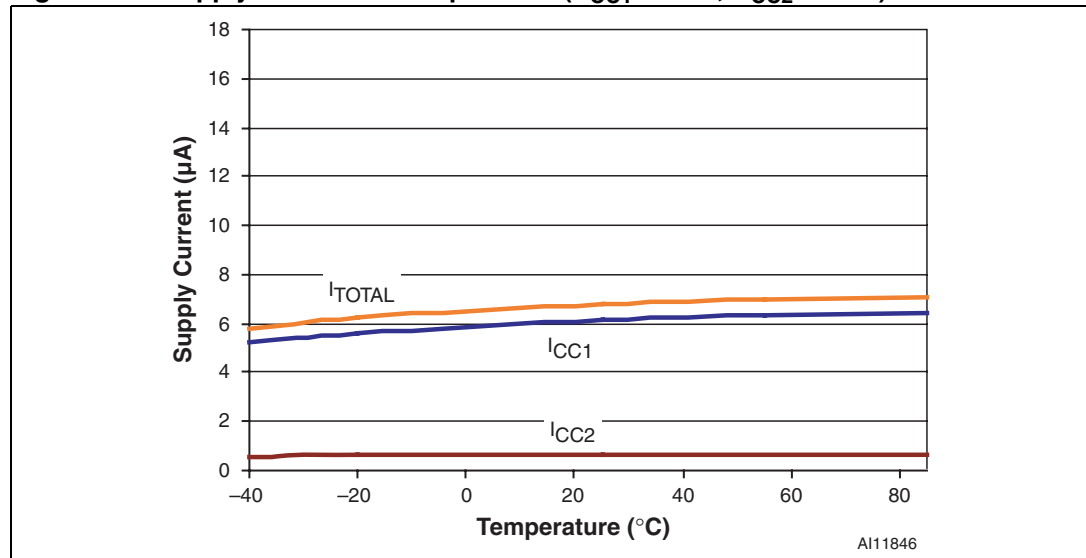


Figure 17. Normalized V_{CC} reset time-out period vs. temperature

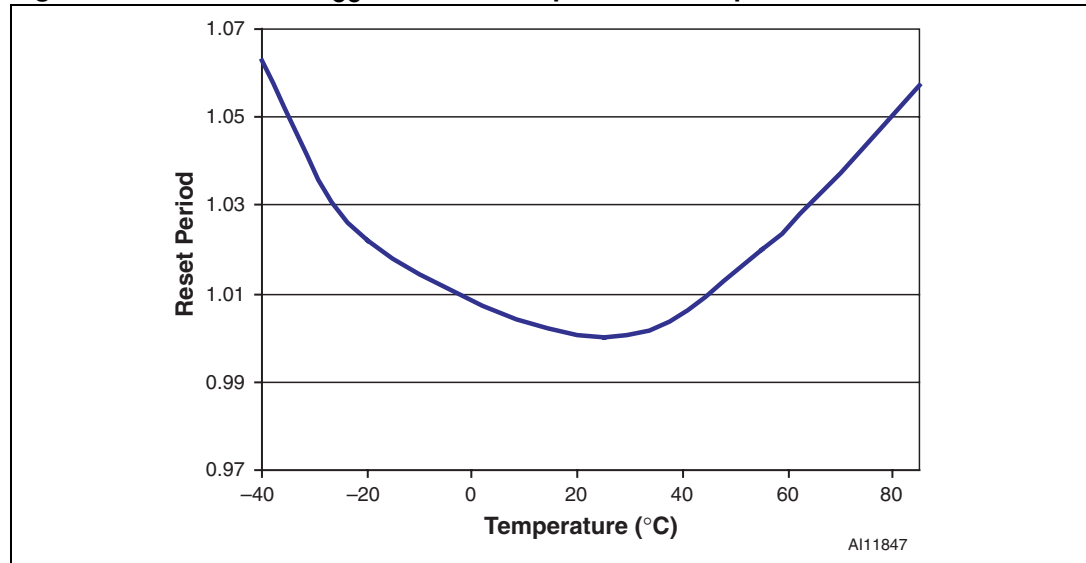


Figure 18. Maximum V_{CC} transient duration vs. reset threshold overdrive

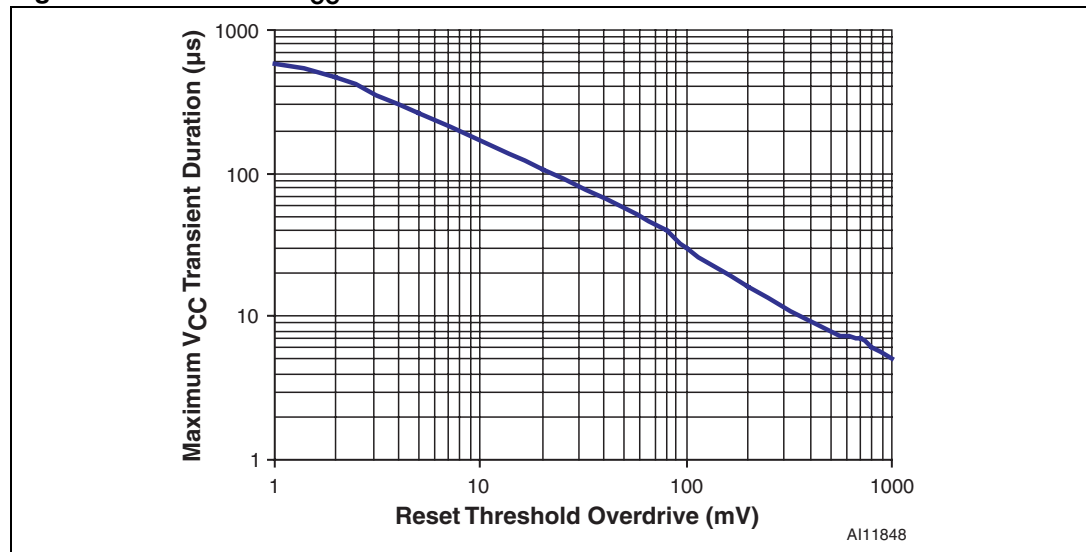


Figure 19. Normalized V_{RST1} threshold vs. temperature

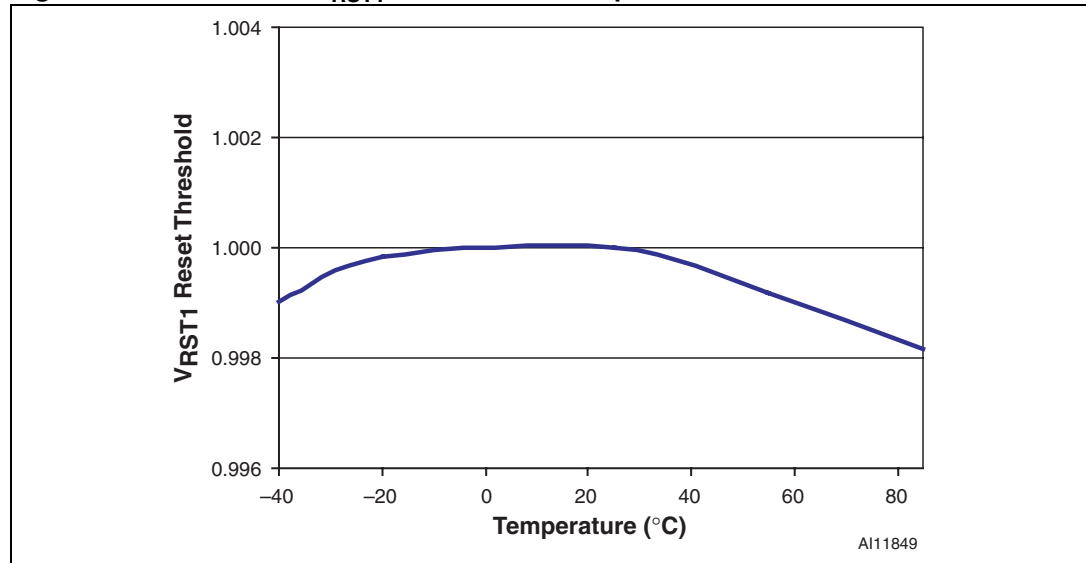


Figure 20. Normalized V_{RST2} threshold vs. temperature

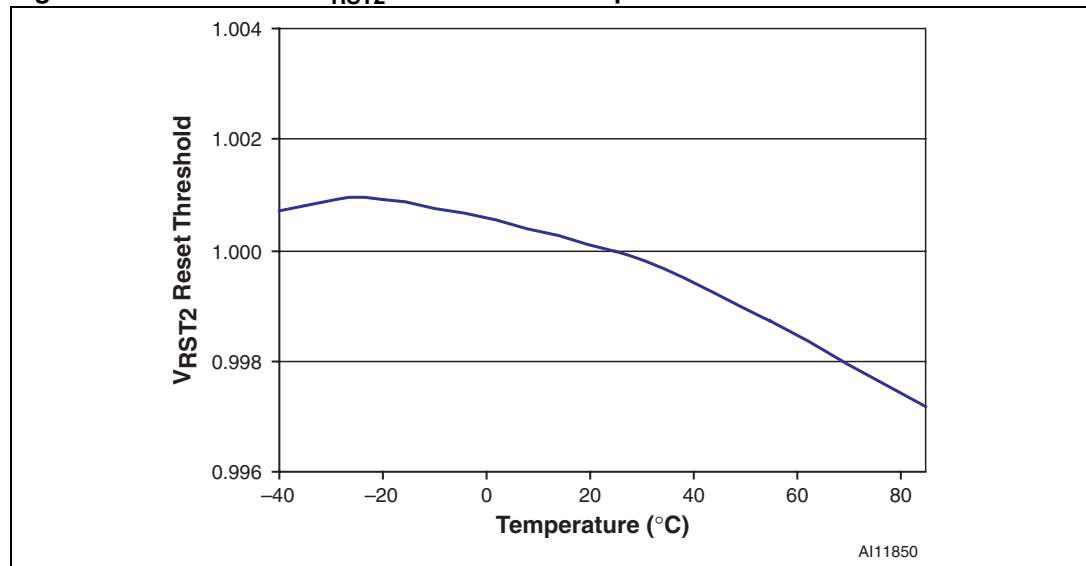


Figure 21. Reset input threshold vs. temperature

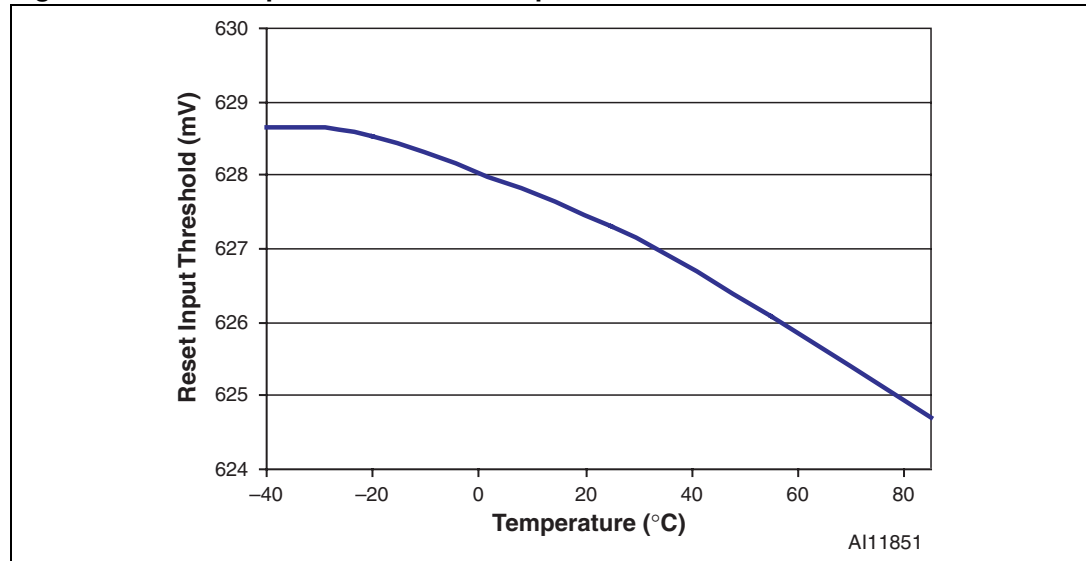


Figure 22. V_{CC1}-to-reset delay vs. temperature

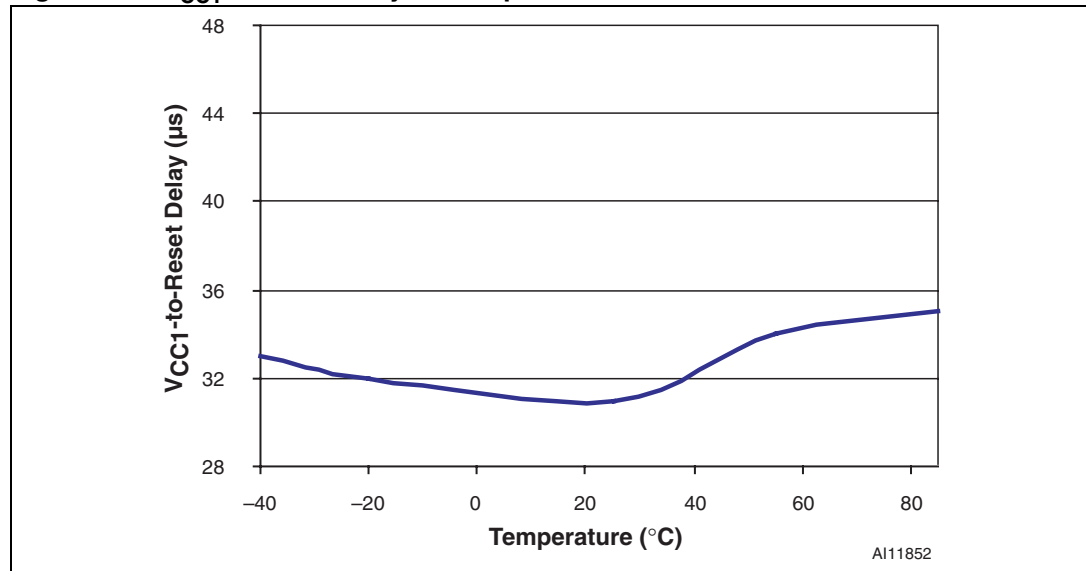


Figure 23. Reset input-to-reset output delay vs. temperature

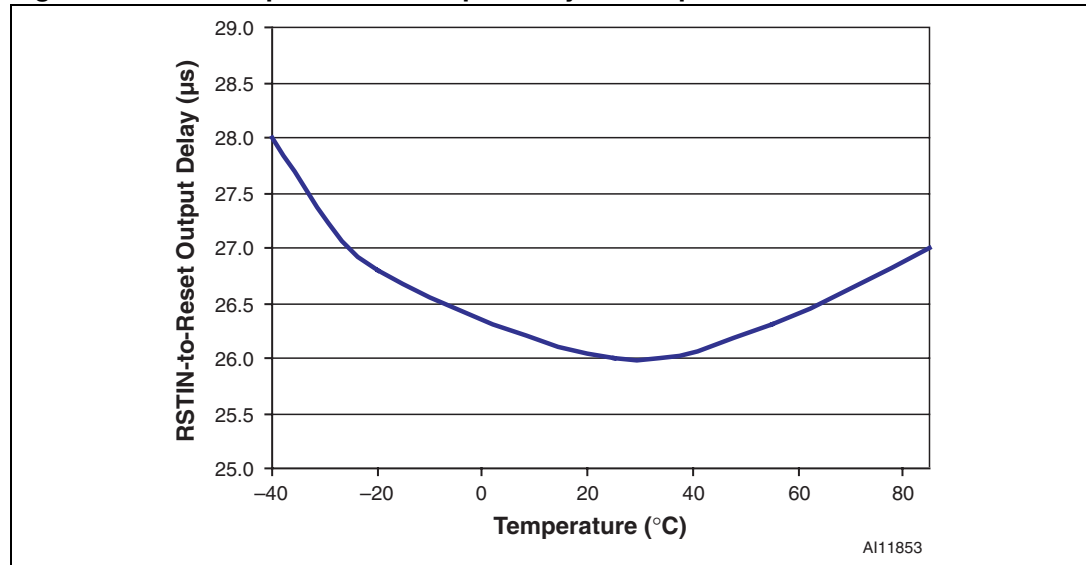
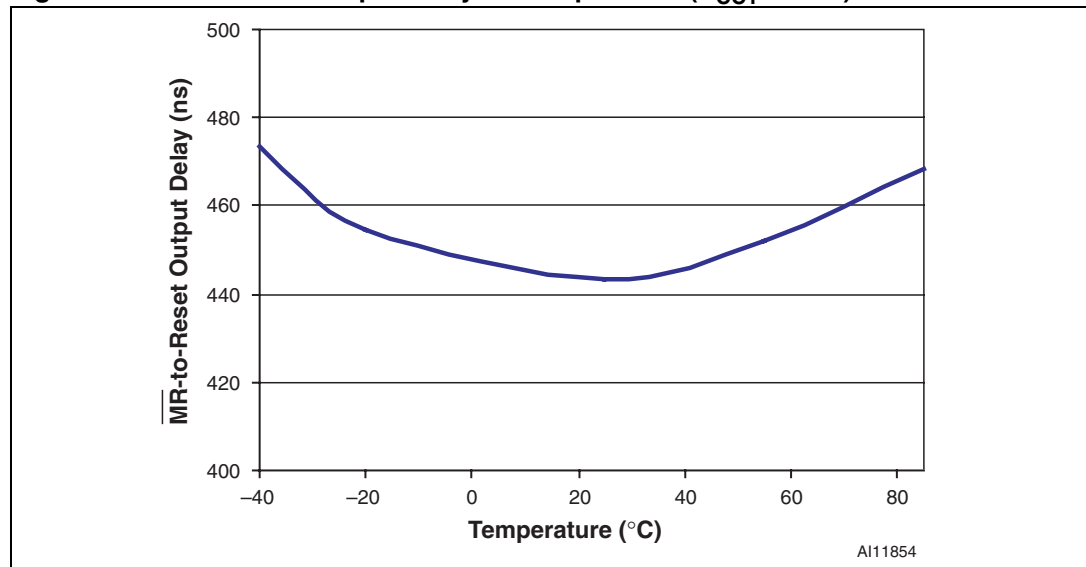


Figure 24. $\overline{\text{MR}}$ -to-reset output delay vs. temperature ($V_{CC1} = 3.6V$)



Maximum rating

Stressing the device above the rating listed in the Absolute Maximum Ratings” table may cause permanent damage to the device. These are stress ratings only and operation of the device at these or any other conditions above those indicated in the Operating sections of this specification is not implied. Exposure to Absolute Maximum Rating conditions for extended periods may affect device reliability. Refer also to the STMicroelectronics SURE Program and other relevant quality documents.

Table 4. Absolute maximum ratings

Symbol	Parameter	Value	Unit
T_{STG}	Storage temperature (V_{CC} Off)	-55 to 150	°C
$T_{SLD}^{(1)}$	Lead solder temperature for 10 seconds	260	°C
V_{IO}	Input or output voltage	-0.3 to $V_{CC1} + 0.3$	V
		-0.3 to $V_{CC2} + 0.3$	V
V_{CC1}, V_{CC2}	Supply voltage	-0.3 to 7.0	V
I_{IO}	Input or output current (all pins)	20	mA
P_D	Power dissipation	SOT23-5	654
		SOT23-6	675

Note: Reflow at peak temperature of 255°C to 260°C for < 30 seconds (total thermal budget not to exceed 180°C for between 90 to 150 seconds).

DC and AC parameters

This section summarizes the operating measurement conditions, and the DC and AC characteristics of the device. The parameters in the DC and AC characteristics Tables that follow, are derived from tests performed under the Measurement Conditions summarized in [Table 5](#), Operating and AC Measurement Conditions. Designers should check that the operating conditions in their circuit match the operating conditions when relying on the quoted parameters.

Table 5. Operating and AC measurement conditions

Parameter	STM67xx	Unit
V _{CC} supply voltage	0.8 to 5.5	V
Ambient operating temperature (T _A)	-40 to 85	°C
Input rise and fall times	≤ 5	ns
Input pulse voltages	0.2 to 0.8V _{CC}	V
Input and output timing ref. voltages	0.3 to 0.7V _{CC}	V

Figure 25. AC Testing Input/Output Waveforms

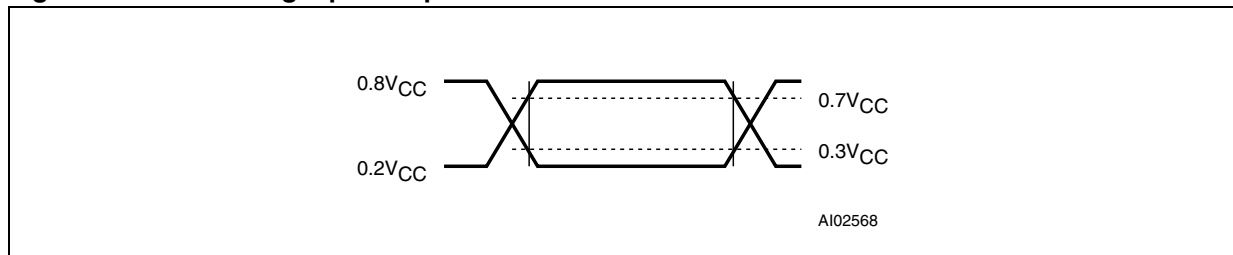


Figure 26. MR timing waveform (STM6717/18/19/20)

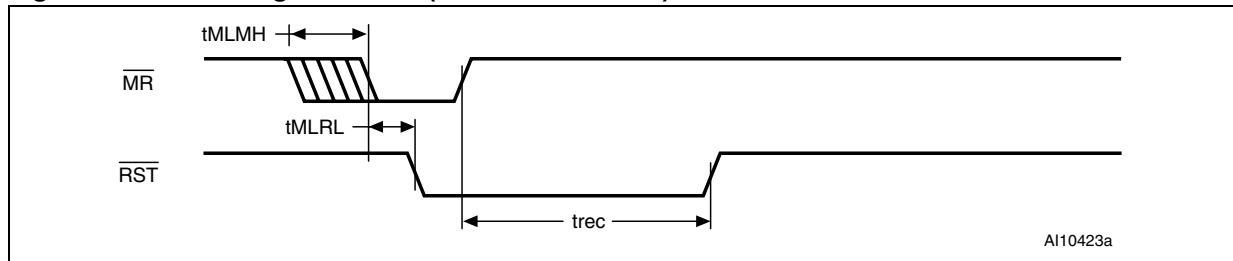
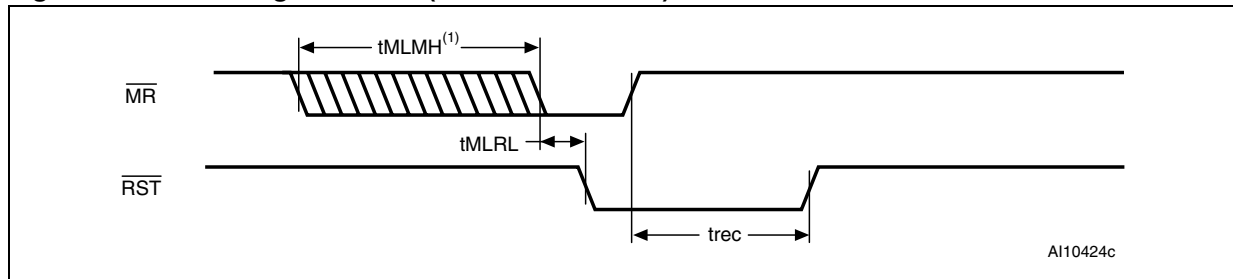


Figure 27. MR timing waveform (STM6777/78/79/80)



1. By connecting a certain capacitor between the MRC pin and V_{SS}, the RST can be delayed from 6μs or more (t_{MLMH}⁽¹⁾, see [Table 7 on page 21](#)).

Table 6. DC and AC characteristics

Sym	Alternative	Description	Test Condition ⁽¹⁾	Min	Typ	Max	Unit
V _{CC}		Operating voltage		0.8		5.5	V
I _{CC1}		V _{CC1} supply current	V _{CC1} < 5.5V, all I/O pins open		12	35	μA
			V _{CC1} < 3.6V, all I/O pins open		8	23	μA
I _{CC2}		V _{CC2} supply current	V _{CC2} < 3.6V, all I/O pins open		3	9	μA
			V _{CC2} < 2.75V, all I/O pins open		2.5	7	μA
I _{LI} ⁽²⁾		Input leakage current	0V = V _{IN} = V _{CC}	-1		+1	μA
I _{LO}		Open drain $\overline{\text{RST}}$ output leakage current	V _{CC1} > V _{RST1} , V _{CC2} > V _{RST2} ; $\overline{\text{RST}}$ not asserted			0.5	μA
V _{OL}		Output low voltage ($\overline{\text{RST}}$; push-pull or open drain)	V _{CC1} or V _{CC2} ≥ 0.8V, I _{SINK} = 1μA, $\overline{\text{RST}}$ asserted			0.3	V
			V _{CC1} or V _{CC2} ≥ 1.0V, I _{SINK} = 50μA, $\overline{\text{RST}}$ asserted			0.3	V
			V _{CC1} or V _{CC2} ≥ 1.2V, I _{SINK} = 100μA, $\overline{\text{RST}}$ asserted			0.3	V
			V _{CC1} or V _{CC2} ≥ 2.7V, I _{SINK} = 1.2mA, $\overline{\text{RST}}$ asserted			0.3	V
			V _{CC1} or V _{CC2} ≥ 4.5V, I _{SINK} = 3.2mA, $\overline{\text{RST}}$ asserted			0.4	V
V _{OH}		Output high voltage ($\overline{\text{RST}}$; push-pull only)	V _{CC1} ≥ 1.8V, I _{SOURCE} = 200μA, $\overline{\text{RST}}$ not asserted	0.8V _{CC1}			V
			V _{CC1} ≥ 2.7V, I _{SOURCE} = 500μA, $\overline{\text{RST}}$ not asserted	0.8V _{CC1}			V
			V _{CC1} ≥ 4.5V, I _{SOURCE} = 800μA, $\overline{\text{RST}}$ not asserted	0.8V _{CC1}			V
t _R ⁽³⁾		Push-pull RST rise time (STM6718/20/78/80)	Rise time measured from 10% to 90% of V _{CC} ; C _L = 5pF, V _{CC} = 3.3V		5	25	ns
Reset thresholds							
V _{RST} ⁽⁴⁾	V _{TH1}	V _{CC1} reset threshold	L (falling)	4.500	4.625	4.750	V
			M (falling)	4.250	4.375	4.500	V
			T (falling)	3.000	3.075	3.150	V
			S (falling)	2.850	2.925	3.000	V
			R (falling)	2.550	2.625	2.700	V
			Z (falling)	2.250	2.313	2.375	V
			Y (falling)	2.125	2.188	2.250	V
			W (falling)	1.620	1.665	1.710	V
V (falling)	1.530	1.575	1.620	V			

Table 6. DC and AC characteristics (continued)

Sym	Alternative	Description	Test Condition ⁽¹⁾	Min	Typ	Max	Unit
$V_{RST2}^{(4)}$	V_{TH2}	V_{CC2} reset threshold	T (falling)	3.000	3.075	3.150	V
			S (falling)	2.850	2.925	3.000	V
			R (falling)	2.550	2.625	2.700	V
			Z (falling)	2.250	2.313	2.375	V
			Y (falling)	2.125	2.188	2.250	V
			W (falling)	1.620	1.665	1.710	V
			V (falling)	1.530	1.575	1.620	V
			I (falling)	1.350	1.388	1.425	V
			H (falling)	1.275	1.313	1.350	V
			G (falling)	1.080	1.110	1.140	V
			F (falling)	1.020	1.050	1.080	V
			K (falling)	0.895	0.925	0.955	V
			J (falling)	0.845	0.875	0.905	V
			E (falling)	0.810	0.833	0.855	V
D (falling)	0.765	0.788	0.810	V			
V_{HYST}		Reset threshold hysteresis	Referenced to V_{RST} typical		0.5		%
t_{RD}		V_{CC} to \overline{RST} delay	$V_{CC1} = (V_{RST1} + 100mV)$ to $(V_{RST} - 100mV)$		20		μs
			$V_{CC2} = (V_{RST2} + 75mV)$ to $(V_{RST2} - 75mV)$		20		μs
t_{rec}	t_{RP}	\overline{RST} time-out period		140	210	280	ms
Adjustable reset comparator input (STM6719/20/79/80)							
V_{RSTIN}		RSTIN input threshold		611	626.5	642	mV
I_{RSTIN}		RSTIN input current		-25		+25	nA
		RSTIN hysteresis			3		mV
t_{RSTIND}		RSTIN to \overline{RST} output delay	V_{RSTIN} to $(V_{RSTIN} - 30mV)$		22		μs

Table 6. DC and AC characteristics (continued)

Sym	Alternative	Description	Test Condition ⁽¹⁾	Min	Typ	Max	Unit
Manual (push-button) reset input							
V _{IL}		$\overline{\text{MR}}$ input voltage				0.3V _{C1}	V
V _{IH}				0.7V _{CC1}			V
t _{MLMH}	t _{MR}	$\overline{\text{MR}}$ minimum pulse width (STM6717/18/19/20)		1			μs
		$\overline{\text{MR}}$ minimum pulse width (STM6777/78/79/80)	MRC connected via capacitor to V _{SS} ⁽⁵⁾		6		μs
t _{MLRL}	t _{MRD}	$\overline{\text{MR}}$ to $\overline{\text{RST}}$ output delay			200		ns
		$\overline{\text{MR}}$ glitch immunity (STM6717/18/19/20)			100		ns
		$\overline{\text{MR}}$ pull-up resistance		25	50	80	kΩ

- Valid for ambient operating temperature: T_A = -40 to 85°C; V_{CC1} = 0.8 to 5.5V and V_{CC2} = 0.8 to 3.6V (except where noted).
- Input leakage for the MRC pin is not tested.
- Guaranteed by design.
- The leakage current measured on the $\overline{\text{RST}}$ pin is tested with the reset de-asserted (output high impedance).
- Selecting the appropriate external capacitor (preferably less than 100pF) allows systems designers to vary the minimum delay from 6μs (MRC pin left open) or more (see Table 7).

Table 7. t_{MLMH} Minimum pulse width

V _{CC1}	Capacitor value ⁽¹⁾					
	100pF	0.1μF	2.2μF	3.3μF	4.7μF	6.8μF
1.6V	120μs	120ms	2.6s	4.0s	5.6s	8.2s
2.0V	122μs	122ms	2.7s	4.0s	5.8s	8.3s
3.0V	125μs	125ms	2.7s	4.1s	5.9s	8.5s
4.0V	128μs	129ms	2.8s	4.2s	6.0s	8.7s
5.0V	130μs	130ms	2.8s	4.3s	6.1s	8.8s

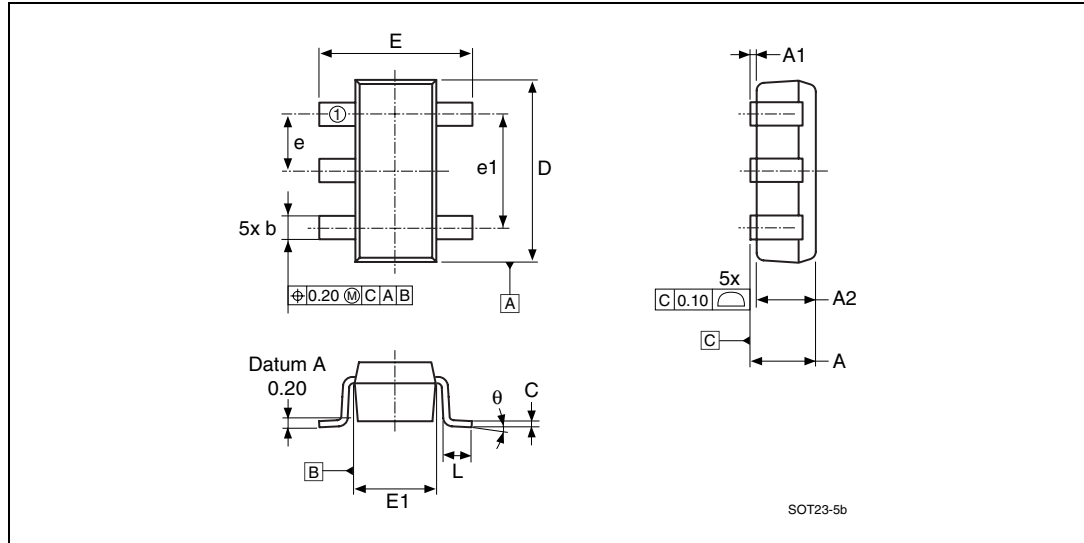
- At 25°C (typical)

Package mechanical data

In order to meet environmental requirements, ST offers these devices in ECOPACK[®] packages. These packages have a Lead-free second level interconnect. The category of second Level Interconnect is marked on the package and on the inner box label, in compliance with JEDEC Standard JESD97.

The maximum ratings related to soldering conditions are also marked on the inner box label. ECOPACK is an ST trademark. ECOPACK specifications are available at: www.st.com.

Figure 28. SOT23-5 – 5-lead small outline transistor package mechanical drawing



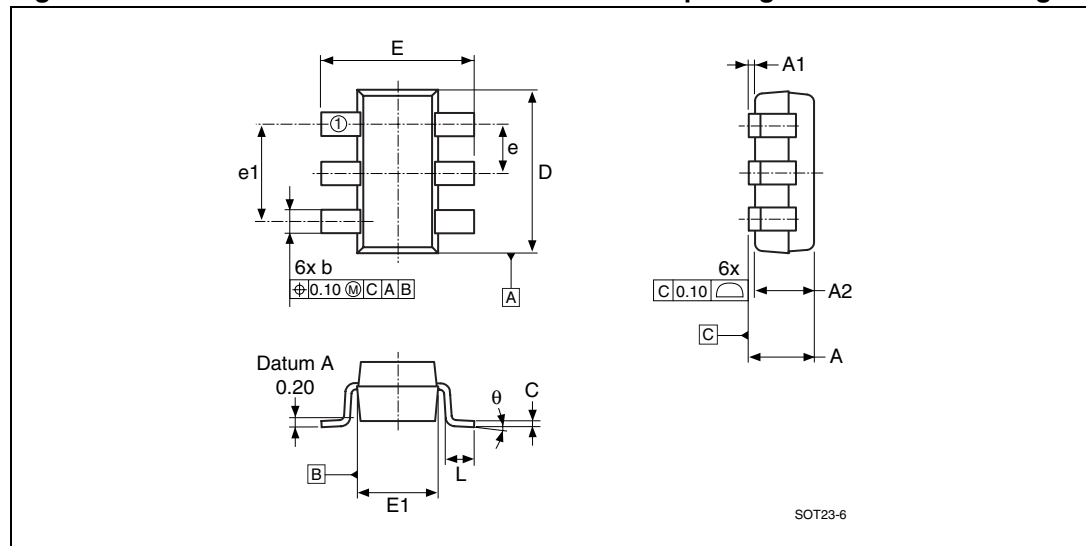
Note: Drawing is not to scale.

Table 8. SOT23-5 – 5-lead small outline transistor package mechanical data

Symb	mm			inches		
	Typ	Min	Max	Typ	Min	Max
A	–	–	1.45	–	–	0.057
A1	–	–	0.15	–	–	0.006
A2	1.15	0.90	1.30	0.045	0.035	0.051
b	–	0.30	0.50	–	0.012	0.020
C	–	0.08	0.22	–	0.003	0.009
D	2.90	–	–	0.114	–	–
E	2.80	–	–	0.110	–	–
E1	1.60	–	–	0.063	–	–
e	0.95	–	–	0.037	–	–
e1	1.90	–	–	0.075	–	–
L	0.45	0.30	0.60	0.018	0.012	0.024
Q	4°	0°	8°	4°	0°	8°
N	5			5		

Note: Dimensions per JEDEC SOT/SOP Product Outline MO-178C, variation AA

Figure 29. SOT23-6 – 6-lead small outline transistor package mechanical drawing



Note: Drawing is not to scale.

Table 9. SOT23-6 – 6-lead small outline transistor package mechanical data

Symb	mm			inches		
	Typ	Min	Max	Typ	Min	Max
A	–	–	1.45	–	–	0.057
A1	–	–	0.15	–	–	0.006
A2	1.15	0.90	1.30	0.045	0.035	0.051
b	–	0.30	0.50	–	0.012	0.020
C	–	0.08	0.22	–	0.003	0.009
D	2.90	–	–	0.114	–	–
E	2.80	–	–	0.110	–	–
E1	1.60	–	–	0.063	–	–
e	0.95	–	–	0.037	–	–
e1	1.90	–	–	0.075	–	–
L	0.45	0.30	0.60	0.018	0.012	0.024
Q	4°	0°	8°	4°	0°	8°
N	6			6		

Note: Dimensions per JEDEC SOT/SOP product outline MO-178C variation AA

Part numbering

Table 10. Ordering information scheme

Example:	STM67xx	LT	WY	6	E
Device Type					
STM67xx					
Reset Thresholds (V_{RST1} and V_{RST2}) for V_{CC1} and V_{CC2}					
STM6717/18/19/20/77/78 (V_{RST1} and V_{RST2})					
Suffix	V_{RST1}	V_{RST2}			
LT	4.625	3.075			
MS	4.375	2.925			
MR	4.375	2.625			
TZ ⁽¹⁾	3.075	2.313			
TW ⁽¹⁾	3.075	1.665			
TI	3.075	1.388			
TG ⁽¹⁾	3.075	1.110			
TK	3.075	0.925			
TE	3.075	0.833			
SY ⁽¹⁾	2.925	2.188			
SV ⁽¹⁾	2.925	1.575			
SH ⁽²⁾	2.925	1.313			
SF ⁽¹⁾	2.925	1.050			
SJ ⁽³⁾	2.925	0.875			
SD ⁽³⁾	2.925	0.788			
YV	2.188	1.575			
YH	2.188	1.313			
YF	2.188	1.050			
YJ	2.188	0.875			
YD	2.188	0.788			
VH	1.575	1.313			
VF	1.575	1.050			
VJ	1.575	0.875			
VD	1.575	0.788			
STM6779/80 (V_{RST1} only)					
L ⁻⁽¹⁾	4.625	–			
T ⁻⁽¹⁾	3.075	–			
S ⁻⁽¹⁾	2.925	–			
Y ⁻⁽¹⁾	2.188	–			
V ⁻⁽¹⁾	1.575	–			
R–	2.625	–			
Z–	2.313	–			
Package					
WY = SOT23-5					
WB = SOT23-6					
Temperature Range					
6 = –40 to 85°C					
Shipping Method					
E = ECOPACK Package, Tubes					
F = ECOPACK Package, Tape & Reel					

1. These are standard versions and are typically held in stock. A non-standard version may require a higher minimum volumes, and/or longer delivery times. For other options, or for more information on any aspect of this device, please contact the ST Sales Office nearest you
2. Available in STM6719 version only.
3. Available in STM6717 version only.

Table 11. Marking description

Part number	V_{RST1} threshold (V)	V_{RST1} threshold (V)	Topside marking	Bottomside marking
STM6717SD	2.925	0.788	7SD1	PYWW
STM6717SJ	2.925	0.875	7SJ1	PYWW
STM6717SF	2.925	1.050	7SF1	PYWW
STM6717TG	3.075	1.110	7TG1	PYWW
STM6717TW	3.075	1.665	7TW1	PYWW
STM6717SV	2.925	1.575	7SV1	PYWW
STM6717SY	2.925	2.188	7SY1	PYWW
STM6717TZ	3.075	2.313	7TZ1	PYWW
STM6718SF	2.925	1.050	7SF2	PYWW
STM6718TG	3.075	1.110	7TG2	PYWW
STM6718TW	3.075	1.665	7TW2	PYWW
STM6718SV	2.925	1.575	7SV2	PYWW
STM6718SY	2.925	2.188	7SY2	PYWW
STM6718TZ	3.075	2.313	7TZ2	PYWW
STM6719SF	2.925	1.050	7SF3	PYWW
STM6719TG	3.075	1.110	7TG3	PYWW
STM6719SH	2.925	1.313	7SH3	PYWW
STM6719TW	3.075	1.665	7TW3	PYWW
STM6719SV	2.925	1.575	7SV3	PYWW
STM6719SY	2.925	2.188	7SY3	PYWW
STM6719TZ	3.075	2.313	7TZ3	PYWW
STM6720SF	2.925	1.050	7SF4	PYWW
STM6720TG	3.075	1.110	7TG4	PYWW
STM6720TW	3.075	1.665	7TW4	PYWW
STM6720SV	2.925	1.575	7SV4	PYWW
STM6720SY	2.925	2.188	7SY4	PYWW
STM6720TZ	3.075	2.313	7TZ4	PYWW
STM6777SF	2.925	1.050	7SF5	PYWW
STM6777TG	3.075	1.110	7TG5	PYWW
STM6777TW	3.075	1.665	7TW5	PYWW
STM6777SV	2.925	1.575	7SV5	PYWW
STM6777SY	2.925	2.188	7SY5	PYWW
STM6777TZ	3.075	2.313	7TZ5	PYWW
STM6778SF	2.925	1.050	7SF6	PYWW
STM6778TG	3.075	1.110	7TG6	PYWW

Table 11. Marking description (continued)

Part number	V_{RST1} threshold (V)	V_{RST1} threshold (V)	Topside marking	Bottomside marking
STM6778TW	3.075	1.665	7TW6	PYWW
STM6778SV	2.925	1.575	7SV6	PYWW
STM6778SY	2.925	2.188	7SY6	PYWW
STM6778TZ	3.075	2.313	7TZ6	PYWW
STM6779L	4.625	-	7Lx7	PYWW
STM6779T	3.075	-	7Tx7	PYWW
STM6779S	2.925	-	7Sx7	PYWW
STM6779Y	2.188	-	7Yx7	PYWW
STM6779V	1.575	-	7Vx7	PYWW
STM6780L	4.625	-	7Lx8	PYWW
STM6780T	3.075	-	7Tx8	PYWW
STM6780S	2.925	-	7Sx8	PYWW
STM6780Y	2.188	-	7Yx8	PYWW
STM6780V	1.575	-	7Vx8	PYWW

Note: For Topside marking, "7" is the family number, followed by the V_{RST1} threshold, V_{RST2} threshold and device number (1 = STM6717, 2 = 6718, 3 = 6719, 4 = 6720, 5 = 6777, 6 = 6778, 7 = 6779, 8 = 6780).

For Bottomside marking, "P" = assembly site, "Y" = 1-digit year, and "WW" = 2-digit work week.

Revision history

Table 12. Document revision history

Date	Version	Revision details
18-Oct-2004	1.0	First draft
25-Oct-2004	1.1	Descriptive text, sales types (Table 10)
14-Jan-2005	1.2	Update characteristics, pin functions (Table 2)
09-Feb-2005	1.3	Update characteristics (Figure 9 ; Table 3)
08-Apr-2005	1.4	Update characteristics and mechanical dimensions; add table (Figure 9, 10, 27, 28, 29 ; Table 4, 6, 10, 8, 9)
28-Jul-2005	1.5	Update characteristics, reset delay (Figure 10, 27 ; Table 4, 6, 7, 10)
13-Sep-2005	2.0	Add operating characteristics; update timings, document status, Lead-free text (Figure 13, 14, 15, 16, 17, 18, 19, 20, 21, 22, 23, 24, 26, 27 ; Table 10)
07-Oct-2005	3.0	Marked STM6779/6780 as availability request parts (Table 1, 10)
07-Feb-2007	4.0	Updated STM6779/6780 availability (cover page, Table 1, 10)
12-Jun-2007	5.0	Updated Table 10 , added Table 11: Marking description .

Please Read Carefully:

Information in this document is provided solely in connection with ST products. STMicroelectronics NV and its subsidiaries ("ST") reserve the right to make changes, corrections, modifications or improvements, to this document, and the products and services described herein at any time, without notice.

All ST products are sold pursuant to ST's terms and conditions of sale.

Purchasers are solely responsible for the choice, selection and use of the ST products and services described herein, and ST assumes no liability whatsoever relating to the choice, selection or use of the ST products and services described herein.

No license, express or implied, by estoppel or otherwise, to any intellectual property rights is granted under this document. If any part of this document refers to any third party products or services it shall not be deemed a license grant by ST for the use of such third party products or services, or any intellectual property contained therein or considered as a warranty covering the use in any manner whatsoever of such third party products or services or any intellectual property contained therein.

UNLESS OTHERWISE SET FORTH IN ST'S TERMS AND CONDITIONS OF SALE ST DISCLAIMS ANY EXPRESS OR IMPLIED WARRANTY WITH RESPECT TO THE USE AND/OR SALE OF ST PRODUCTS INCLUDING WITHOUT LIMITATION IMPLIED WARRANTIES OF MERCHANTABILITY, FITNESS FOR A PARTICULAR PURPOSE (AND THEIR EQUIVALENTS UNDER THE LAWS OF ANY JURISDICTION), OR INFRINGEMENT OF ANY PATENT, COPYRIGHT OR OTHER INTELLECTUAL PROPERTY RIGHT.

UNLESS EXPRESSLY APPROVED IN WRITING BY AN AUTHORIZED ST REPRESENTATIVE, ST PRODUCTS ARE NOT RECOMMENDED, AUTHORIZED OR WARRANTED FOR USE IN MILITARY, AIR CRAFT, SPACE, LIFE SAVING, OR LIFE SUSTAINING APPLICATIONS, NOR IN PRODUCTS OR SYSTEMS WHERE FAILURE OR MALFUNCTION MAY RESULT IN PERSONAL INJURY, DEATH, OR SEVERE PROPERTY OR ENVIRONMENTAL DAMAGE. ST PRODUCTS WHICH ARE NOT SPECIFIED AS "AUTOMOTIVE GRADE" MAY ONLY BE USED IN AUTOMOTIVE APPLICATIONS AT USER'S OWN RISK.

Resale of ST products with provisions different from the statements and/or technical features set forth in this document shall immediately void any warranty granted by ST for the ST product or service described herein and shall not create or extend in any manner whatsoever, any liability of ST.

ST and the ST logo are trademarks or registered trademarks of ST in various countries.

Information in this document supersedes and replaces all information previously supplied.

The ST logo is a registered trademark of STMicroelectronics. All other names are the property of their respective owners.

© 2007 STMicroelectronics - All rights reserved

STMicroelectronics group of companies

Australia - Belgium - Brazil - Canada - China - Czech Republic - Finland - France - Germany - Hong Kong - India - Israel - Italy - Japan - Malaysia - Malta - Morocco - Singapore - Spain - Sweden - Switzerland - United Kingdom - United States of America

www.st.com

