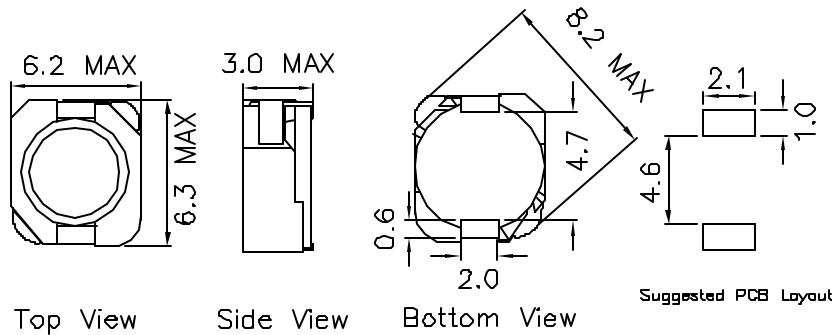
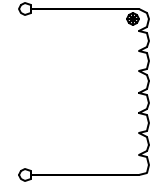


## XFTPRH5D28R SERIES SHIELDED INDUCTOR

### Mechanical Dimensions:



### Schematic:



UNLESS OTHERWISE SPECIFIED  
 TOLERANCES:  
 .xx ±0.30  
 Dimensions in MM

Part Number	OCL (1) ( $\mu$ H) $\pm$ 30%	DCR (2) Max (Typ) ( $\Omega$ )	IDC (3) (A)
XFTPRH5D28R-2R5N	2.50	0.0176 (0.013)	2.60
XFTPRH5D28R-3R3N	3.30	0.0203 (0.015)	2.30
XFTPRH5D28R-4R0N	4.00	0.0270 (0.020)	2.10
XFTPRH5D28R-5R0N	5.00	0.0311 (0.023)	1.85
XFTPRH5D28R-6R0N	6.00	0.0419 (0.031)	1.70
XFTPRH5D28R-8R0N	8.00	0.0499 (0.037)	1.50
XFTPRH5D28R-100N	10.00	0.0540 (0.040)	1.30
XFTPRH5D28R-120N	12.00	0.0716 (0.053)	1.20
XFTPRH5D28R-150N	15.00	0.0824 (0.061)	1.10
XFTPRH5D28R-180N	18.00	0.1015 (0.075)	1.05
XFTPRH5D28R-220N	22.00	0.1190 (0.088)	0.95
XFTPRH5D28R-270N	27.00	0.1460 (0.108)	0.85
XFTPRH5D28R-330N	33.00	0.1825 (0.135)	0.76
XFTPRH5D28R-390N	39.00	0.2095 (0.155)	0.68
XFTPRH5D28R-470N	47.00	0.2295 (0.170)	0.60
XFTPRH5D28R-560N	56.00	0.3050 (0.226)	0.55
XFTPRH5D28R-680N	68.00	0.4185 (0.260)	0.48
XFTPRH5D28R-820N	82.00	0.4185 (0.310)	0.45
XFTPRH5D28R-101N	100.00	0.5200 (0.385)	0.40

- (1). OCL Test Parameters: 100KHz, 0.1Vrms, 0.0Adc
- (2). Values @ 20°C
- (3). Inductance drop=35% typ At IDC / 40°C Temp Rise
- (4). Operating Temp: -30°C to +100°C
- (5). Tape & Reel Packaging Standard, 2000 Pcs per 13" reel