

## 1/4" (6.35 mm) Square Wirewound Trimmers



### APPLICATIONS

Wirewound trimmers are particularly useful in those applications where any combination of high power, low temperature coefficient of resistance and/or excellent long term life stability are important design considerations.

### ELECTRICAL SPECIFICATIONS

**Electrical travel:** 22 turns  $\pm$  4 turns

**Resistance range:** 10  $\Omega$  to 5 k $\Omega$

Extended range available in non MIL-SPEC product

**Resistance tolerance:**  $\pm$  5 % standard

Closer tolerances available

**Temperature coefficient:** (- 65  $^{\circ}$ C to + 150  $^{\circ}$ C)  $\pm$  50 ppm/ $^{\circ}$ C

**Power rating:** 0.5 W at + 85  $^{\circ}$ C derated to 0 W at + 150  $^{\circ}$ C

These specifications exceed MIL-SPEC

**End resistance:** 1  $\Omega$  or 2 %, whichever is greater

**Equivalent noise resistance (ENR):** 100  $\Omega$  maximum

**Dielectric (DWV):** 1000 V<sub>AC</sub> at atmospheric pressure

These specifications exceed MIL-SPEC

**Insulation resistance:** > 100 000 M $\Omega$  (500 V<sub>DC</sub>)

These specifications exceed MIL-SPEC

### MECHANICAL SPECIFICATIONS

**Operating torque:** 3 oz.-inches maximum, 17<sup>S</sup> and 18<sup>S</sup>, 5 oz.-inches maximum, 12<sup>S</sup>, 14<sup>S</sup> and 15<sup>S</sup>

**Rotation:** Clutch stop, wiper idles

**Weight:** 0.935 g maximum

**Resistive element:** Nickel chromium

**Rotational life:** 200 cycles minimum

**Terminal strength:** 2 lbs for 10 s

### FEATURES

- Precious metal wiper
- 0.25 W to + 85  $^{\circ}$ C
- TCR < 50 ppm/ $^{\circ}$ C
- Solderable leads
- Special configurations available
- Military quality at affordable prices

### ENVIRONMENTAL SPECIFICATIONS

**Temperature limits:** - 65  $^{\circ}$ C to + 175  $^{\circ}$ C

**Sealing:** Fully sealed case (non-hermetic)

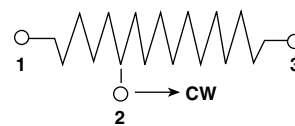
### STANDARD RESISTANCE VALUES

RESISTANCE <sup>(1)</sup> ( $\Omega$ )	NOMINAL RESOLUTION (%)
10	1.65
20	1.35
50	1.13
100	0.82
200	0.62
500	0.62
1K	0.49
2K	0.34
5K	0.27
10K	0.21
20K	0.17
25K	0.16

**Note**

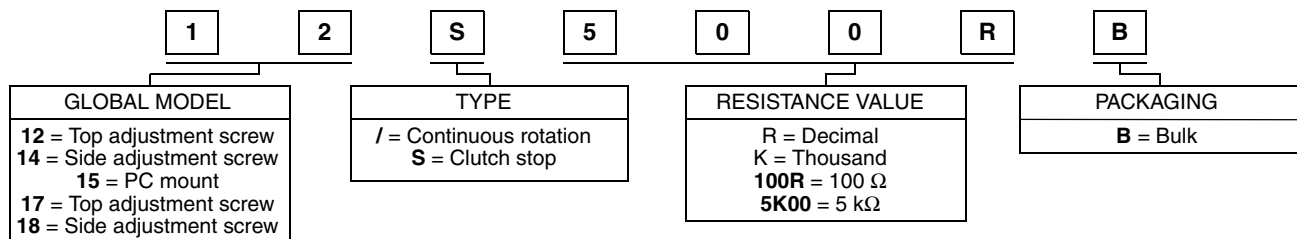
<sup>(1)</sup> Other resistances available upon request

### CIRCUIT DIAGRAM

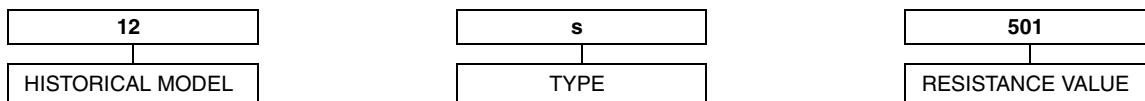


### GLOBAL PART NUMBER INFORMATION

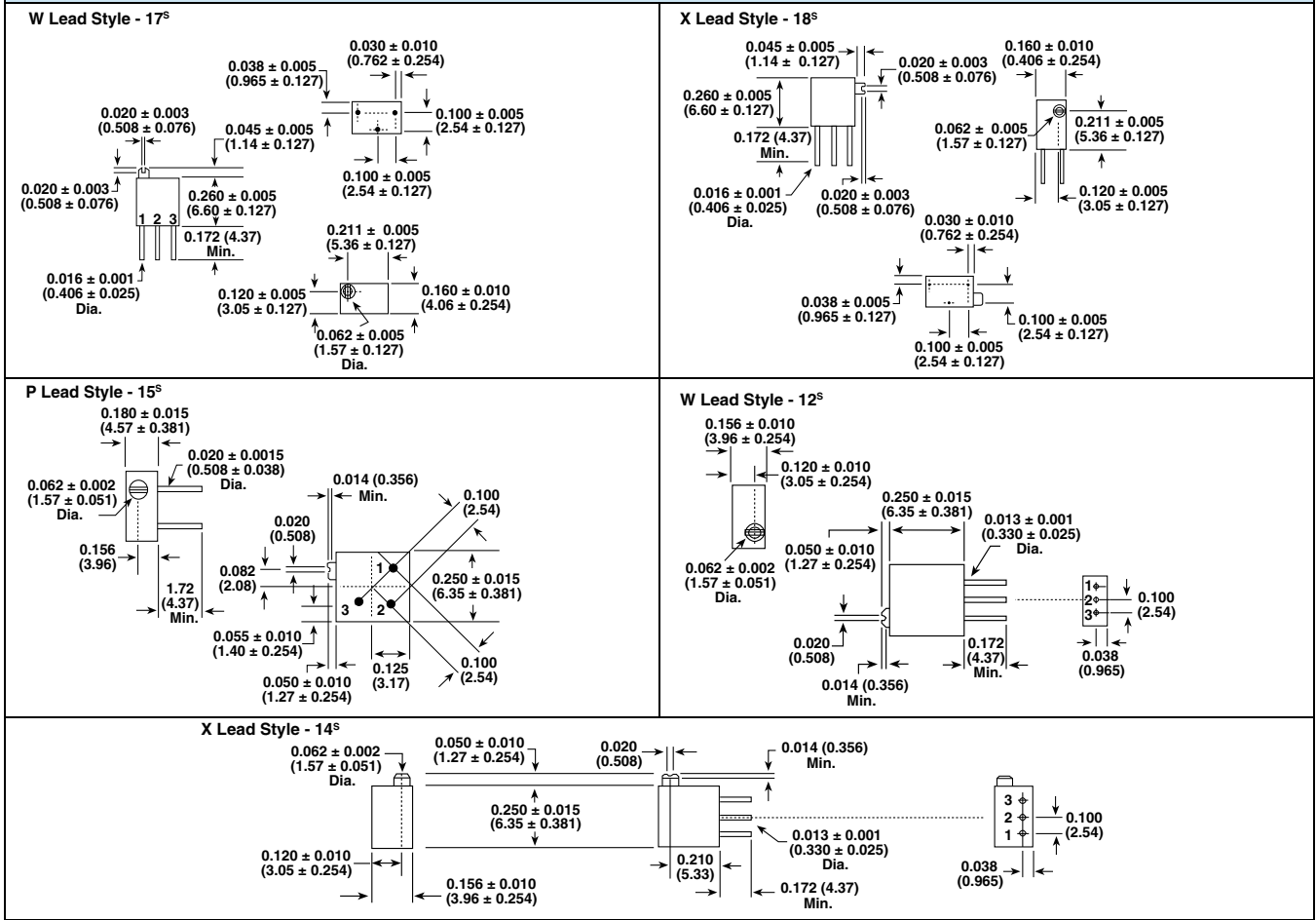
New global part numbering: 12S500RB (preferred part number format)



Historical part numbering: 12s501 (will continue to be accepted)



**DIMENSIONS 1/4" (6.35 mm) Square** in inches (millimeters)



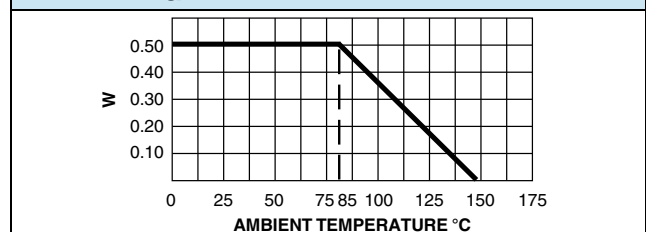
**ENVIRONMENTAL PERFORMANCE**

TEST <sup>(1)</sup>	CONDITIONS	MIL-R-27208 REQUIREMENT	TYPICAL CHANGE
Thermal shock (107)	5 cycles, - 55 °C to + 125 °C	$\Delta R \leq 1.0 \% ^{(2)}$	$\Delta R < 0.02 \%$
Low temperature operation	1 h storage, 45 min rated power at - 55 °C	$\Delta R \leq 1.0 \% ^{(2)(3)}$	$\Delta R < 0.01 \%$
High temperature exposure	250 h, no load at + 150 °C	$\Delta R \leq 1.0 \% ^{(2)(3)}$	$\Delta R < 0.03 \%$
Moisture resistance (106)	240 h at rated power with humidity ranging from 80 % RH to 98 % RH	$\Delta R \leq 1.0 \% ^{(2)}$	$\Delta R < 0.02 \%$
Resistance to soldering heat (210)	+ 350 °C for 3 s	$\Delta R \leq 1.0 \% ^{(2)}$	$\Delta R < 0.01 \%$
Shock (213)	18 shocks, 100 g, 6 ms, sawtooth, 3 axes	$\Delta R \leq 1.0 \% ^{(2)(3)}$	$\Delta R < 0.07 \%$
Vibration (204)	10 Hz to 2000 Hz, 20 g, 12 h, 3 axes	$\Delta R \leq 1.0 \% ^{(2)(3)}$	$\Delta R < 0.02 \%$
Rotational life	200 cycles	$\Delta R \leq 2.0 \%$	$\Delta R < 0.04 \%$
Load life (108)	1000 h at rated power at + 85 °C	$\Delta R \leq 2.0 \%$	$\Delta R < 0.12 \%$

**Notes**

- (1) Numbers in parenthesis refer to test method MIL-STD-202 as modified by the detail specification.
- (2) For values below 100  $\Omega$ , add 0.05  $\Omega$  to the allowable change.
- (3) The referenced tests also require that setting stability change shall not exceed  $\pm 1.0 \%$  plus the specified maximum resolution and operating torque shall not exceed 150 % of the specified maximum.

**DERATING**





## Disclaimer

All product specifications and data are subject to change without notice.

Vishay Intertechnology, Inc., its affiliates, agents, and employees, and all persons acting on its or their behalf (collectively, "Vishay"), disclaim any and all liability for any errors, inaccuracies or incompleteness contained herein or in any other disclosure relating to any product.

Vishay disclaims any and all liability arising out of the use or application of any product described herein or of any information provided herein to the maximum extent permitted by law. The product specifications do not expand or otherwise modify Vishay's terms and conditions of purchase, including but not limited to the warranty expressed therein, which apply to these products.

No license, express or implied, by estoppel or otherwise, to any intellectual property rights is granted by this document or by any conduct of Vishay.

The products shown herein are not designed for use in medical, life-saving, or life-sustaining applications unless otherwise expressly indicated. Customers using or selling Vishay products not expressly indicated for use in such applications do so entirely at their own risk and agree to fully indemnify Vishay for any damages arising or resulting from such use or sale. Please contact authorized Vishay personnel to obtain written terms and conditions regarding products designed for such applications.

Product names and markings noted herein may be trademarks of their respective owners.