

PLEASE CHECK WWW.MOLEX.COM FOR LATEST PART INFORMATION

Part Number: [0351510114](#)
Status: **Active**
Overview: [versablade](#)
Description: 1.80mm (.070") Pitch Wire-to-Wire VersaBlade™ Hybrid Plug Housing, 1 Circuit, Polyester UL94V-0, Blue

Documents:

[3D Model](#) [Product Specification PS-35150-001 \(PDF\)](#)
[Drawing \(PDF\)](#) [RoHS Certificate of Compliance \(PDF\)](#)

Agency Certification

CSA	LR19980
TUV	R72090206
UL	E29179

General

Product Family	Crimp Housings
Series	35151
Comments	Polarized to Mating Part, Positive Lock
Overview	versablade
Product Name	VersaBlade™

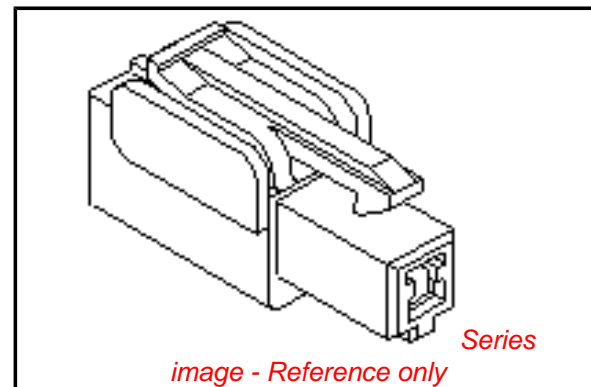
Physical

Breakaway	No
Circuits (maximum)	1
Color - Resin	Blue
Flammability	94V-0
Gender	Female
Glow-Wire Compliant	No
Keying to Mating Part	None
Lock to Mating Part	Yes
Material - Resin	Polyester
Number of Rows	1
Packaging Type	Bag
Panel Mount	No
Pitch - Mating Interface (in)	0.000 In
Pitch - Mating Interface (mm)	0.00 mm
Polarized to Mating Part	Yes
Stackable	No
Temperature Range - Operating	-40°C to +120°C

Material Info

Reference - Drawing Numbers

Product Specification	PS-35150-001
Sales Drawing	SD-35151-0110



EU RoHS

ELV and RoHS Compliant
REACH SVHC
 Not Reviewed
Halogen-Free Status
 Not Reviewed

China RoHS



Need more information on product environmental compliance?

Email productcompliance@molex.com
 For a multiple part number RoHS Certificate of Compliance, [click here](#)

Please visit the [Contact Us](#) section for any non-product compliance questions.

Search Parts in this Series

[35151Series](#)

Mates With

[35150-0100](#) Receptacle Housing

Use With

VersaBlade™ Crimp Terminals, [35746](#),
[35182](#) TPA™

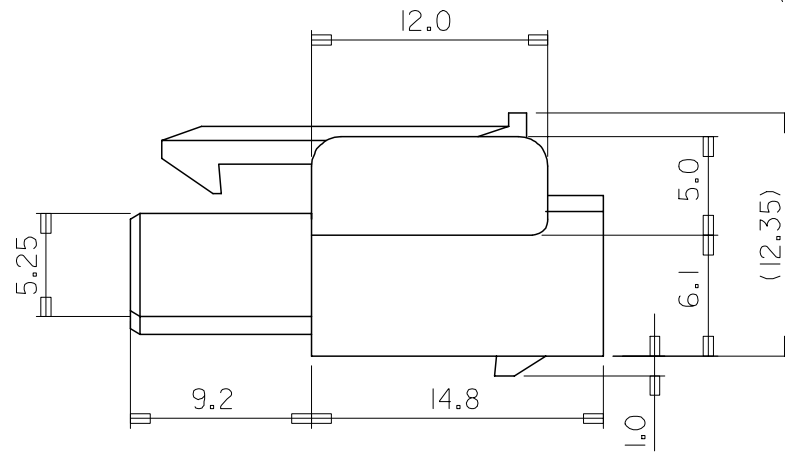
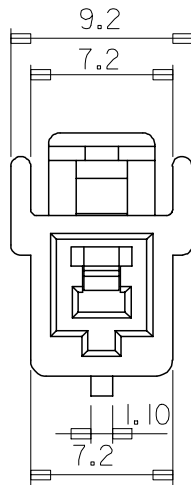
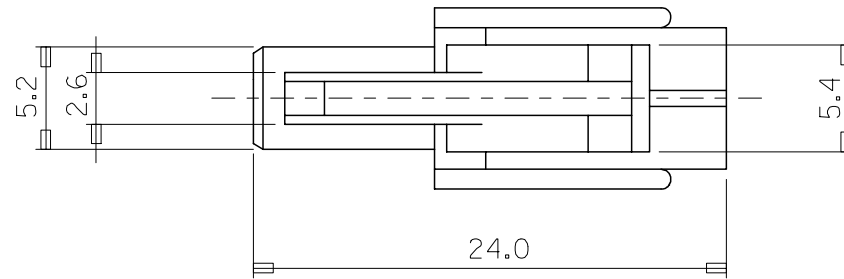
10 9 8 7 6 5 4 3 2 1

F

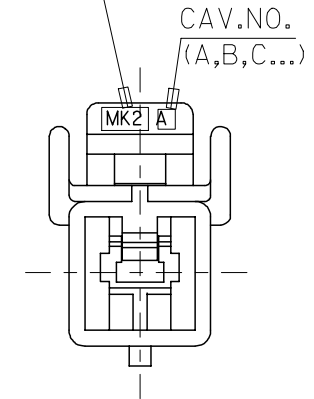
F

NOTES

1. HOUSING COLOR: SEE TABLE
2. MATING HOUSING: 35150-0100
3. APPLICABLE TERMINAL: 35746-0*10
4. APPLICABLE TPA: 35182-019*



TRADE MARK
(MK2)



D

D

C

C

B

B

NO	PRODUCT		MATERIAL	
	PART NO	MATERIAL NO	COLOR	DESCRIPTION
1	35151-0110	351510110	NATURAL	PBT (UL94V-0)
2	35151-0112	351510112	RED	
3	35151-0114	351510114	BLUE	PBT/PC
4	35151-0119	351510119	NATURAL	

REVISED
EC NO: KOR2008-0078
DRWN: JHPARK01 2007/09/10
CHKD: WY. YANG 2007/09/10
APPR: YUNSIKKIM 2007/09/10

QUALITY SYMBOLS
 =0
 =0

	GENERAL TOLERANCES (UNLESS SPECIFIED)	
	mm	INCH
4 PLACES	± .005	± .0004
3 PLACES	± .002	± .0001
2 PLACES	± .001	± .00005
1 PLACE	± 0.3	± .012
ANGULAR ± 1 °		

DRAFT WHERE APPLICABLE MUST REMAIN WITHIN DIMENSIONS

DIMENSION STYLE	
MM ONLY	DATE
DRAWN BY	DATE
WY. YANG	
CHECKED BY	DATE
APPROVED BY	DATE
MATERIAL NO.	DATE
SEE TABLE	

SCALE	DESIGN UNITS	THIRD ANGLE PROJECTION
4:1	METRIC	
.070 W/W PLUG HSG-1P		
MOLEX INCORPORATED		SHEET NO.
SD-35151-0110		1 OF 01
THIS DRAWING CONTAINS INFORMATION THAT IS PROPRIETARY TO MOLEX INCORPORATED AND SHOULD NOT BE USED WITHOUT WRITTEN PERMISSION		

A

A

9 8 7 6 5 4 3 2 1