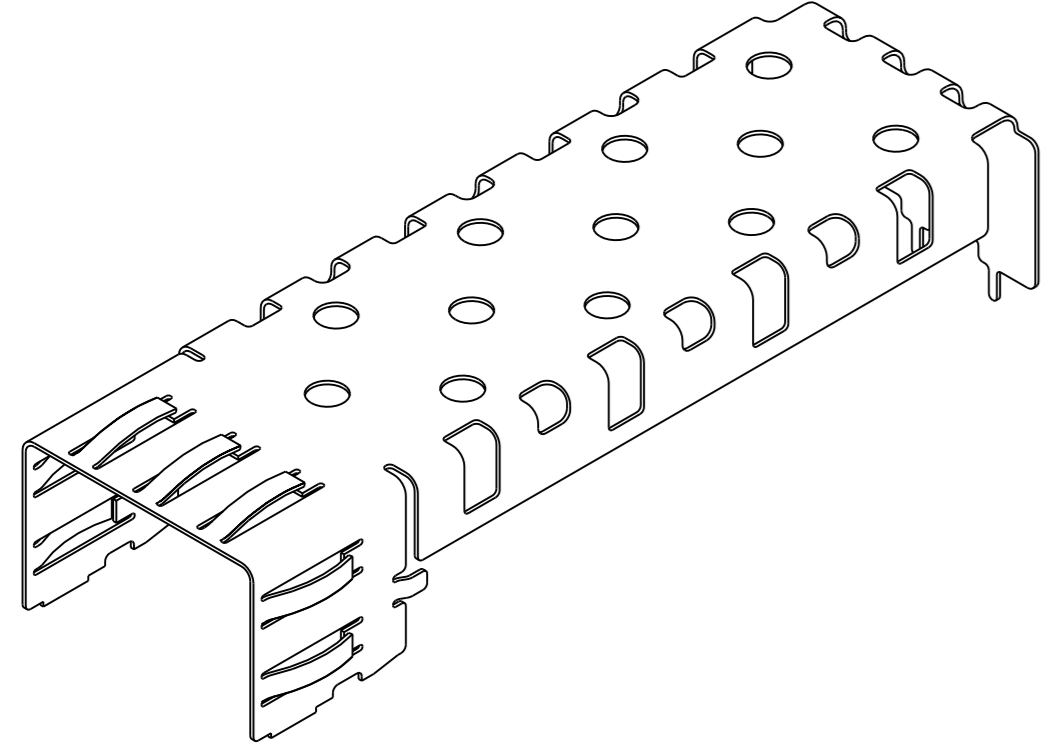
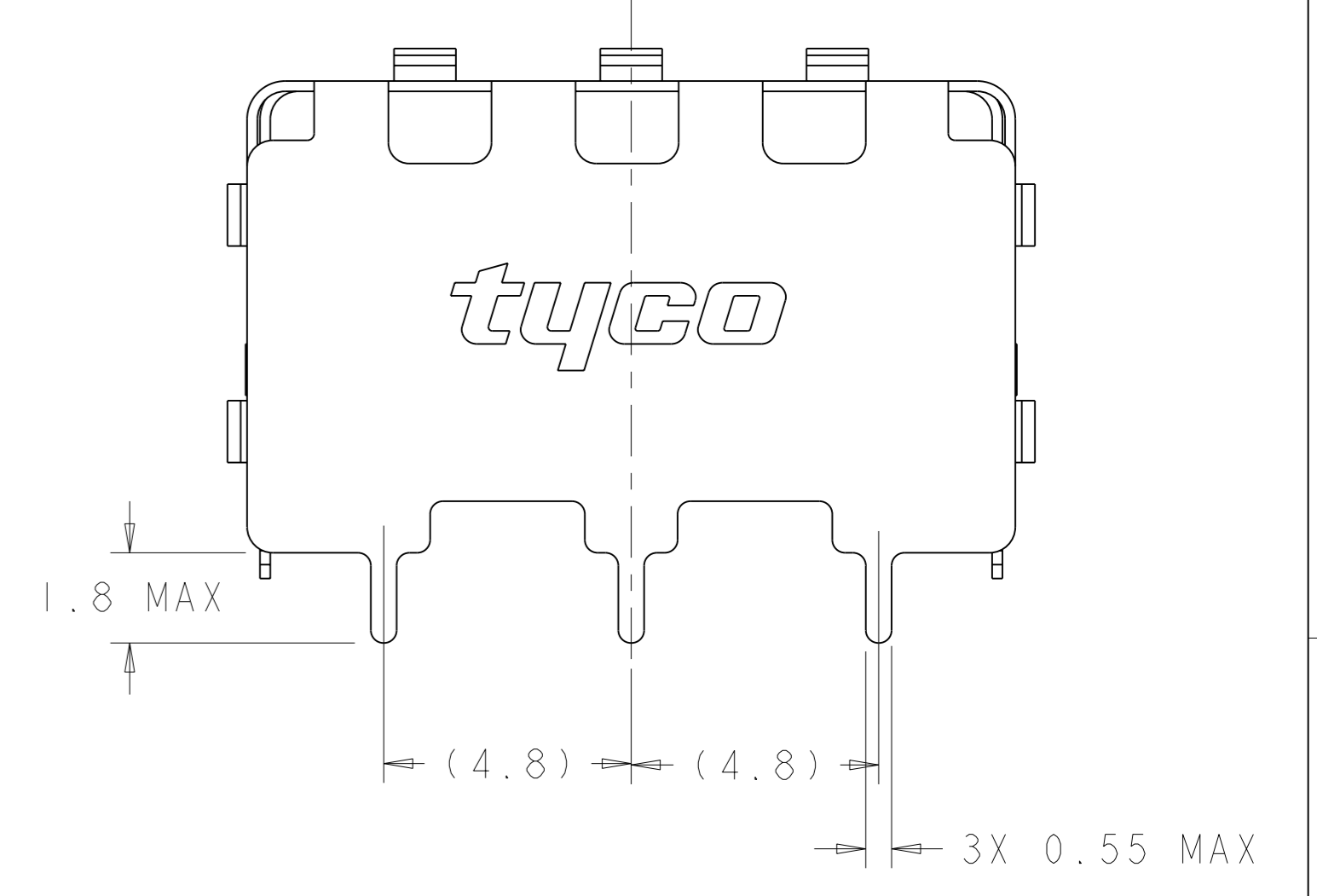
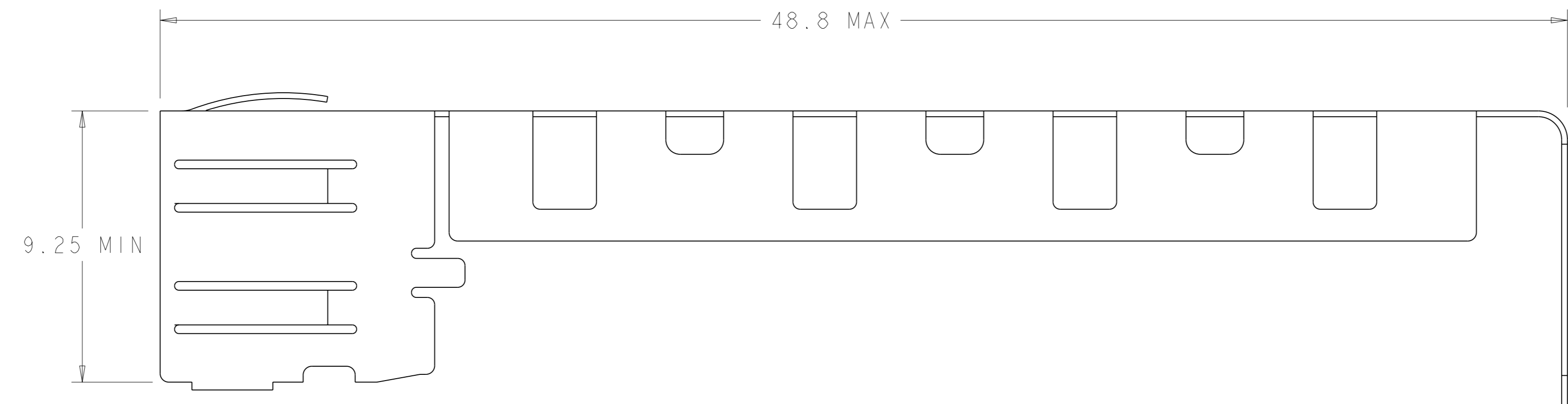
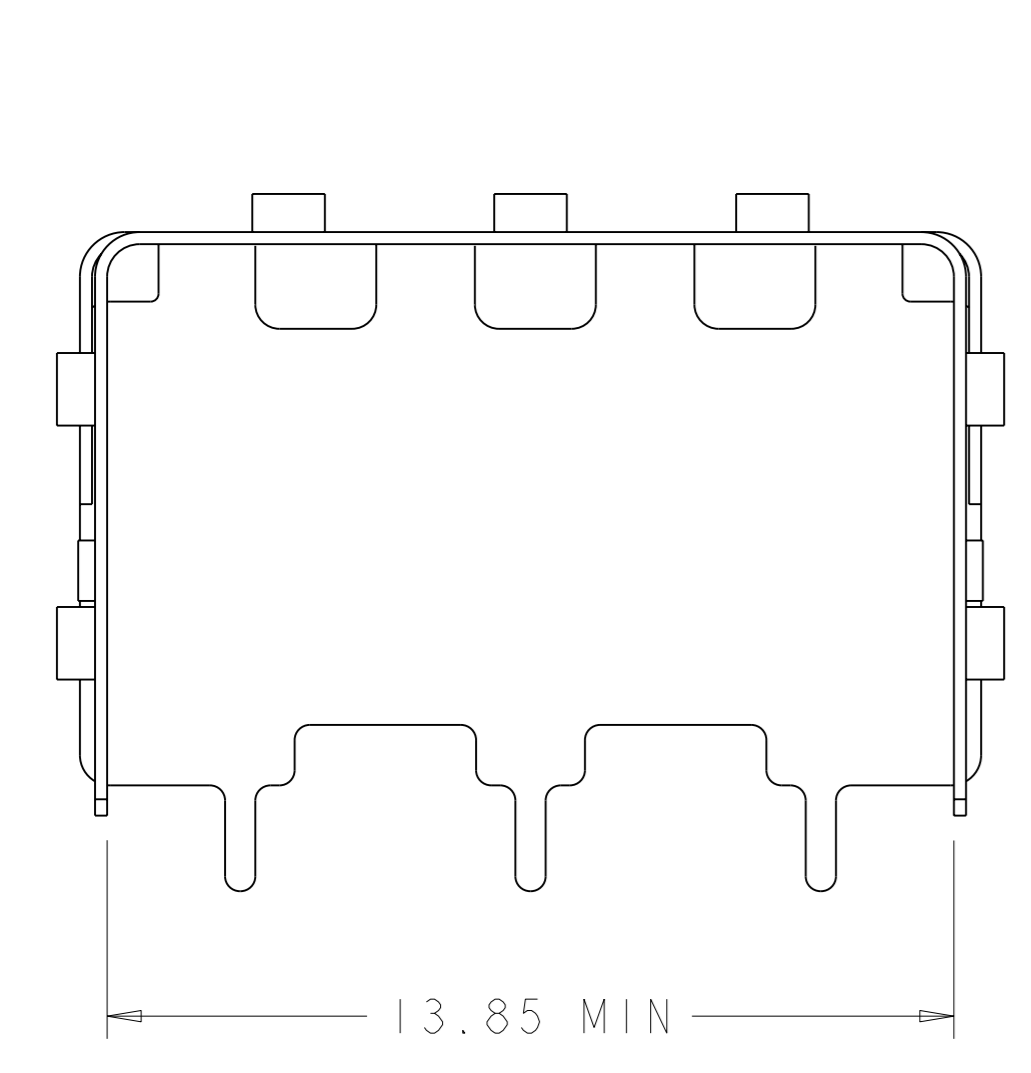
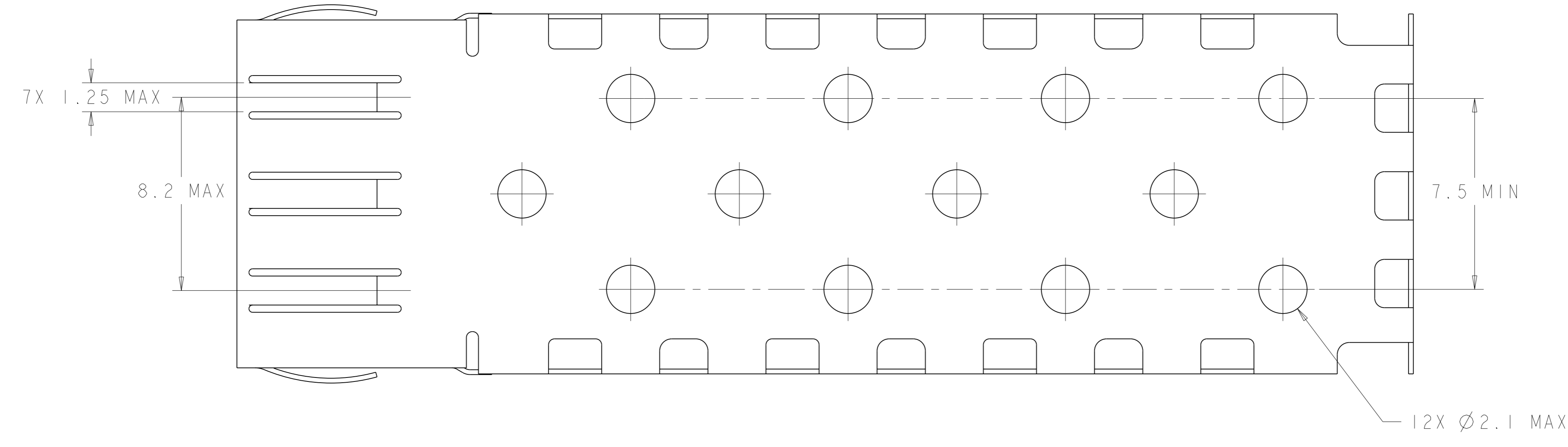


LOC		DIST		REVISIONS			
F	LYR	DESCRIPTION	DATE	DWN	APVD		
I		PRELIMINARY PER EC 0513-0083-05	27JAN05	JG	JK		
A		RELEASED PER EC 0513-0308-05	22DEC05	BM	SS		



SCALE 3:1

- ⚠ COPPER ALLOY, 0.2 THICK.
- ⚠ 1.25 MICROMETERS MIN TIN OVER 0.125 MICROMETERS MIN NICKEL. BARE EDGES PERMISSIBLE.
- 3. PACKAGED 60 PIECES PER TRAY.



6367035-1
PART NUMBER

<small>THIS DRAWING IS A CONTROLLED DOCUMENT FOR PROTECTIVE IDENTIFICATION PURPOSES. IT IS THE USER'S RESPONSIBILITY TO CONTROL THE IDENTIFICATION OF THIS DRAWING.</small>		DWN: J. GERACE 27JAN05 CHK: J. KOPPENHEFFER 27JAN05 APVD: -	tyco AMP Incorporated Harrisburg, PA 17105-3608
DIMENSIONS: (mm)	TOLERANCES UNLESS OTHERWISE SPECIFIED: 0 PLC ± 1 PLC ± 2 PLC ± 3 PLC ± 4 PLC ± ANGLES ±	PRODUCT SPEC: 108-1950 APPLICATION SPEC: 114-13017 WEIGHT: -	NAME: CAGE, TOP SFP SIZE: A CAGE CODE: 00779 DRAWING NO: 6367035 RESTRICTED TO: -
MATERIAL: ⚠	FINISH: ⚠	CUSTOMER DRAWING SCALE: 8:1 SHEET 1 OF 1 REV A	