

PLEASE CHECK WWW.MOLEX.COM FOR LATEST PART INFORMATION

Part Number: **0879333015**
Status: **Active**
Description: 1.27mm (.050") Pitch Wire-to-Board Header, Dual Row, SMT, Vertical, 30 Circuits, 0.05µm (2µ") Gold (Au) Plating, Mating Pin Length 3.05mm (0.120"), with Cap, without Peg, Tube Packaging, Lead-free

Documents:

[3D Model](#) [Product Specification PS-87933-001 \(PDF\)](#)
[Drawing \(PDF\)](#) [RoHS Certificate of Compliance \(PDF\)](#)

General

Product Family	PCB Headers
Series	87933
Application	Wire-to-Board
Comments	With Cap
Product Name	N/A

Physical

Breakaway	Yes
Circuits (Loaded)	30
Circuits (maximum)	30
Color - Resin	Black
Durability (mating cycles max)	100
First Mate / Last Break	No
Glow-Wire Compliant	No
Guide to Mating Part	No
Keying to Mating Part	None
Lock to Mating Part	No
Mated Height (in)	0.120 In
Mated Height (mm)	3.05 mm
Material - Metal	Copper Alloy
Material - Plating Mating	Gold
Material - Plating Termination	Nickel
Material - Resin	High Temperature Thermoplastic
Number of Rows	2
Orientation	Vertical
PCB Locator	No
PCB Retention	None
Packaging Type	Tube
Pitch - Mating Interface (in)	0.050 In
Pitch - Mating Interface (mm)	1.27 mm
Pitch - Term. Interface (in)	0.050 In
Pitch - Term. Interface (mm)	1.27 mm
Plating min: Mating (µin)	2
Plating min: Mating (µm)	0.05
Plating min: Termination (µin)	50
Plating min: Termination (µm)	1.27
Polarized to Mating Part	No
Polarized to PCB	No
Robotic Placement	Pick and Place Cap
Shrouded	No
Stackable	No
Temperature Range - Operating	-55°C to +105°C
Termination Interface: Style	Surface Mount

Electrical

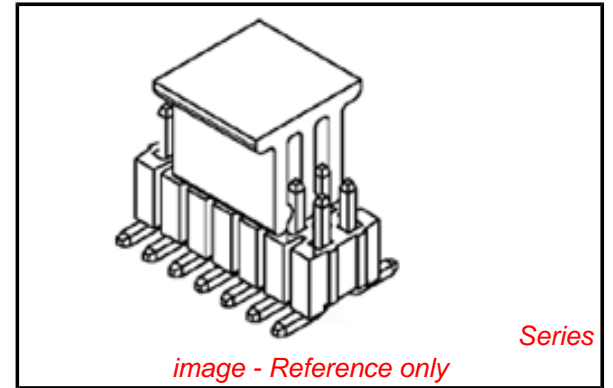


image - Reference only

EU RoHS

ELV and RoHS Compliant
REACH SVHC
 Not Reviewed
Halogen-Free Status
 Not Reviewed

China RoHS



Need more information on product environmental compliance?

Email productcompliance@molex.com
 For a multiple part number RoHS Certificate of Compliance, [click here](#)

Please visit the [Contact Us](#) section for any non-product compliance questions.

Search Parts in this Series

[87933Series](#)

Mates With

[78120 Wire-to-Board Receptacles](#)

Current - Maximum per Contact	1.75A
Voltage - Maximum	125V

Solder Process Data

Duration at Max. Process Temperature (seconds)	14
Lead-free Process Capability	Reflow Capable (SMT only)
Max. Cycles at Max. Process Temperature	3
Process Temperature max. C	260

Material Info

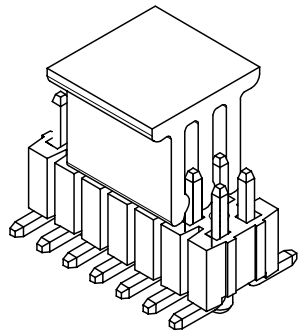
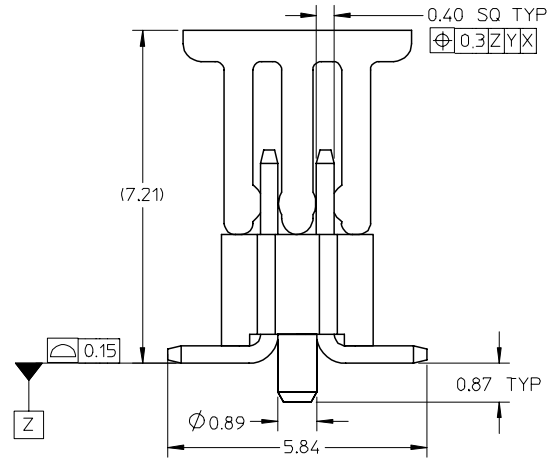
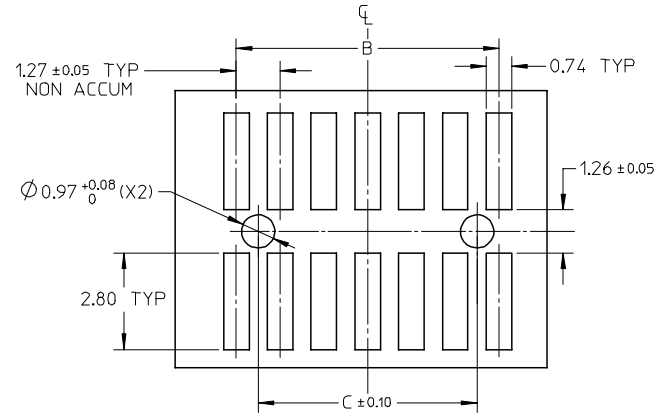
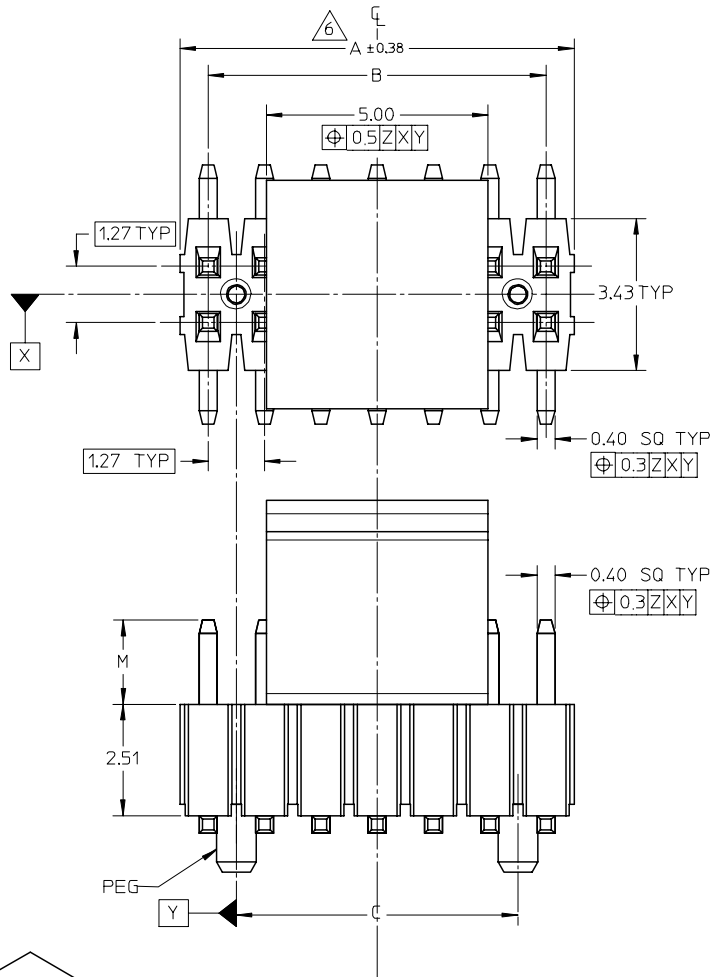
Reference - Drawing Numbers

Product Specification	PS-87933-001
Sales Drawing	SD-87933-014

This document was generated on 04/09/2010

PLEASE CHECK WWW.MOLEX.COM FOR LATEST PART INFORMATION

10 9 8 7 6 5 4 3 2 1



ADD. OPTION	2007/10/10
EC NO: S2008-0216	2007/10/11
DRWN: CWLAM	2007/10/11
CHKD: KWLEE	2007/10/29
APPR: KWLEE	
REV	DESCRIPTION
A2	

QUALITY SYMBOLS	DESCRIPTION
▽=0	
∇=0	

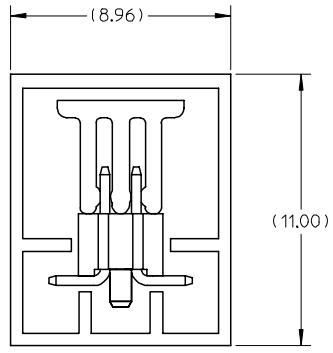
GENERAL TOLERANCES (UNLESS SPECIFIED)	
	mm
	INCH
4 PLACES	± ---
3 PLACES	± ---
2 PLACES	± 0.20
1 PLACE	± ---
ANGULAR ± 3 °	
DRAFT WHERE APPLICABLE MUST REMAIN WITHIN DIMENSIONS	

DIMENSION STYLE	
MM ONLY	
DRAWN BY	DATE
LNJ	2006/02/14
CHECKED BY	DATE
BOKOK	2006/03/27
APPROVED BY	DATE
PTL IM	2006/03/29
MATERIAL NO.	
SEE TABLE	
SIZE	
A3	

SCALE	DESIGN UNITS	THIRD ANGLE PROJECTION
NTS	METRIC	
1.27MM PITCH SMT HEADER WITH PEG AND CAP PACKED IN TUBE		
MOLEX INCORPORATED		
MATERIAL NO.	DOCUMENT NO.	SHEET NO.
	SD-87933-014	1 OF 5

9 8 7 6 5 4 3 2 1

CKT. SIZE	DIMENSION		
	A	B	C
10	6.35	5.08	3.81
20	12.70	11.43	10.16
30	19.05	17.78	16.51
40	25.40	24.13	22.86
50	31.75	30.48	29.21
60	38.10	36.83	35.56
68	43.18	41.91	40.64
70	44.45	43.18	41.91
80	50.80	49.53	48.26
90	57.15	55.88	54.61
100	63.50	62.23	60.96



PART W/PEG & CAP
PACKED IN TUBE

NOTE:

- MATERIAL: HOUSING: LCP GLASS FILLED,
COLOR: BLACK
TERMINAL: COPPER ALLOY
- PIN PUSHOUT FORCE: 0.4KG MIN. IN EITHER DIRECTION.
- PLATING FINISH:
 - 2 MINCH MIN. GOLD FLASH OVERALL,
50 MINCH MIN. NICKEL UNDERPLATED
 - 100 MINCH MIN. TIN OVERALL,
50 MINCH MIN. NICKEL UNDERPLATED
 - 30 MINCH MIN. GOLD PLATE IN SELECTED AREA AND
80 MINCH MIN. TIN IN SELECTED AREA OVER,
50 MINCH MIN. NICKEL UNDERPLATED
 - 15 MINCH MIN. GOLD PLATE IN SELECTED AREA AND
80 MINCH MIN. TIN IN SELECTED AREA OVER,
50 MINCH MIN. NICKEL UNDERPLATED
- THE ABOVE 14 CKT SHOWN IS FOR ILLUSTRATION ONLY.
- PARTS TO BE PACKED IN TUBE.
- POSITION OF CAP TO BE LOCATED AT THE CENTER OF DIMENSION (A) REGARDLESS OF CIRCUIT SIZE
- IRREGULAR CIRCUIT CUTOFF WITHIN BREAKAWAY SECTION IS PERMISSIBLE. CUTTING OR CHIPPING OF THE MAIN BODY IS NOT ACCEPTABLE.
- PACKAGING SPECIFICATION REFER TO
TUBE : PK-89990-565

ADD. OPTION EC NO: S2008-0216 DRWN: CWLAM CHKD: KWLEE APPR: KWLEE	QUALITY SYMBOLS ▽=0 ∇=0	GENERAL TOLERANCES (UNLESS SPECIFIED)		DIMENSION STYLE MM ONLY		SCALE NTS	DESIGN UNITS METRIC	THIRD ANGLE PROJECTION		
			mm	INCH	DRAWN BY LNG	DATE 2006/02/14	TITLE 1.27MM PITCH SMT HEADER WITH PEG AND CAP PACKED IN TUBE			
		4 PLACES	± ---	± ---	CHECKED BY BOKOK	DATE 2006/03/27	APPROVED BY PTL IM			
		3 PLACES	± ---	± ---	APPROVED BY DATE 2006/03/29		MOLEX INCORPORATED			
2 PLACES	± 0.20	± ---	ANGULAR ± 3 °		MATERIAL NO.	DOCUMENT NO.	SHEET NO.			
1 PLACE	± ---	± ---	DRAFT WHERE APPLICABLE MUST REMAIN WITHIN DIMENSIONS		SEE TABLE	SD-87933-014	2 OF 5			
A2	REV	SIZE A3 THIS DRAWING CONTAINS INFORMATION THAT IS PROPRIETARY TO MOLEX INCORPORATED AND SHOULD NOT BE USED WITHOUT WRITTEN PERMISSION								

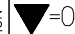
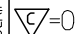

	10	9	8	7	6	5	4	3	2	1					
F	P/N WITH CAP PACKED IN TUBE	PEG	CKT SIZE	PLATING OPTIONS	DIM. M	P/N WITH CAP PACKED IN TUBE	PEG	CKT SIZE	PLATING OPTIONS	DIM. M	P/N WITH CAP PACKED IN TUBE	PEG	CKT SIZE	PLATING OPTIONS	DIM. M
		87933-1007	N	10	1	1.65	87933-2007	N	20	1	1.65	87933-3007	N	30	1
	87933-1008	N	10	2	1.65	87933-2008	N	20	2	1.65	87933-3008	N	30	2	1.65
	87933-1009	N	10	3	1.65	87933-2009	N	20	3	1.65	87933-3009	N	30	3	1.65
	87933-1010	N	10	4	1.65	87933-2010	N	20	4	1.65	87933-3010	N	30	4	1.65
E	87933-1011	N	10	1	1.91	87933-2011	N	20	1	1.91	87933-3011	N	30	1	1.91
	87933-1012	N	10	2	1.91	87933-2012	N	20	2	1.91	87933-3012	N	30	2	1.91
	87933-1013	N	10	3	1.91	87933-2013	N	20	3	1.91	87933-3013	N	30	3	1.91
	87933-1014	N	10	4	1.91	87933-2014	N	20	4	1.91	87933-3014	N	30	4	1.91
	87933-1015	N	10	1	3.05	87933-2015	N	20	1	3.05	87933-3015	N	30	1	3.05
D	87933-1016	N	10	2	3.05	87933-2016	N	20	2	3.05	87933-3016	N	30	2	3.05
	87933-1017	N	10	3	3.05	87933-2017	N	20	3	3.05	87933-3017	N	30	3	3.05
	87933-1018	N	10	4	3.05	87933-2018	N	20	4	3.05	87933-3018	N	30	4	3.05

C	P/N WITH CAP PACKED IN TUBE	PEG	CKT SIZE	PLATING OPTIONS	DIM. M
		87933-4007	N	40	1
	87933-4008	N	40	2	1.65
	87933-4009	N	40	3	1.65
	87933-4010	N	40	4	1.65
B	87933-4011	N	40	1	1.91
	87933-4012	N	40	2	1.91
	87933-4013	N	40	3	1.91
	87933-4014	N	40	4	1.91
A	87933-4015	N	40	1	3.05
	87933-4016	N	40	2	3.05
	87933-4017	N	40	3	3.05
	87933-4018	N	40	4	3.05

ADD. OPTION EC NO: S2008-0216 DRWN: CWLAM CHKD: KWLEE APPR: KWLEE	QUALITY SYMBOLS =0 =0	GENERAL TOLERANCES (UNLESS SPECIFIED)		DIMENSION STYLE MM ONLY		SCALE NTS	DESIGN UNITS METRIC	THIRD ANGLE PROJECTION	
				DRAWN BY DATE	TITLE 1.27MM PITCH SMT HEADER WITH PEG AND CAP PACKED IN TUBE				
				CHECKED BY DATE	MOLEX INCORPORATED				
				APPROVED BY DATE	SD-87933-014				
		DRAFT WHERE APPLICABLE MUST REMAIN WITHIN DIMENSIONS		SEE TABLE		DOCUMENT NO. SD-87933-014		SHEET NO. 3 OF 5	
SIZE A3		THIS DRAWING CONTAINS INFORMATION THAT IS PROPRIETARY TO MOLEX INCORPORATED AND SHOULD NOT BE USED WITHOUT WRITTEN PERMISSION							

	10	9	8	7	6	5	4	3	2	1					
	P/N WITH CAP PACKED IN TUBE	PEG	CKT SIZE	PLATING OPTIONS	DIM. M	P/N WITH CAP PACKED IN TUBE	PEG	CKT SIZE	PLATING OPTIONS	DIM. M	P/N WITH CAP PACKED IN TUBE	PEG	CKT SIZE	PLATING OPTIONS	DIM. M
F	87933-5007	Y	50	1	1.65	87933-6007	N	60	1	1.65	87933-6807	N	68	1	1.65
	87933-5008	Y	50	2	1.65	87933-6008	N	60	2	1.65	87933-6808	N	68	2	1.65
	87933-5009	Y	50	3	1.65	87933-6009	N	60	3	1.65	87933-6809	N	68	3	1.65
	87933-5010	Y	50	4	1.65	87933-6010	N	60	4	1.65	87933-6810	N	68	4	1.65
	87933-5011	Y	50	1	1.91	87933-6011	N	60	1	1.91	87933-6811	N	68	1	1.91
E	87933-5012	Y	50	2	1.91	87933-6012	N	60	2	1.91	87933-6812	N	68	2	1.91
	87933-5013	Y	50	3	1.91	87933-6013	N	60	3	1.91	87933-6813	N	68	3	1.91
	87933-5014	Y	50	4	1.91	87933-6014	N	60	4	1.91	87933-6814	N	68	4	1.91
	87933-5015	Y	50	1	3.05	87933-6015	N	60	1	3.05	87933-6815	N	68	1	3.05
	87933-5016	Y	50	2	3.05	87933-6016	N	60	2	3.05	87933-6816	N	68	2	3.05
D	87933-5017	Y	50	3	3.05	87933-6017	N	60	3	3.05	87933-6817	N	68	3	3.05
	87933-5018	Y	50	4	3.05	87933-6018	N	60	4	3.05	87933-6818	N	68	4	3.05

	P/N WITH CAP PACKED IN TUBE	PEG	CKT SIZE	PLATING OPTIONS	DIM. M
C	87933-7007	N	70	1	1.65
	87933-7008	N	70	2	1.65
	87933-7009	N	70	3	1.65
	87933-7010	N	70	4	1.65
	87933-7011	N	70	1	1.91
B	87933-7012	N	70	2	1.91
	87933-7013	N	70	3	1.91
	87933-7014	N	70	4	1.91
	87933-7015	N	70	1	3.05
A	87933-7016	N	70	2	3.05
	87933-7017	N	70	3	3.05
	87933-7018	N	70	4	3.05

ADD. OPTION EC NO: S2008-0216 DRWN: CWLAM CHKD: KWLEE APPR: KWLEE	QUALITY SYMBOLS  = 0  = 0.20	GENERAL TOLERANCES (UNLESS SPECIFIED)		DIMENSION STYLE MM ONLY		SCALE NTS	DESIGN UNITS METRIC	 THIRD ANGLE PROJECTION	
				DRAWN BY DATE BOKOK 2006/02/14		TITLE 1.27MM PITCH SMT HEADER WITH PEG AND CAP PACKED IN TUBE			
				CHECKED BY DATE BOKOK 2006/03/27		MOLEX INCORPORATED			
				APPROVED BY DATE PTL IM 2006/03/29		MATERIAL NO.		DOCUMENT NO. SD-87933-014	
A2		DRAFT WHERE APPLICABLE MUST REMAIN WITHIN DIMENSIONS		SEE TABLE		THIS DRAWING CONTAINS INFORMATION THAT IS PROPRIETARY TO MOLEX INCORPORATED AND SHOULD NOT BE USED WITHOUT WRITTEN PERMISSION			

	10	9	8	7	6	5	4	3	2	1					
F	P/N WITH CAP PACKED IN TUBE	PEG	CKT SIZE	PLATING OPTIONS	DIM. M	P/N WITH CAP PACKED IN TUBE	PEG	CKT SIZE	PLATING OPTIONS	DIM. M	P/N WITH CAP PACKED IN TUBE	PEG	CKT SIZE	PLATING OPTIONS	DIM. M
		87933-8007	N	80	1	1.65	87933-9007	N	90	1	1.65	87933-1207	N	100	1
	87933-8008	N	80	2	1.65	87933-9008	N	90	2	1.65	87933-1208	N	100	2	1.65
	87933-8009	N	80	3	1.65	87933-9009	N	90	3	1.65	87933-1209	N	100	3	1.65
	87933-8010	N	80	4	1.65	87933-9010	N	90	4	1.65	87933-1211	N	100	4	1.65
E	87933-8011	N	80	1	1.91	87933-9011	N	90	1	1.91	87933-1211	N	100	1	1.91
	87933-8012	N	80	2	1.91	87933-9012	N	90	2	1.91	87933-1212	N	100	2	1.91
	87933-8013	N	80	3	1.91	87933-9013	N	90	3	1.91	87933-1213	N	100	3	1.91
	87933-8014	N	80	4	1.91	87933-9014	N	90	4	1.91	87933-1214	N	100	4	1.91
	87933-8015	N	80	1	3.05	87933-9015	N	90	1	3.05	87933-1215	N	100	1	3.05
D	87933-8016	N	80	2	3.05	87933-9016	N	90	2	3.05	87933-1216	N	100	2	3.05
	87933-8017	N	80	3	3.05	87933-9017	N	90	3	3.05	87933-1217	N	100	3	3.05
	87933-8018	N	80	4	3.05	87933-9018	N	90	4	3.05	87933-1218	N	100	4	3.05



ADD. OPTION EC NO: S2008-0216 DRWN: CWLAM CHKD: KWLEE APPR: KWLEE	2007/10/10 2007/10/11 2007/10/29	DESCRIPTION REV	QUALITY SYMBOLS	GENERAL TOLERANCES (UNLESS SPECIFIED) <table border="1"> <thead> <tr> <th></th> <th>mm</th> <th>INCH</th> </tr> </thead> <tbody> <tr> <td>4 PLACES</td> <td>± ---</td> <td>± ---</td> </tr> <tr> <td>3 PLACES</td> <td>± ---</td> <td>± ---</td> </tr> <tr> <td>2 PLACES</td> <td>± 0.20</td> <td>± ---</td> </tr> <tr> <td>1 PLACE</td> <td>± ---</td> <td>± ---</td> </tr> <tr> <td colspan="3">ANGULAR ± 3 °</td> </tr> </tbody> </table>		mm	INCH	4 PLACES	± ---	± ---	3 PLACES	± ---	± ---	2 PLACES	± 0.20	± ---	1 PLACE	± ---	± ---	ANGULAR ± 3 °			DIMENSION STYLE MM ONLY	SCALE NTS	DESIGN UNITS METRIC	THIRD ANGLE PROJECTION
					mm	INCH																				
			4 PLACES		± ---	± ---																				
			3 PLACES		± ---	± ---																				
2 PLACES	± 0.20	± ---																								
1 PLACE	± ---	± ---																								
ANGULAR ± 3 °																										
DRAWN BY LNG	DATE 2006/02/14	TITLE 1.27MM PITCH SMT HEADER WITH PEG AND CAP PACKED IN TUBE																								
CHECKED BY BOKOK	DATE 2006/03/27	MOLEX INCORPORATED																								
APPROVED BY PTL IM	DATE 2006/03/29	MATERIAL NO. SEE TABLE	DOCUMENT NO. SD-87933-014	SHEET NO. 5 OF 5																						