

Ledtech SINGLE DIGIT DISPLAY

0.8" SINGLE DIGIT DISPLAY Electrical/Optical Characteristics at $T_A=25^\circ\text{C}$ & $I_F=20\text{mA}$

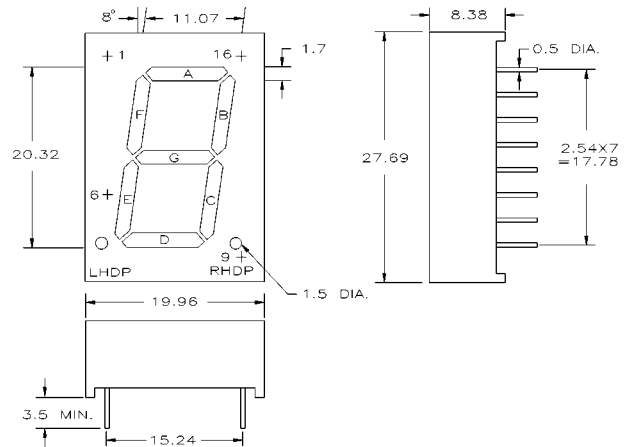
CHIP COLOR	0.8 inch SINGLE DIGIT		0.8 inch SINGLE DIGIT		λ_p (nm)	V_F (V)	I_V (mcd)	
	COMMON ANODE	COMMON CATHODE	COMMON ANODE	COMMON CATHODE			TYP.	TYP.
GREEN	LA8021-11	LC8021-11	LA8021-21	LC8021-21	572	2.1	4.5	7.4
YELLOW	LA8031-11	LC8031-11	LA8031-21	LC8031-21	589	2.1	3.7	6.1
ORANGE	LA8041-11	LC8041-11	LA8041-21	LC8041-21	630	2.1	5.1	8.6
ORANGE	LA8041R-11	LC8041R-11	LA8041R-21	LC8041R-21	630	2.1	5.1	8.6
RED	LA8071-11-M1	LC8071-11-M1	LA8071- 21-M1	LC8071- 21-M1	660	1.7	12.1	20.1
RED	LA8051-11	LC8051-11	LA8051- 21	LC8051- 21	700	2.1	1.4	2.3

LA80X1-11 COMMON ANODE PIN

NO.	FUNCTION
1.	CATHODE A
2.	CATHODE F
3.	COMMON ANODE
4.	CATHODE E
5.	COMMON ANODE
6.	CATHODE LHDP
7.	NO PIN
8.	NO PIN
9.	CATHODE RHDP
10.	CATHODE D
11.	COMMON ANODE
12.	CATHODE C
13.	CATHODE G
14.	CATHODE B
15.	NO PIN
16.	COMMON ANODE

LC80X1-11 COMMON CATHODE PIN

NO.	FUNCTION
1.	ANODE A
2.	ANODE F
3.	COMMON CATHODE
4.	ANODE E
5.	COMMON CATHODE
6.	ANODE LHDP
7.	NO PIN
8.	NO PIN
9.	ANODE RHDP
10.	ANODE D
11.	COMMON CATHODE
12.	ANODE C
13.	ANODE G
14.	ANODE B
15.	NO PIN
16.	COMMON CATHODE

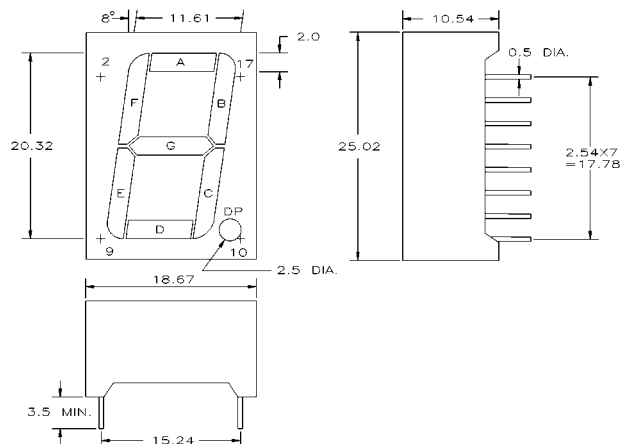


LA80X1- 21 COMMON ANODE PIN

NO.	FUNCTION
1.	NO PIN
2.	CATHODE A
3.	CATHODE F
4.	COMMON ANODE
5.	CATHODE E
6.	NO PIN
7.	CATHODE E
8.	NO PIN
9.	CATHODE D
10.	CATHODE DP
11.	CATHODE D
12.	COMMON ANODE
13.	CATHODE C
14.	CATHODE G
15.	CATHODE B
16.	NO PIN
17.	COMMON ANODE
18.	NO PIN

LC80X1- 21 COMMON CATHODE PIN

NO.	FUNCTION
1.	NO PIN
2.	ANODE A
3.	ANODE F
4.	COMMON CATHODE
5.	ANODE E
6.	NO PIN
7.	ANODE E
8.	NO PIN
9.	COMMON CATHODE
10.	ANODE DP
11.	ANODE D
12.	COMMON CATHODE
13.	ANODE C
14.	ANODE G
15.	ANODE B
16.	NO PIN
17.	COMMON CATHODE
18.	NO PIN



NOTES : 1.ALL DIMENSIONS ARE IN mm, TOLERANCE IS $\pm 0.25\text{mm}$ (0.01") UNLESS OTHERWISE NOTED.
2.THE SLOPE ANGLE OF ANY PIN MAY BE $\pm 5^\circ$ MAX.