

SIX-CHANNEL AUDIO AMPLIFIER

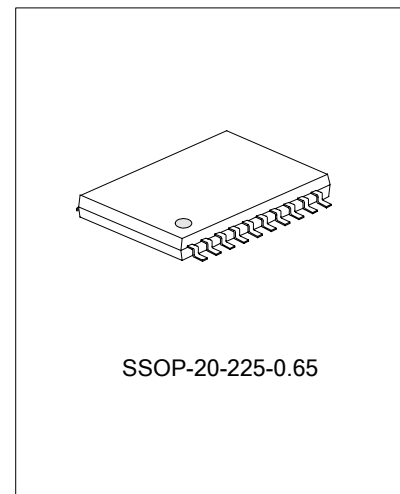
DESCRIPTION

SD7401 is a 6-channel audio amplifier with built-in microphone input amplifier. High quality audio output is available through simple peripheral circuit and the amplifier gain can be adjusted flexibly by external resistor.

It is widely used as pre-amplification in various multi-channel audio systems.

FEATURES

- * BICMOS technology
- * Dual power supply (+5V/-12V)
- * Built-in voltage regulation module
- * Low distortion
- * Standby function
- * Mute function
- * ON/OFF POP noise suppression



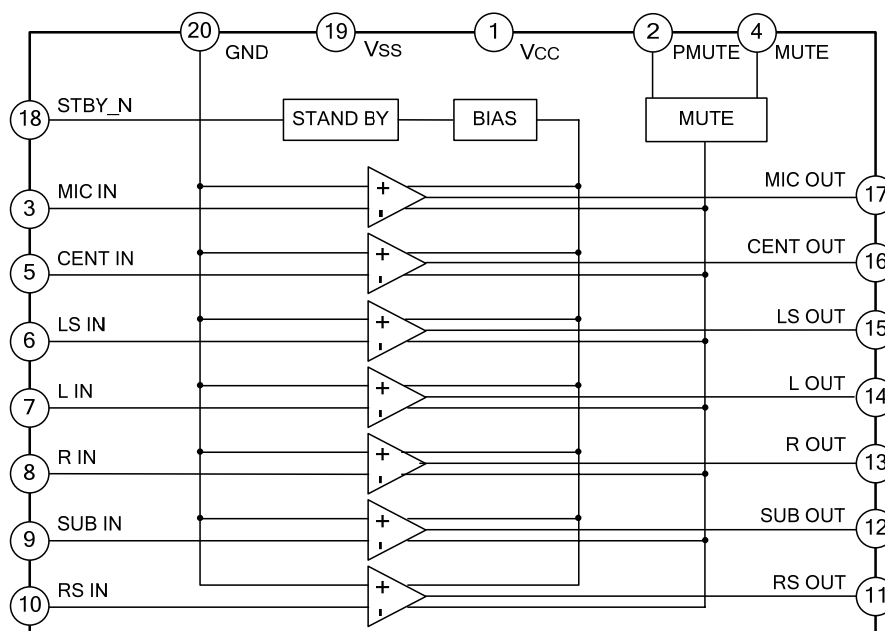
APPLICATIONS

- * Audio amplification system, such as VCD/DVD

ORDERING INFORMATION

Part No.	Package	Marking
SD7401	SSOP-20-225-0.65	SD7401

BLOCK DIAGRAM



ABSOLUTE MAXIMUM RATINGS (Unless otherwise specified, $T_{amb} = 25^{\circ}\text{C}$)

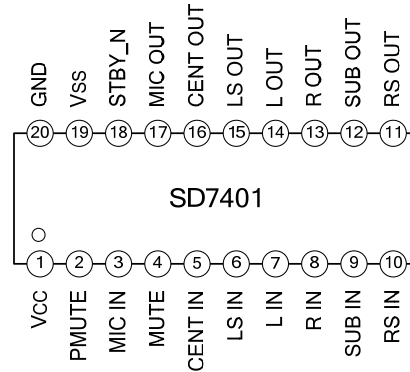
Characteristics	Symbol	Rating	Unit
Supply Voltage (V_{CC-VSS})	$V_{CC/VSS}$	+6/-1	V
Operating Temperature	T_{opr}	-20~85	$^{\circ}\text{C}$
Storage Temperature	T_{stg}	-40~125	$^{\circ}\text{C}$

Note 1: Tolerable voltage is decided by external resistor because of built-in voltage regulator at negative power supply.

ELECTRICAL CHARACTERISTIC (Unless otherwise specified, $V_{CC} = 5\text{V}$, $V_{SS} = -12\text{V}$, $R_L = 10\text{k}\Omega$, $T_{amb} = 25^{\circ}\text{C}$, $f = 1\text{kHz}$)

Characteristics	Symbol	Test Condition	Min.	Typ.	Max.	Unit
Operating Voltage	V_{CC}		--	5	--	V
	V_{SS}		--	-12	--	V
Operating Current	I_{CC}		2.0	2.2	2.5	mA
	I_{SS}	External resistor 470 Ω at negative power supply	14.7	14.8	14.9	mA
Standby Current	I_{STBY}	STBY_N connect toVSS	550	600	640	μA
Max. Output Voltage	V_{omax}	$f_{in}=1\text{kHz}$; $R_L=10\text{k}\Omega$; THD=0.1%	2.50	2.51	2.53	Vrms
Audio Amplitude Response		20Hz~20kHz, $V_o=2\text{Vrms}$	7.7	8.3	8.5	dB
Voltage Gain	G	No input resistor, THD=0.1%	--	11.5	--	dB
Total Harmonic Distortion	THD	$f_{in}=1\text{kHz}$; $R_L=10\text{k}\Omega$; $V_o=2\text{Vrms}$	--	0.05	0.06	dB
Signal-Noise Ratio	SNR	$f_{in}=1\text{kHz}$; $R_L=10\text{k}\Omega$; $V_o=2\text{Vrms}$	75	76	78	dB
Dynamic Range	DR	$f_{in}=1\text{kHz}$, $V_{in}=-60\text{dB}$	78	79	80	dB
Mute Restrain	MR	$f_{in}=1\text{kHz}$; $R_L=10\text{k}\Omega$; $V_o=2\text{Vrms}$	75	77	80	dB
Channel Separation	CT	$f_{in}=1\text{kHz}$; $R_L=10\text{k}\Omega$; $V_o=2\text{Vrms}$	62	65	70	dB
Channel Balance	CB	$f_{in}=1\text{kHz}$; $R_L=10\text{k}\Omega$; $V_o=2\text{Vrms}$	--	--	0.2	dB
Input Impedance	R_i	$f_{in}=1\text{kHz}$, $R_L=10\text{k}\Omega$	--	27.6	--	Ω

PIN CONFIGURATION

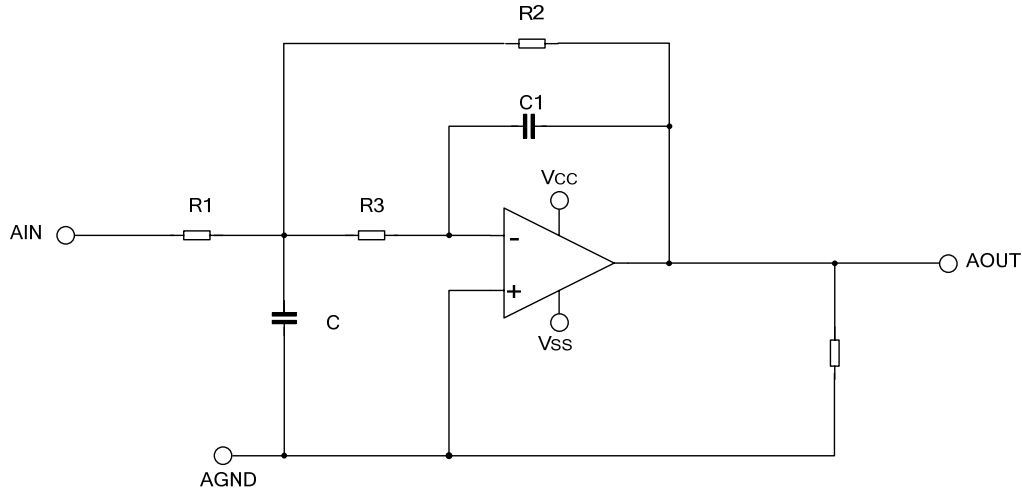


PIN DESCRIPTION

Pin No.	Pin Name	I/O	Pin Description
1	Vcc	--	Positive power supply
2	PMUTE	I/O	POP restrain control
3	MIC IN	I	Microphone input
4	MUTE	I	Mute control
5	CENT IN	I	Center input
6	LS IN	I	Left surround input
7	L IN	I	Left channel input
8	R IN	I	Right channel input
9	SUB IN	I	Subwoofer input
10	RS IN	I	Right surround input
11	RS OUT	O	Right surround output
12	SUB OUT	O	Subwoofer output
13	R OUT	O	Right channel output
14	L OUT	O	Left channel output
15	LS OUT	O	Left surround output
16	CENT OUT	O	Center output
17	MIC OUT	O	Microphone output
18	STBY_N	I	Standby control
19	Vss	--	Negative power supply
20	GND	--	Ground

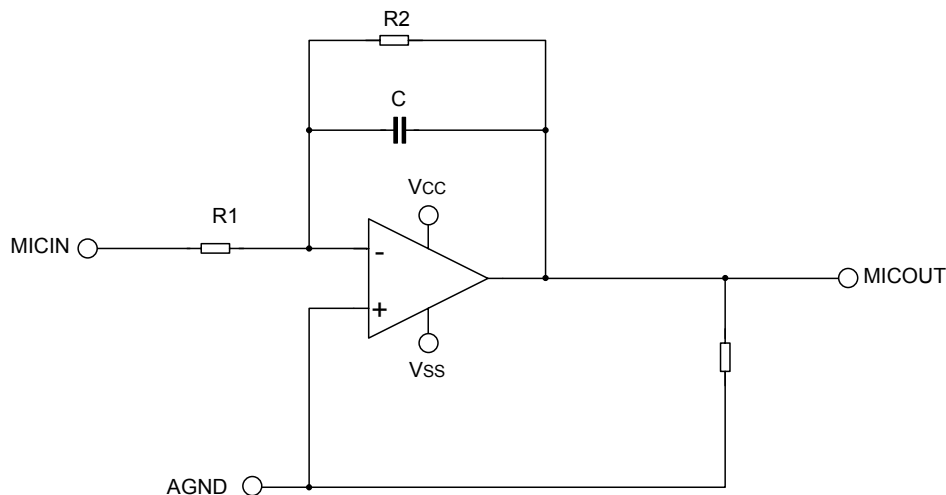
FUNCTION DESCRIPTION

1. Channel amplifier



The second-order filter structure shown as above is adopted for 6-channel audio amplifier, with in-band gain of about 12dB and -3dB bandwidth of 40kHz above which is well meet audio requirements. As principle structure, in-band gain is decided by: $G = -\frac{R_2}{R_1}$, thus, gain can be adjusted by changing R1.

2. Microphone amplifier



The proportional amplifier shown as above is adopted for microphone amplifier with setting gain of about 29dB, and capacitor c is used for high frequency signal filtering. As described above, the gain can be also adjusted by changing R1.

3. Mute & ON/OFF POP noise control

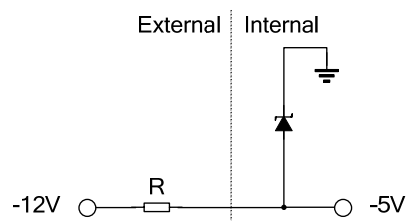
Mute control pin (pin 4) controls 6-channel as mute by internal switches. It comes to mute mode when pin 4 is

connected to Vcc (high level) and comes to normal mode when connected to ground.

Pin 2 is used for POP noise restrain by connecting an external capacitor which can be increased appropriately for better POP noises restrain effect. In general, POP noise restrain is realized by mute control. Mute pulse is generated when turned on for zero output and ended after powered on for normal output; mute pulse is also generated when power supply is threshold value below during turned off for zero output. Thus, pop noise is restrained during power on/down.

4. Power supply

The built-in voltage regulator for negative power supply is shown as below. An external resistor R guarantees voltage stability near -5 V on pin 19 and the chip power supply is $\pm 5V$ for normal operation. Because the negative power to provide current is decided by this resistance, if the system output is light load, this resistance can be properly increased to reduce operate current, but the voltage of PIN 19 must be maintained and can not drop significantly.

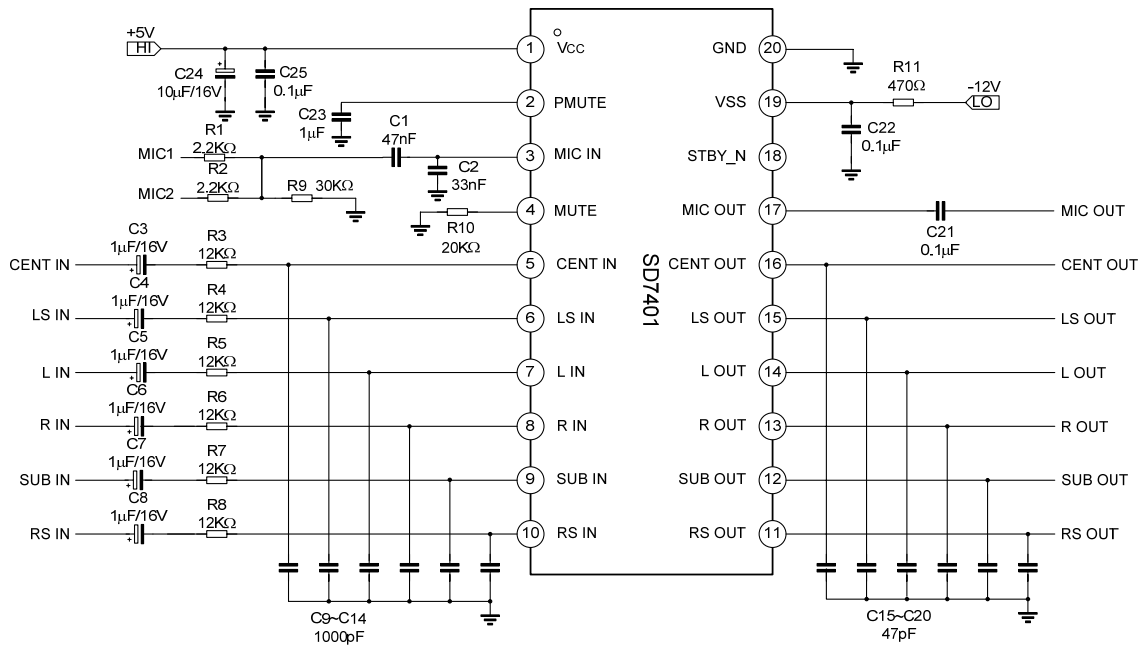


5. System standby

The pin STBY_N controls system entering standby mode by turning off internal amplifier bias circuit. When this pin is connected to Vss, system enters standby mode, and when floated, system works normally.

Note: internal voltage regulating circuit still works in standby mode and supplies working current.

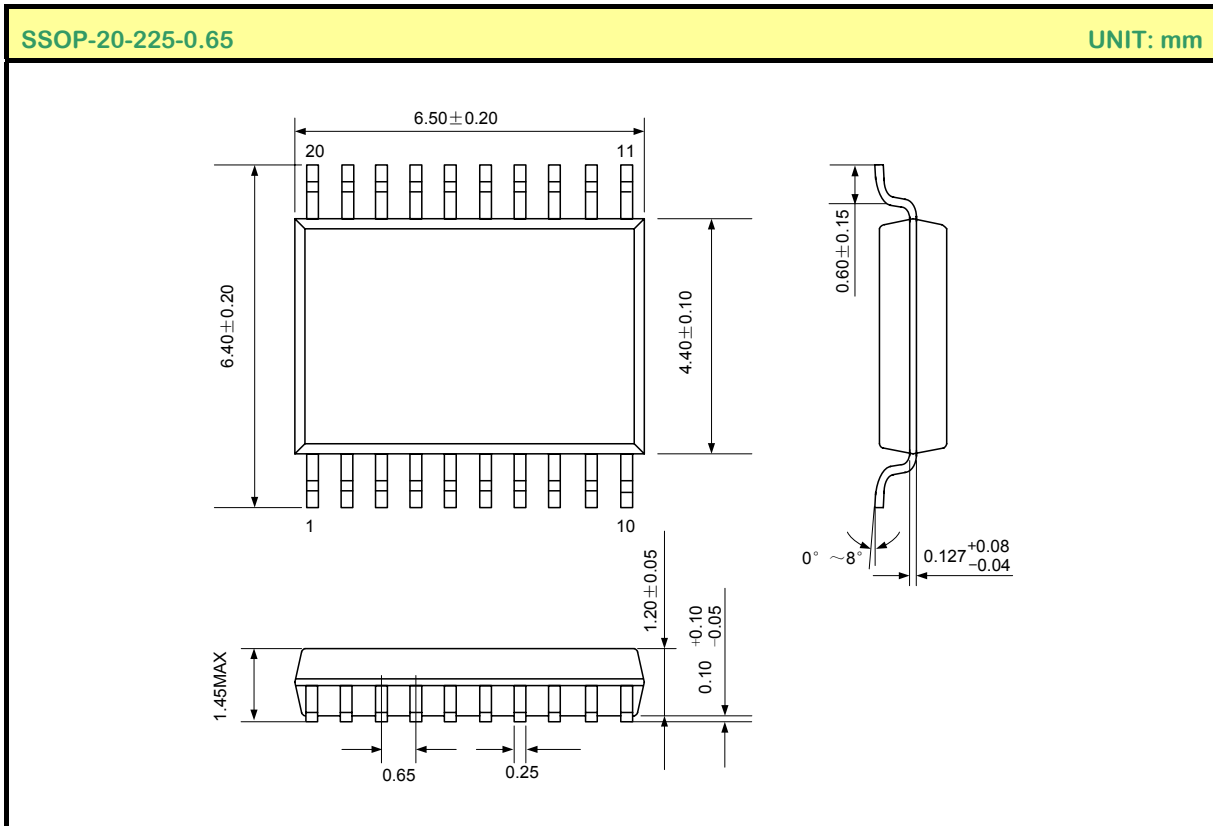
TYPICAL APPLICATION CIRCUIT



PACKAGE OUTLINE

SSOP-20-225-0.65

UNIT: mm



MOS DEVICES OPERATE NOTES:

Electrostatic charges may exist in many things. Please take following preventive measures to prevent effectively the MOS electric circuit as a result of the damage which is caused by discharge:

- The operator must put on wrist strap which should be earthed to against electrostatic.
- Equipment cases should be earthed.
- All tools used during assembly, including soldering tools and solder baths, must be earthed.
- MOS devices should be packed in antistatic/conductive containers for transportation.

Note: Silan reserves the right to make changes without notice in this specification for the improvement of the design and performance.
Silan will supply the best possible product for customers.