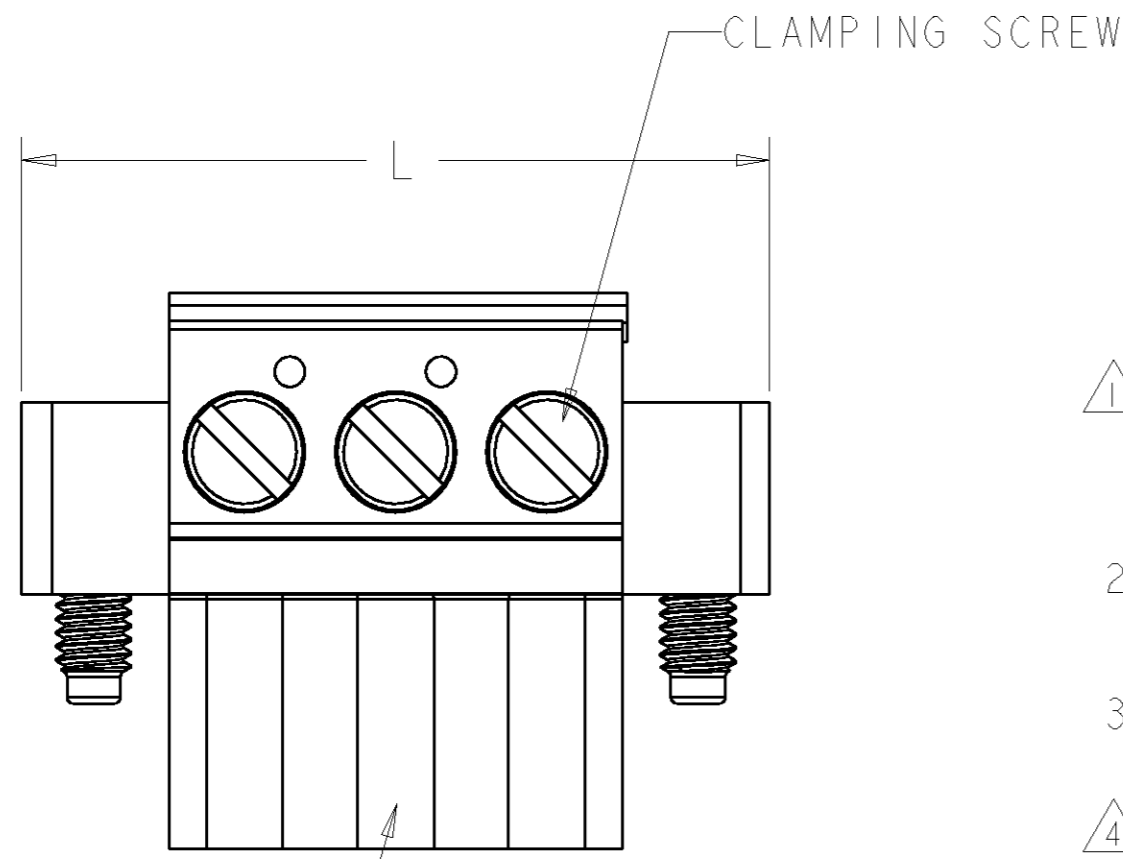
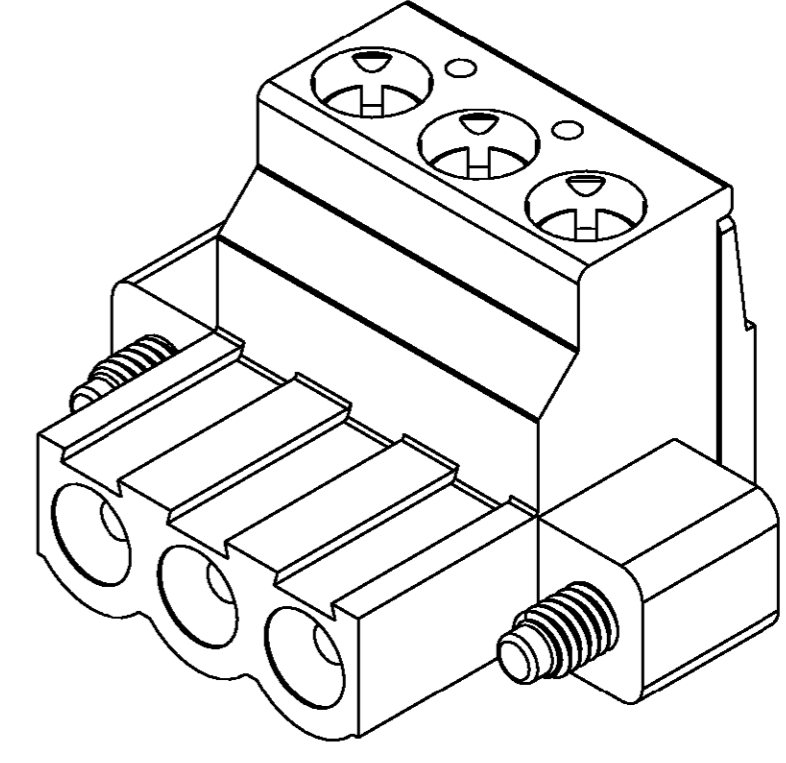
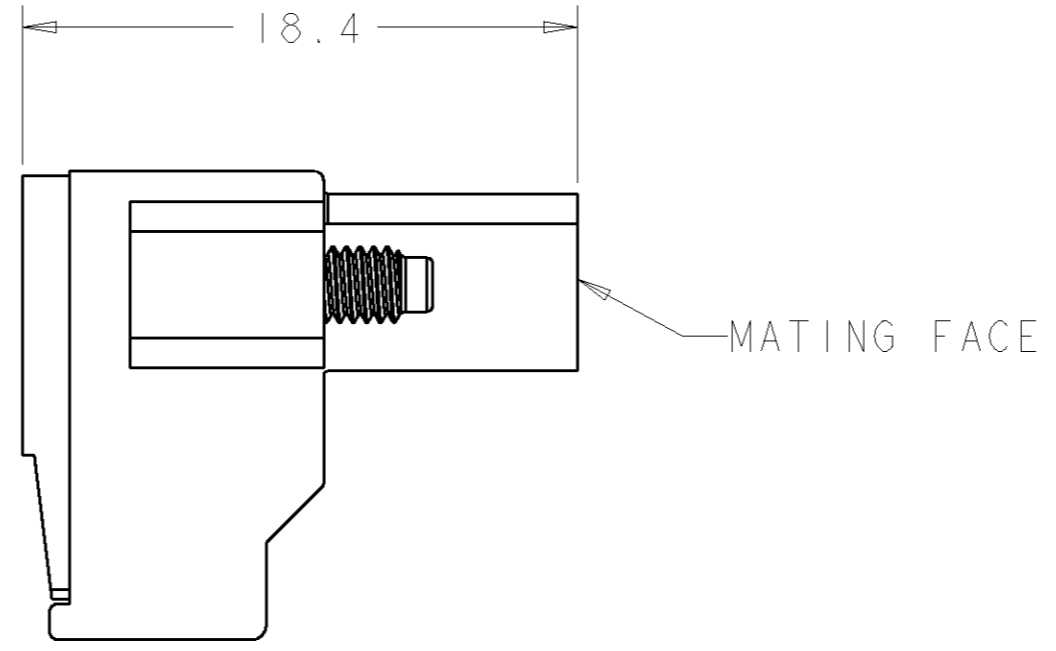
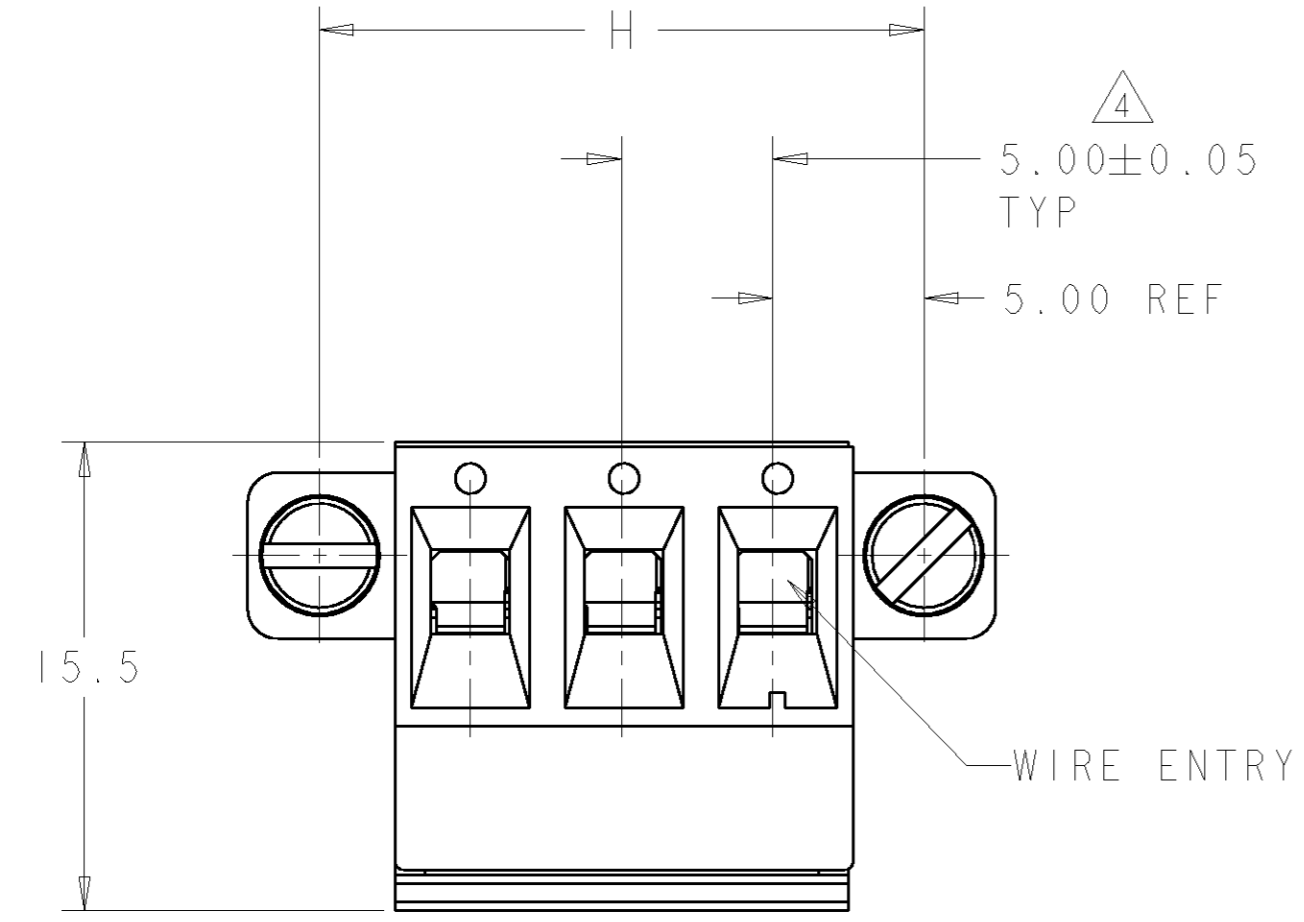


THIS DRAWING IS UNPUBLISHED. RELEASED FOR PUBLICATION 20  
 © COPYRIGHT 20 BY TYCO ELECTRONICS CORPORATION. ALL RIGHTS RESERVED.

LOC	DIST	REVISIONS					
FT	0	P	LTR	DESCRIPTION	DATE	DWN	APVD
		A		RELEASED	12FEB2001	SW	-
		B		REVISED PER 063B-0303-01	14JUN2001	EZ	DB



- △ MATERIALS AND FINISH:  
 HOUSING: PA 6-6, UL 94-V0, COLOR: GREEN.  
 TERMINAL: PHOSPHOR BRONZE, TIN PLATED.
- 2. RECOGNIZED UNDER THE COMPONENT PROGRAM OF UNDERWRITERS LABORATORIES INC. FILE No. E60677.
- 3. IMQ CERTIFICATE WITH SURVEILLANCE ON CONFORMITY WITH IEC 998-1/998-2-1.
- △ NOT CUMULATIVE TOLERANCE.

49.8	45.0	8	796858-8
44.8	40.0	7	796858-7
39.8	35.0	6	796858-6
34.8	30.0	5	796858-5
29.8	25.0	4	796858-4
24.8	20.0	3	796858-3
19.8	15.0	2	796858-2
L	H	NO. OF POSN	PART NUMBER

POLARIZATION KEY SLOT

THIS DRAWING IS A CONTROLLED DOCUMENT FOR TYCO ELECTRONICS CORPORATION. IT IS SUBJECT TO CHANGE AND THE CONTROLLING ENGINEERING ORGANIZATION SHOULD BE CONTACTED FOR THE LATEST REVISION.		DWN S. WELDON 12FEB2001	Tyco Electronics Harrisburg, PA 17105-3608	
DIMENSIONS: mm		CHK D. BIEVENOUR 12FEB2001	NAME TERMINAL BLOCK, PLUG, 90 DEGREE, WITH FLANGE 5.00mm PITCH	
TOLERANCES UNLESS OTHERWISE SPECIFIED: 0 PLC ± 1 PLC ±0.2 2 PLC ±0.00 3 PLC ±0.000 4 PLC ±0.0000 ANGLES ±		APVD D. BIEVENOUR 12FEB2001		
MATERIAL		PRODUCT SPEC -	SIZE A2	CAGE CODE 00779
FINISH		APPLICATION SPEC -	DRAWING NO 796858	RESTRICTED TO -
CUSTOMER DRAWING		WEIGHT -	SCALE 4:1	SHEET 1 OF 1