

**PRINCIPAL SPECIFICATIONS**

Standard Model Number for Vapor Phase & IR Insertion	Freq. Range, MHz	Freq. Perform., MHz	Isolation, dB,		Insertion Loss, dB,		Phase Balance,		Amplitude Balance, dB,		VSWR In/Output	
			Min.	Typ.	Max. Typ.	Max. Typ.	Max. Typ.	Max. Typ.	Max. Typ.	Max. Typ.		
PDG-3B-150	1 - 300	2 - 200	28	32	1.0	0.8	3°	2°	0.3	0.15	1.35:1	1.2:1
		1 - 300	20	25	1.2	1.0	4°	3°	0.4	0.2	1.6:1	1.3:1
PDG-3B-530	50 - 1000	50 - 800	20	25	1.5	0.8	8°	3°	0.5	0.3	1.5:1	1.3:1
		800 - 1000	20	25	3.0	1.5	10°	5°	0.7	0.5	1.7:1	1.4:1

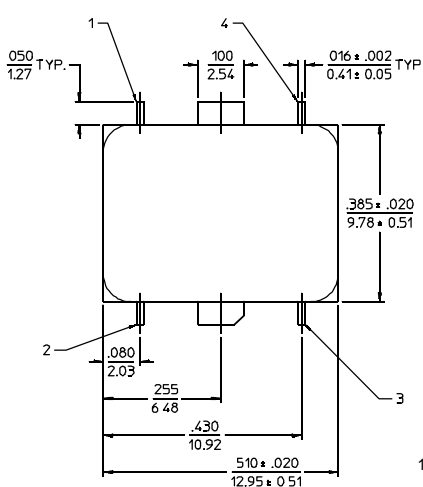
**General Notes:**

1. The PDG-3B series of 3-way Power Dividers/ Combiners covers 1 to 1000 MHz using lumped element circuits to minimize size while providing high performance. The surface mount housing is suited to applications where inherent package reliability and hermeticity are critical. All units are fully welded.

**GENERAL SPECIFICATIONS**

Coupling, theoretical: - 4.8 dB nom.  
 Impedance: 50 Ω nom.  
 Internal Load Dissipation: 50 mW max.  
 CW Input Power : 1 Watt max.  
 (When used as divider with 1.2:0 VSWR<sub>out</sub>)  
 Operating Temp. Range: - 55° to + 85°C

**Package Outline**



Tab No	Function
1	Output
2	Output
3	Input
4	Output

- NOTES:
1. Tolerance on 3 place decimals ±.010(.25) except as noted.
  2. Dimensions in inches over mm (to nearest 0.01 mm).
  3. All unnumbered tabs are case ground.
  4. Weight, nominal: 0.15 oz. (4.3 g)

29Feb96

