

PLEASE CHECK WWW.MOLEX.COM FOR LATEST PART INFORMATION

Part Number: [0350979712](#)
Status: **Active**
Description: MP-Lock™ Quick Disconnect, Female, for 20-26 AWG (0.50-0.12mm²;) Wire, Metal Strip, Tab 2.79 by 0.50mm (.110 by .020"), Pre-Tin Plated

Documents:

Drawing (PDF)	Product Specification PS-35506-001 (PDF)
Product Specification PS-35097-002 (PDF)	RoHS Certificate of Compliance (PDF)

Agency Certification

UL E92853

General

Product Family	Quick Disconnects
Series	35097
Crimp Quality Equipment	Yes
Product Name	MP-Lock™
Type	Quick Disconnect

Physical

Barrel Type	Open
Gender	Female
Glow-Wire Compliant	No
Insulation	None
Lock to Mating Part	None
Material - Metal	Brass
Material - Plating Mating	Tin
Material - Plating Termination	Tin
Orientation	Straight
Packaging Type	Reel
Plating min: Mating (µin)	32.00
Plating min: Mating (µm)	0.800
Plating min: Termination (µin)	32.00
Plating min: Termination (µm)	0.80
Polarized to Mating Part	No
Tab Thickness	0.51mm (.020")
Tab Width	2.79mm (.110")
Temperature Range - Operating	-40°C to +120°C
Termination Interface: Style	Crimp or Compression
Wire Insulation Diameter	2.80mm (.110") max.
Wire Size AWG	20, 22, 24, 26
Wire Size mm ²	0.12 - 0.50

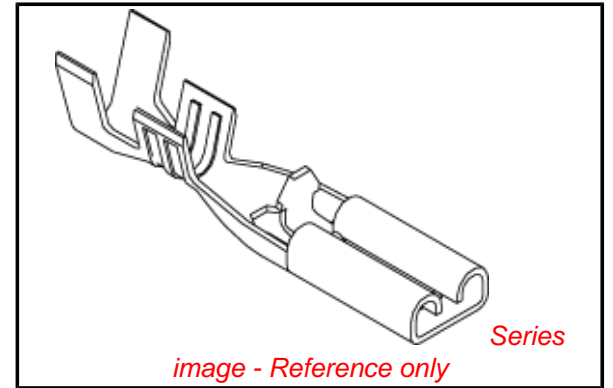
Electrical

Voltage - Maximum 250V

Material Info

Reference - Drawing Numbers

Product Specification	PS-35097-002, PS-35506-001
Sales Drawing	SD-35097-9*12



EU RoHS

ELV and RoHS Compliant
REACH SVHC Contains SVHC: No
Halogen-Free Status

China RoHS



Need more information on product environmental compliance?

Email productcompliance@molex.com
 For a multiple part number RoHS Certificate of Compliance, [click here](#)

Please visit the [Contact Us](#) section for any non-product compliance questions.

Search Parts in this Series

[35097Series](#)

Use With

2.80mm (.110") Tab

Application Tooling | FAQ

Tooling specifications and manuals are found by selecting the products below. Crimp Height Specifications are then contained in the Application Tooling Specification document.

Global

Description	Product #
Hand Tool for .110 MP-Lock™ Crimp Terminals	0638197100

Japan

Description	Product #
End-Feed Applicator	0573813100

PLEASE CHECK WWW.MOLEX.COM FOR LATEST PART INFORMATION

DWG. NO.

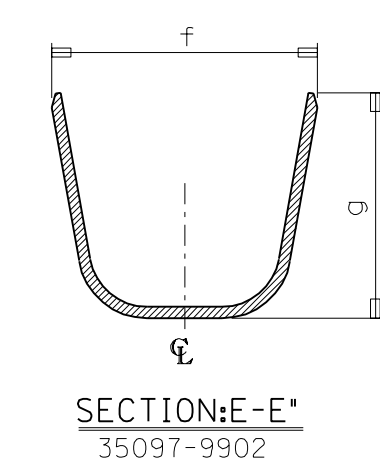
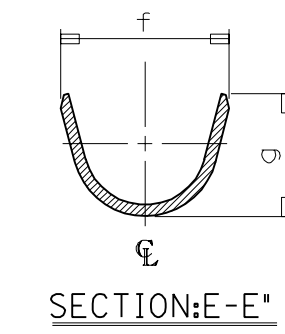
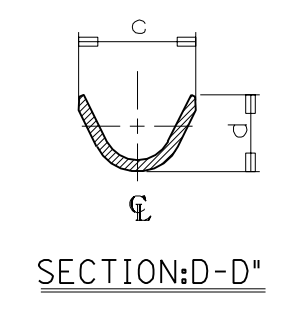
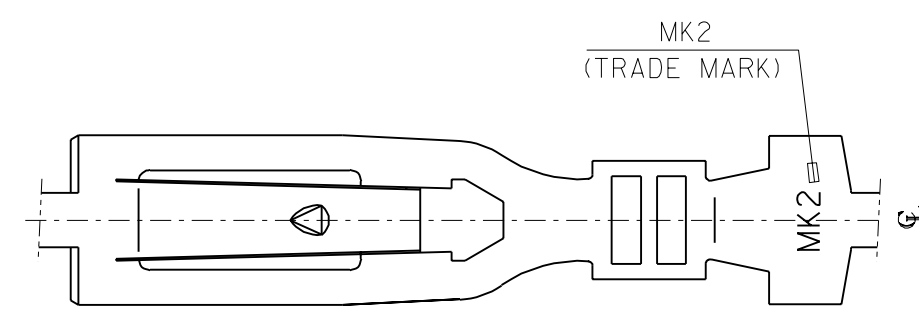
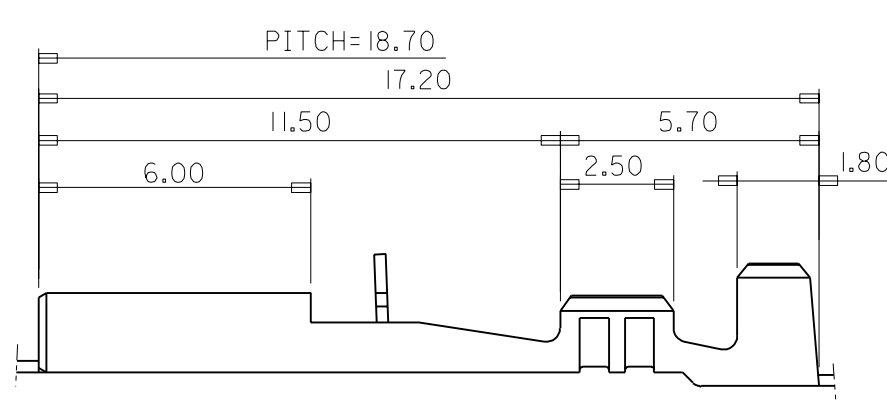
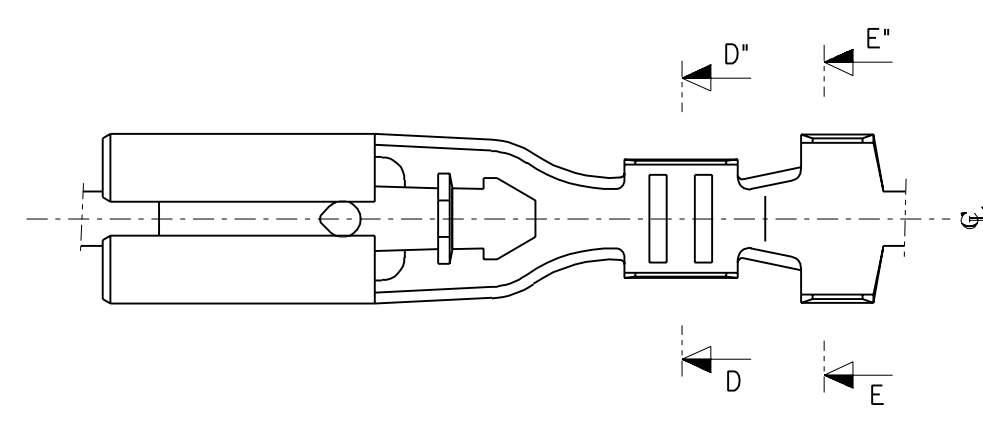
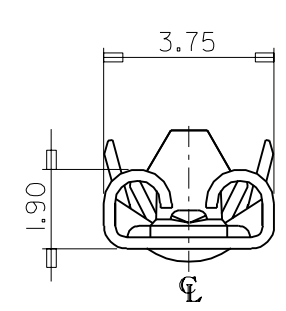
SIMILAR ITEM

PROJECT NO.

C

B

DO NOT SCALE DRAWING DIMENSION IN METRIC



- NOTES**
- MATERIAL: TIN-PLATED BRASS 0.25mm THICK'
 - FINISH: PRE-TIN PLATING
 - MATING TAB: 0.5(+) \times 2.8(w)

ENG.NO.	c	d	f	g	WIRE RANGE
35097-9712	2.0	1.85	3.3	3.0	AWG #26-#20
35097-9812	2.8	2.75	4.0	4.1	AWG #20-#16
35097-9912	2.8	2.75	5.9	5.0	AWG #20 \times 2

REVISED EC NO. KOR2000-0090 DRWN: W.Y.YANG 00/11/08 CH'K: APPR:	DESCRIPTION MAJOR \blacktriangledown = 0 CRITICAL \blacktriangle = 0	GENERAL TOLERANCES: (UNLESS SPECIFIED)		SCALE 6:1	DESIGN UNITS <input checked="" type="checkbox"/> mm <input type="checkbox"/> INCH	THIRD ANGLE PROJECTION	DIMENSIONS: <input type="checkbox"/> mm <input type="checkbox"/> INCH <input checked="" type="checkbox"/> mm ONLY	SHT REV	
		4 PLACES $\pm 0.$ $\pm.$ 3 PLACES $\pm 0.$ $\pm.$ 2 PLACES ± 0.30 $\pm.$ 1 PLACE ± 0.30 $\pm.$	mm INCH	DRAWN BY & DATE W.Y.YANG 98/02/17	TITLE: .110 MP-LOCK RECEPTACLE TERMINAL			APPROVED BY & DATE C.W.LEE 98/02/17	MATERIAL NO. SEE TABLE
D1	REV	ANGULAR: $\pm 5.0^\circ$		CAD FILENAME S0979712.DGN	MOLEX INCORPORATED KOREA			SIZE B	
DRAFT WHERE APPLICABLE MUST REMAIN WITHIN DIMENSIONS									THIS DRAWING CONTAINS INFORMATION THAT IS PROPRIETARY TO MOLEX INCORPORATED AND SHOULD NOT BE USED WITHOUT WRITTEN PERMISSION.