

W91610 SERIES



TONE/PULSE DIALER WITH TWO-STAGE REDIAL FUNCTION

GENERAL DESCRIPTION

The W91610 series are Si-gate CMOS ICs that provide the signals needed for either pulse or tone dialing.

FEATURES

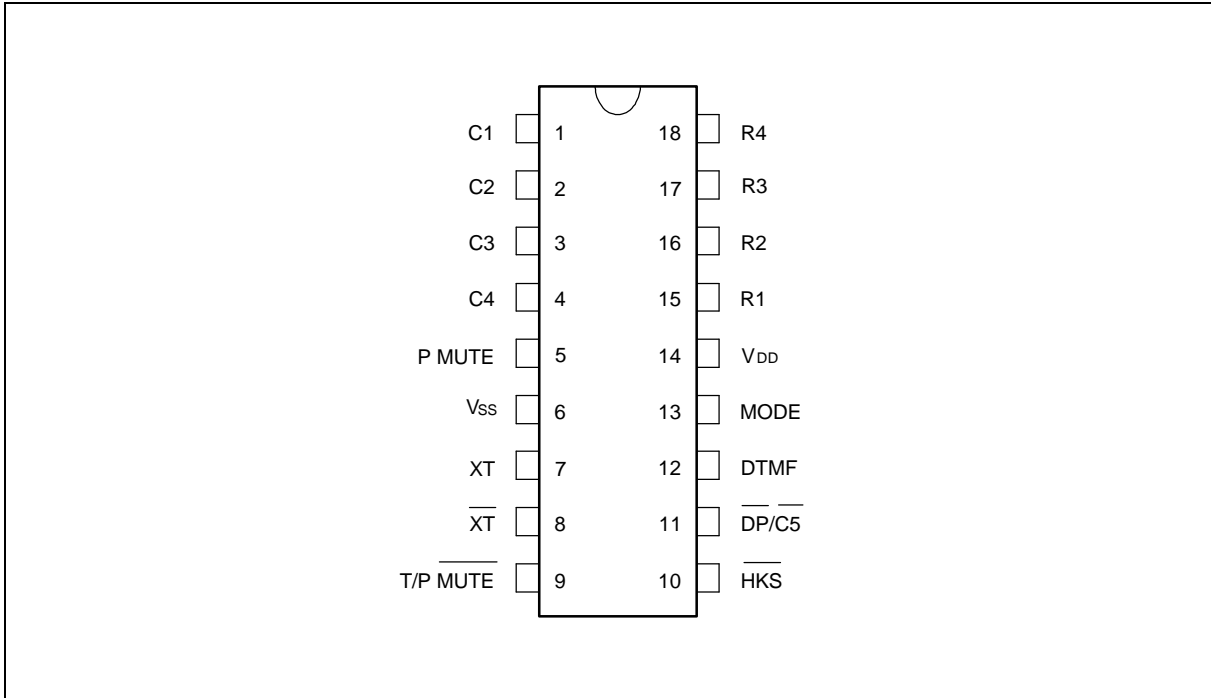
- DTMF/Pulse switchable dialer
- 32-digit redial memory
- Two-stage redial function
- Pulse-to-tone (P→T) keypad for long distance call operation
- Easy operation with redial, flash, pause and P→T keypads
- Pause, pulse-to-tone (P→T) can be stored as a digit in memory
- Tone output duration: as long as key is depressed or 90 mS minimum
- Minimum intertone pause: 90 mS
- Flash time: 100 mS
- Uses 4 × 5 keyboard
- On-chip power-on reset
- Uses 3.579545 MHz crystal or ceramic resonator
- Packaged in 18-pin DIP
- The different dialers in the W91610 series are shown in the following table:

TYPE NO.	DIALING RATE	PAUSE	B:M	FLASH
W91610	10 ppS	4 sec	2:1	100 mS
W91611			3:2	

W91610 SERIES



PIN CONFIGURATION



PIN DESCRIPTION

SYMBOL	PIN NO.	I/O	FUNCTION
Column-Row Inputs	1-4 & 15-18	I	Keyboard inputs are designed for use with either a standard 4 × 5 keyboard or an inexpensive single contact (Form A) keyboard. Electronic input from a μ C can also be used. Valid key entry is defined by a connection between a single row and a single column.
XT, $\overline{\text{XT}}$	7, 8	I, O	A built-in inverter provides oscillation with an inexpensive 3.579545 MHz crystal or ceramic resonator.
T/P $\overline{\text{MUTE}}$	9	O	The T/P $\overline{\text{MUTE}}$ is a conventional CMOS inverter output. It is low during pulse and tone mode dialing sequence and flash break; otherwise, it remains high.
MODE	13	I	Pulling the mode pin to Vss place the dialer in tone mode. Pull to VDD or leave floating: Pulse mode (10 ppS, M/B = 2:3 or 1:2)

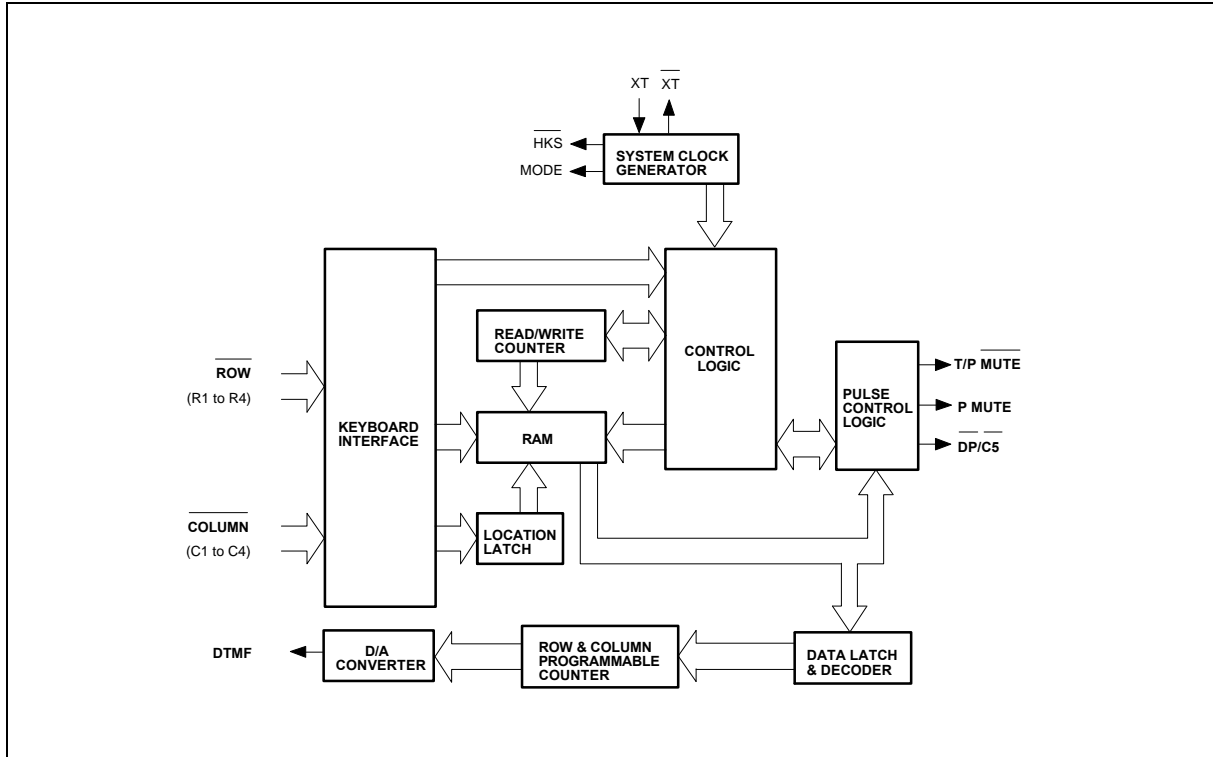
W91610 SERIES



Pin Description, continued

SYMBOL	PIN NO.	I/O	FUNCTION																																				
$\overline{\text{HKS}}$	10	I	<p>Hook switch input. Conventional CMOS input with an internal protection diode and a pull-high resistor to VDD.</p> <p>$\overline{\text{HKS}} = \text{VDD}$: On-hook state. Chip in sleep mode, no operation.</p> <p>$\overline{\text{HKS}} = \text{Vss}$: Off-hook state. Chip enabled for normal operation.</p> <p>During dialing, this input ignores $\overline{\text{HKS}} = \text{VDD}$ for durations of less than 150 mS (i.e., dialing is not terminated).</p>																																				
$\overline{\text{DP/C5}}$	11	O	<p>Open drain dialing pulse output (Figure 1).</p> <p>Flash key causes $\overline{\text{DP/C5}}$ to be active in both tone mode and pulse mode.</p>																																				
DTMF	12	O	<p>During pulse dialing, maintains low state at all times. In tone mode, outputs a dual or single tone.</p> <p>Detailed timing diagram for tone mode is shown in Figure 2(a, b).</p> <table border="1" style="margin-left: auto; margin-right: auto;"> <thead> <tr> <th colspan="4">OUTPUT FREQUENCY</th> </tr> <tr> <th></th> <th>Specified</th> <th>Actual</th> <th>Error %</th> </tr> </thead> <tbody> <tr> <td>R1</td> <td>697</td> <td>699</td> <td>+0.28</td> </tr> <tr> <td>R2</td> <td>770</td> <td>766</td> <td>-0.52</td> </tr> <tr> <td>R3</td> <td>852</td> <td>848</td> <td>-0.47</td> </tr> <tr> <td>R4</td> <td>941</td> <td>948</td> <td>+0.74</td> </tr> <tr> <td>C1</td> <td>1209</td> <td>1216</td> <td>+0.57</td> </tr> <tr> <td>C2</td> <td>1336</td> <td>1332</td> <td>-0.30</td> </tr> <tr> <td>C3</td> <td>1477</td> <td>1472</td> <td>-0.34</td> </tr> </tbody> </table>	OUTPUT FREQUENCY					Specified	Actual	Error %	R1	697	699	+0.28	R2	770	766	-0.52	R3	852	848	-0.47	R4	941	948	+0.74	C1	1209	1216	+0.57	C2	1336	1332	-0.30	C3	1477	1472	-0.34
OUTPUT FREQUENCY																																							
	Specified	Actual	Error %																																				
R1	697	699	+0.28																																				
R2	770	766	-0.52																																				
R3	852	848	-0.47																																				
R4	941	948	+0.74																																				
C1	1209	1216	+0.57																																				
C2	1336	1332	-0.30																																				
C3	1477	1472	-0.34																																				
VDD, VSS	14, 6	I	Power input pins.																																				
P MUTE	5	O	The P MUTE is a conventional CMOS inverter output. It is high during pulse dialing sequence and flash break. Otherwise, it remains low.																																				

BLOCK DIAGRAM



FUNCTIONAL DESCRIPTION

Keyboard Operation

C1	C2	C3	C4	DP/C5	
1	2	3		P→T	R1
4	5	6	F	P	R2
7	8	9			R3
*	0	#	R		R4

- F: Flash key
- P→T: In pulse mode, this key works as Pulse→Tone key
P→T key can be stored as a digit in pulse or tone mode
- R: Redial function key
- P: Pause key

Normal Dialing

OFF HOOK , D1 , D2 , ..., Dn

1. D1, D2, ..., Dn will be dialed out.



2. Dialing length is unlimited, but redial is inhibited if length oversteps 32 digits in normal dialing.
3. Dialing mode is determined at the on/off hook transition.

Redialing

1. OFF HOOK , D1 , D2 , ..., Dn , Busy, Come ON HOOK , OFF HOOK , R

The R key executes the redialing function.

2. Redial content = D1, D2, ..., Dn

OFF HOOK , R , D1' , D2' , P→T , D3' , D4'

- a. D1, D2, ..., Dn, D1', D2', P→T, D3', D4' will be dialed out.
- b. Redial register is changed to D1, D2, ..., Dn, D1', D2', P→T, D3', D4'.

- c. OFF HOOK , R (1st)

D1, D2, ..., Dn, D1', D2', will be dialed out,

R (2nd); P→T, D3', D4' will be dialed out.

Access Pause

OFF HOOK , D1 , D2 , P , D3 , ..., Dn

1. The pause function can be stored in memory.
2. The pause function may be executed in normal dialing, redialing, or memory dialing (4.0 sec/pause).
3. The pause function can be stored as the first digit in memory.
4. The pause time depends on the number of times the P key is depressed. For example, if the sequence 1, 2, P, P, 4, 5, 6 is keyed in, then the pause time is 8 seconds.
5. The pause function timing diagram is shown in Figure 3.

Pulse-to-tone (P→T)

1. OFF HOOK , D1 , D2 , ..., Dn , P→T , D1' , D2' , ..., Dn'

- a. If the mode switch is set to pulse mode, then the output signal will be as follows:

D1, D2, ..., Dn, no pause, D1', D2', ..., Dn'
 (Pulse) (Tone)

In this case, the device can be reset to pulse mode only by going on-hook, because tone mode remains enabled after the digits have been dialed out.



- b. If the mode switch is set to tone mode, then the output signal will be as follows:
 D1, D2, ..., Dn, no pause, D1', D2', ..., Dn'
 (Tone) (Tone)
 - c. The P→T key may be pressed before the first sequence is dialed out completely.
2. OFF HOOK , R
- a. If the mode switch is set to pulse mode, then the output signal will be as follows:
 D1, D2, ..., Dn
 (Pulse)
 - b. In the first redial operation, only the digits before the tone key are dialed out.
 R (2nd)
 D1', D2', ..., Dn' are dialed out.
 (Tone)
 - c. In the second redial operation, the digits after the tone key are dialed out.

Flash

OFF HOOK , D1 , D2 , D3 , F , D4 , D5 , D6

1. F key may be pressed before digits D1, D2, D3 are sent completely. Digits D4, D5, D6 may be pressed during the 100 mS. flash period.
2. The flash key cannot be stored as a digit in memory or in the redial register.
3. The content of the redial register is D1, D2, D3, D4, D5, D6. F key is not stored in the redial register.
4. The flash does not have first priority among the keyboard functions.
5. The flash pause time is 800 mS, so there is a pause of 800 mS between the flash and the next digit dialed (see Figure 5).
6. The dialer will not return to the initial state after the flash break time has elapsed.
7. The flash function timing diagram is shown in Figure 5.

ABSOLUTE MAXIMUM RATINGS

PARAMETER	SYMBOL	RATING	UNIT
DC Supply Voltage	VDD-VSS	-0.3 to +7.0	V
Input/Output Voltage	VIL	VSS -0.3	V
	VIH	VDD +0.3	V
	VOL	VSS -0.3	V
	VOH	VDD +0.3	V

W91610 SERIES



Power Dissipation	PD	120	mW
Operating Temperature	TOPR	-20 to +70	°C
Storage Temperature	TSTG	-55 to +150	°C

Note: Exposure to conditions beyond those listed under Absolute Maximum Ratings may adversely affect the life and reliability of the device.

DC CHARACTERISTICS

(Fosc. = 3.58 MHz, Ta = 25° C, all outputs unloaded)

PARAMETER	SYM.	CONDITIONS	MIN.	TYP.	MAX.	UNIT
Operating Voltage	VDD	-	2.0	-	5.5	V
Operating Current	IOP	Tone, VDD = 2.5V	-	0.30	0.50	mA
		Pulse, VDD = 2.5V	-	0.15	0.30	
Standby Current	ISB	HKS = 0, No load & No key entry	-	-	15	μA
Memory Retention Current	IMR	HKS = 1, VDD = 1.0V	-	-	0.2	μA
DTMF Output Voltage	VTO	Row group, RL = 5 KΩ	130	150	170	mVrms
Pre-emphasis		Col/Row, VDD = 2.0 to 5.5V	1	2	3	dB
DTMF Distortion	THD	RL = 5 KΩ VDD = 2.0 to 5.5V	-	-30	-23	dB
DTMF Output DC Level	VTDC	RL = 5 KΩ VDD = 2.0 to 5.5V	1.0	-	3.0	V
DTMF Output Sink Current	ITL	VTO = 0.5V VDD = 2.5V	0.2	-	-	mA
DP/C5 Output Sink Current	IPL	VPO = 0.5V VDD = 2.5V	0.5	-	-	mA
P MUTE & T/P MUTE Output Drive Current	IMH	VMO = 2.0V VDD = 2.5V	0.2	-	-	mA
P MUTE & T/P MUTE Output Sink Current	IML	VMO = 0.5V, VDD = 2.5V	0.5	-	-	mA
Keypad Input Drive Current	IKD	VI = 0V, VDD = 2.5V	4	-	-	μA
Keypad Input Sink Current	IKS	VI = 2.5V, VDD = 2.5V	200	400	-	μA
Keypad Resistance	RK	-	-	-	5.0	KΩ
HKS Input Pull High Resistance	RHK	-	-	300	-	KΩ

W91610 SERIES



Input Voltage Low Level	V _{IL}	Pins 1, 2, 3, 4, 10, 13,	0	-	0.2 V _{DD}	V
Input Voltage High Level	V _{IH}	15, 16, 17, 18	0.8 V _{DD}	-	V _{DD}	V

AC CHARACTERISTICS

PARAMETER	SYMBOL	CONDITIONS	MIN.	TYP.	MAX.	UNIT
Keypad Active in Debounce	T _{KID}	-	-	20	-	mS
Key Release Debounce	T _{KRD}	-	-	20	-	mS
Pre-digit Pause	T _{PDP1}	Mode Pin = Floating	-	33.3	-	mS
	10 ppS	Mode Pin = V _{DD}	-	40	-	
Interdigit Pause (Auto Dialing)	T _{IDP}	10 ppS	-	800	-	mS
Make/Break Ratio	M/B	M/B = 1:2	-	33:67	-	%
		M/B = 2:3	-	40:60	-	
DTMF Output Duration	T _{TD}	Auto Dialing	-	90	-	mS
Intertone Pause	T _{ITP}		-	90	-	mS
Flash Break Time	T _{FB}	-	-	100	-	mS
Flash Pause	T _{FP}	-	-	800	-	mS
Pause Time	T _P	-	-	4.0	-	S
Pre-tone Mute	T _{PTM}	-	-	70	-	mS

Notes:

- Crystal parameters suggested for proper operation are R_s < 100 Ω, L_m = 96 mH, C_m = 0.02 pF, C_n = 5 pF, C_l = 18 pF, F_{osc} = 3.579545 MHz ±0.02%.
- Crystal oscillator accuracy directly affects these times.

TIMING WAVEFORMS

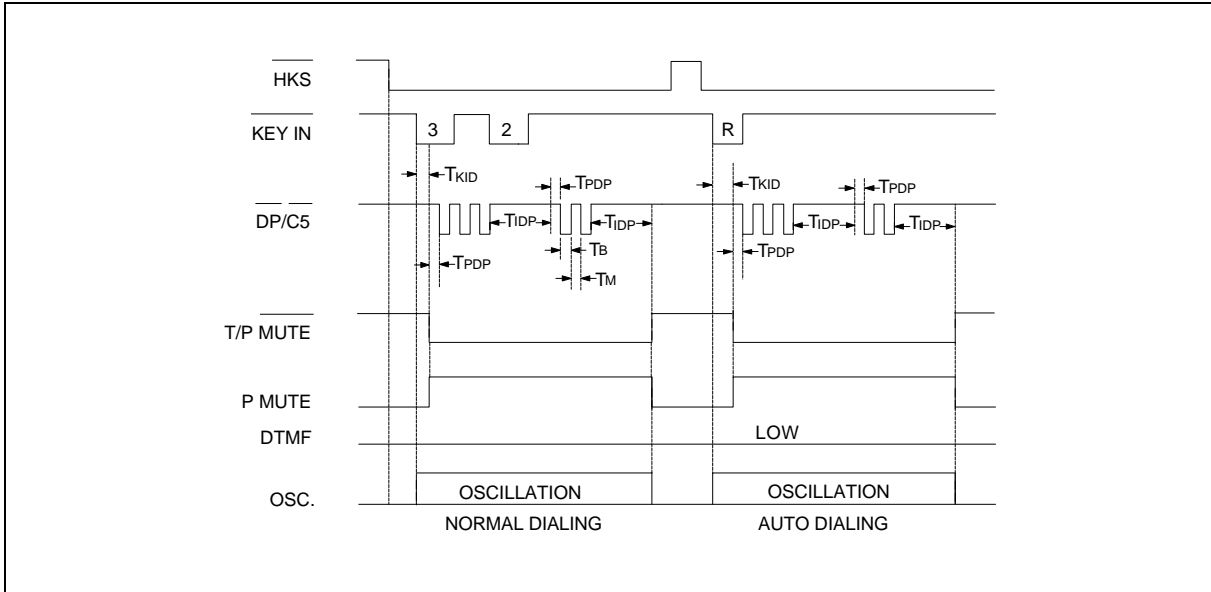


Figure 1. Pulse Mode Timing Diagram

Timing Waveforms, continued

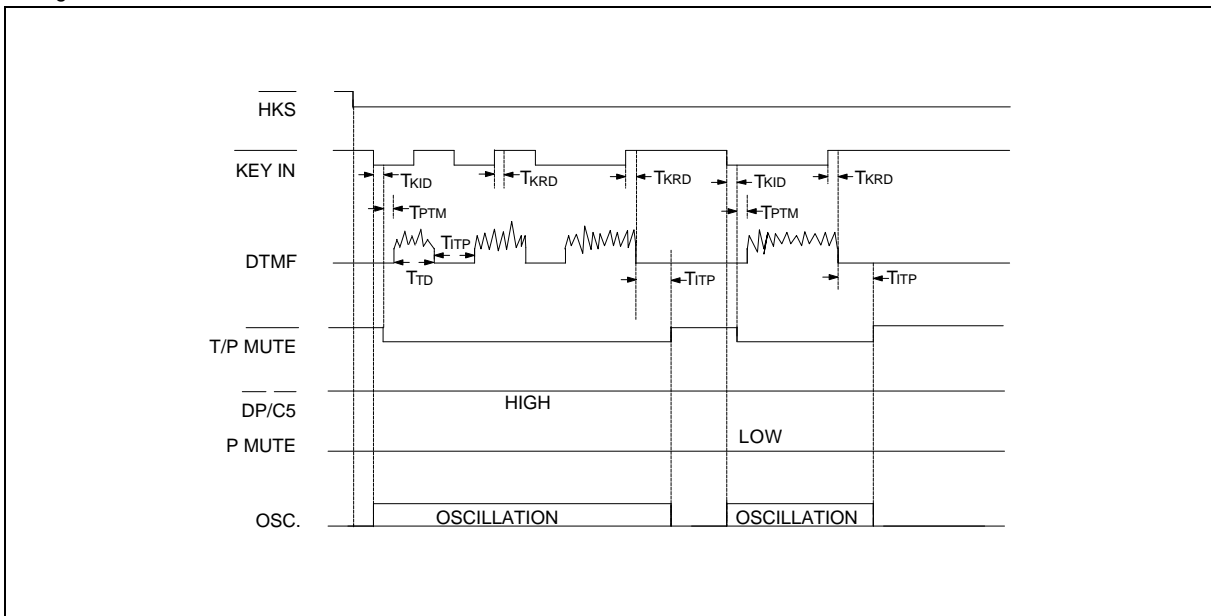


Figure 2(a). Tone Mode Normal Dialing Timing Diagram

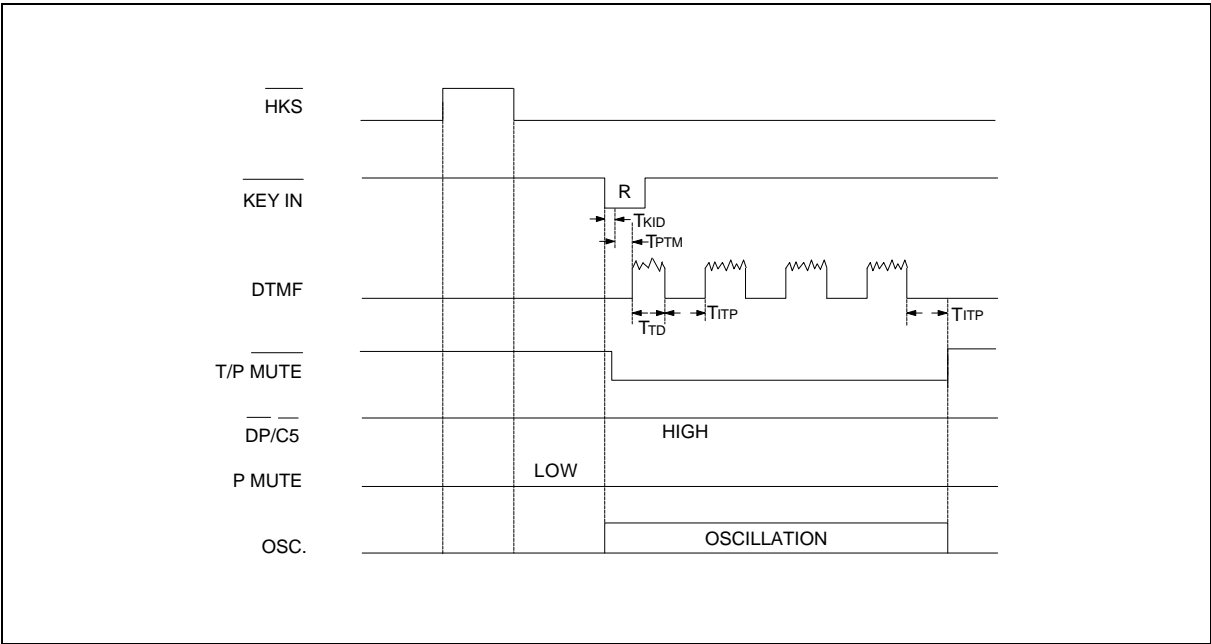


Figure 2(b). Tone Mode Auto Dialing Timing Diagram

Timing Waveforms, continued

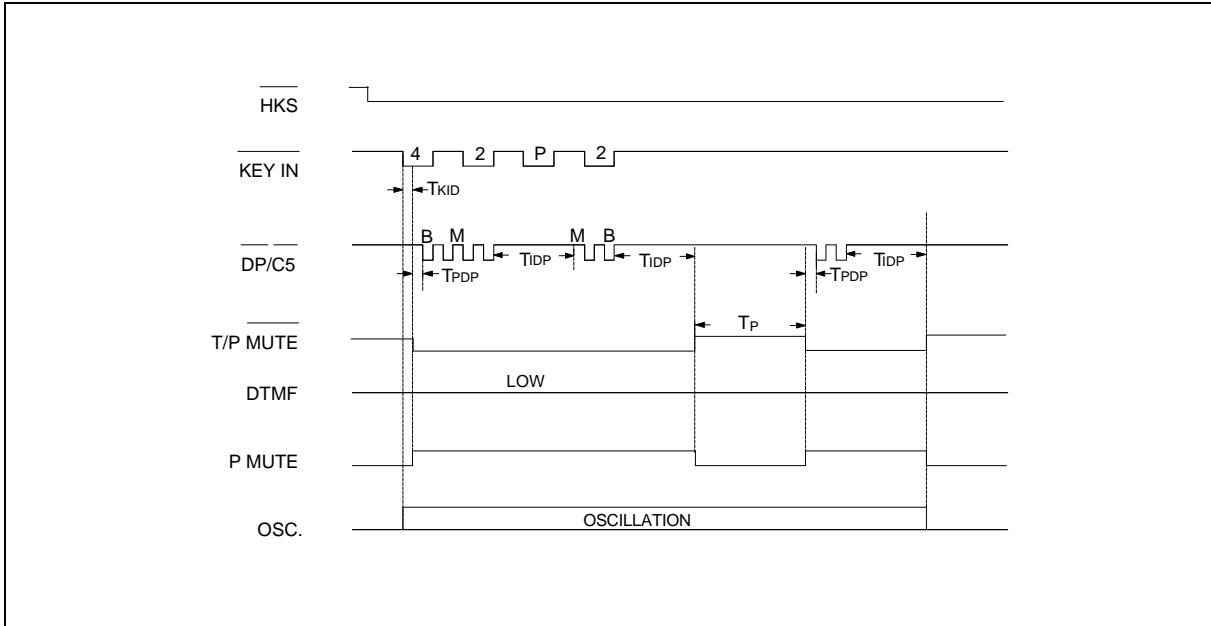


Figure 3. Pause Function Timing Diagram

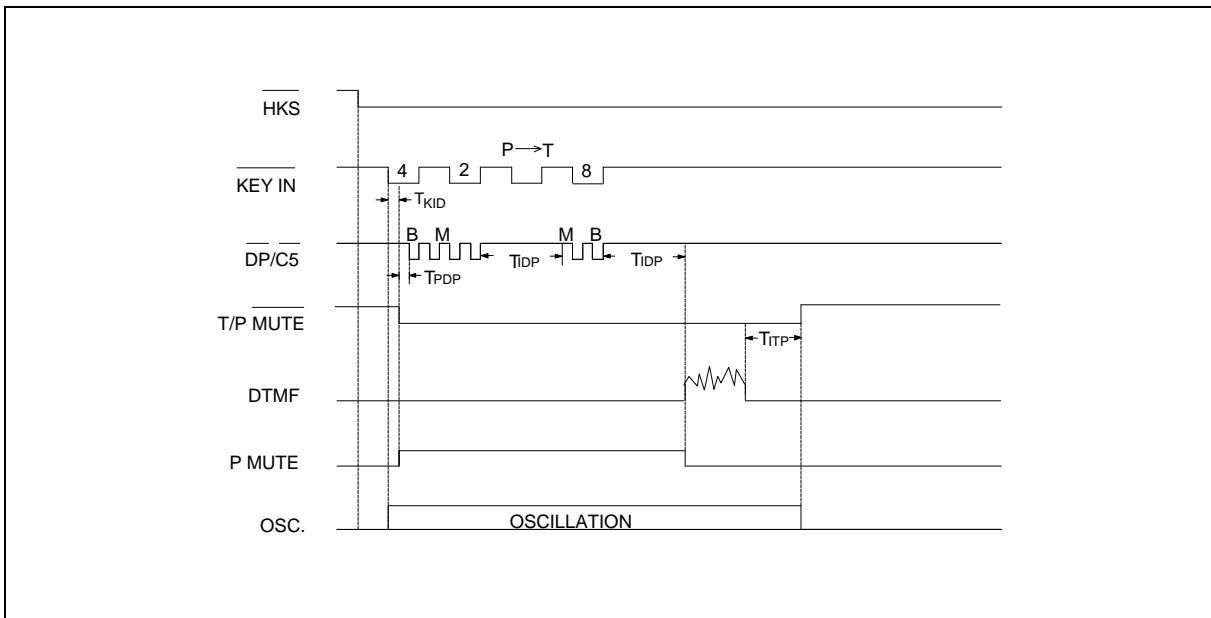


Figure 4. P->T Operation Timing Diagram in Normal Dialing

W91610 SERIES



Timing Waveforms, continued

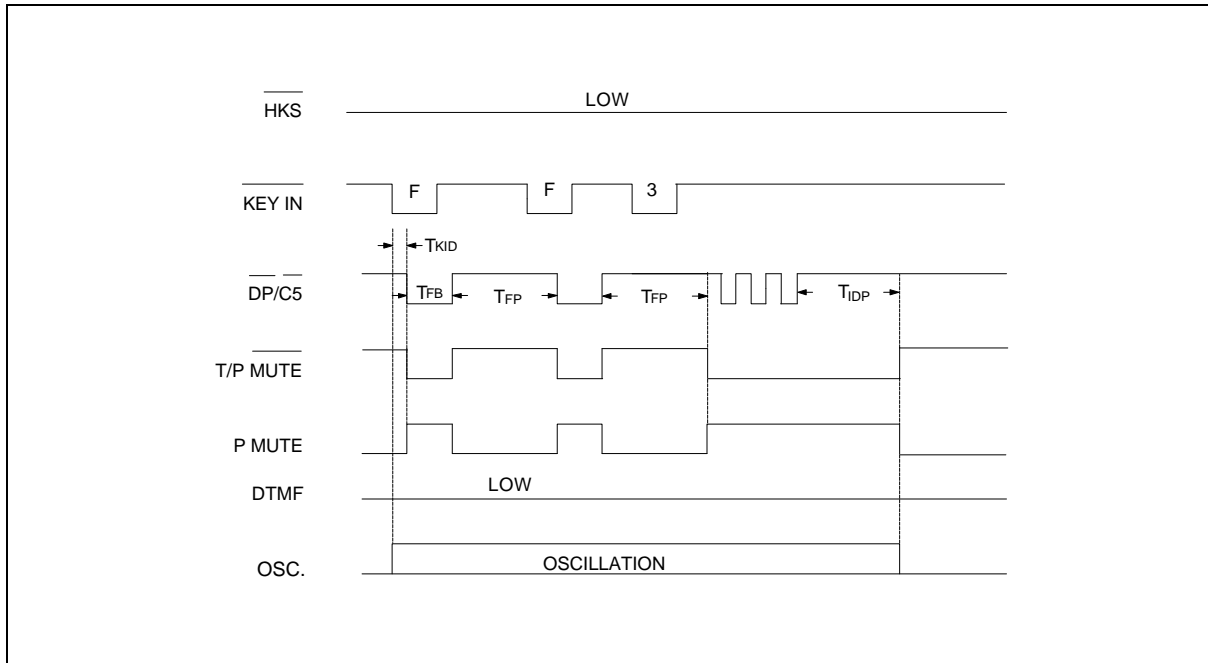


Figure 5. Flash Operation Timing Diagram



Headquarters

No. 4, Creation Rd. III,
Science-Based Industrial Park,
Hsinchu, Taiwan
TEL: 886-3-5770066
FAX: 886-3-5792697
<http://www.winbond.com.tw/>
Voice & Fax-on-demand: 886-2-7197006

Taipei Office

11F, No. 115, Sec. 3, Min-Sheng East Rd.,
Taipei, Taiwan
TEL: 886-2-7190505
FAX: 886-2-7197502

Winbond Electronics (H.K.) Ltd.

Rm. 803, World Trade Square, Tower II,
123 Hoi Bun Rd., Kwun Tong,
Kowloon, Hong Kong
TEL: 852-27516023
FAX: 852-27552064

Winbond Electronics North America Corp.

Winbond Memory Lab.
Winbond Microelectronics Corp.
Winbond Systems Lab.
2730 Orchard Parkway, San Jose,
CA 95134, U.S.A.
TEL: 1-408-9436666
FAX: 1-408-9436668

Note: All data and specifications are subject to change without notice.