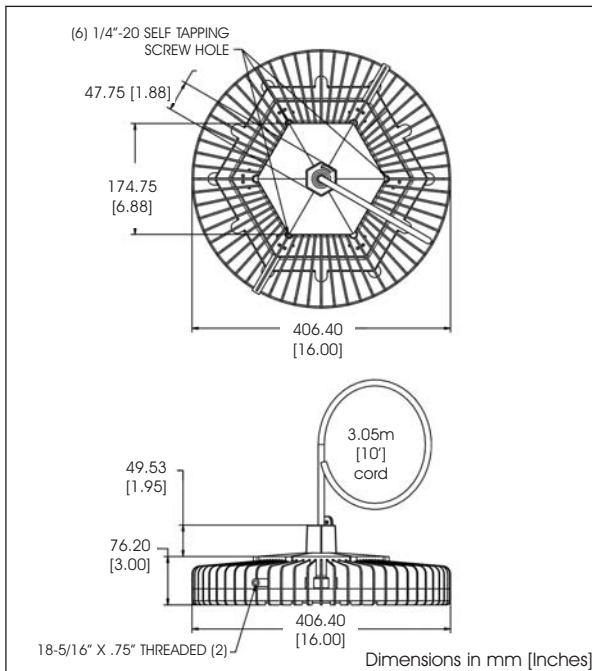




## DuroSite™ Series LED High Bay Luminaire



### Certifications & Ratings:

- ▷ CE - compliant  
EN 55015:2006 / EN 61547:2009 / EN 60598:2008
- ▷ BS EN 62471:2008
- ▷ IK10 to EN50102 (polycarbonate version)
- ▷ IP66 to EN60529

### Features & Benefits:

- ▷ Low power consumption
- ▷ May be used with remote occupancy sensor
- ▷ Instant on/off operation
- ▷ Superior colour rendition index compared to HPS, LPS, MV
- ▷ Mercury free, lead free
- ▷ Replaces up to 400 Watt HID light sources
- ▷ Resistant to shock and vibration
- ▷ Temperature compensation technology for longer life
- ▷ >80% lumen maintenance after 60,000 operating hours

### Application:

The first of its kind, the Dialight DuroSite™ LED High Bay luminaire was designed specifically to replace conventional lighting in a wide variety of industrial applications, both indoor and outdoor. Its low profile, light weight design and versatile mounting options make it ideal for many applications such as for many applications such as high bay lighting, warehouse, factories, cold stores, restricted access areas, service areas and other applications with mounting heights greater than 4 meters.

All of Dialight's long life LED luminaires are designed to meet the most demanding specification criteria while offering maximum energy savings, reduced maintenance costs, and a superior quality of light. Hazardous area versions are also available.

### Mechanical Information:

<b>Fixture Weight:</b>	8.2 kg (18 lbs)
<b>Mounting:</b>	Swivel bracket or hook (see page 2)
<b>Fixing:</b>	Factory installed 3 meter PVC cable Custom cable lengths available, consult factory

### Electrical specifications:

<b>Operating Voltage:</b>	230/240 VAC, 50/60 Hz
<b>Total System Power Consumption (TYP):</b>	150 Watts
<b>Operating Temp:</b>	-40°C to +60°C (-40°F to +140°F)
<b>Dimming Option:</b>	Consult factory for more information

**Harmonics:** EN 61000-3-2

**Surge Protection:** EN 61000-4-5  
1 kV line to line  
2 kV line to ground

**THD:** <10% (230/240VAC)

**Power Factor:** > 0.9

### Construction:

<b>Housing:</b>	Aluminium cast
<b>Finish:</b>	Light grey powder coated (RAL7001)
<b>Lens:</b>	Polycarbonate (PC, IP66 rated) Acrylic (PMMA, dry locations only) options available consult factory for more information

### Photometric Information:

<b>CRI (typ):</b>	> 70
<b>CCT (typ):</b>	6,000K (cool white) 4,500K (neutral white)






### Order Codes:

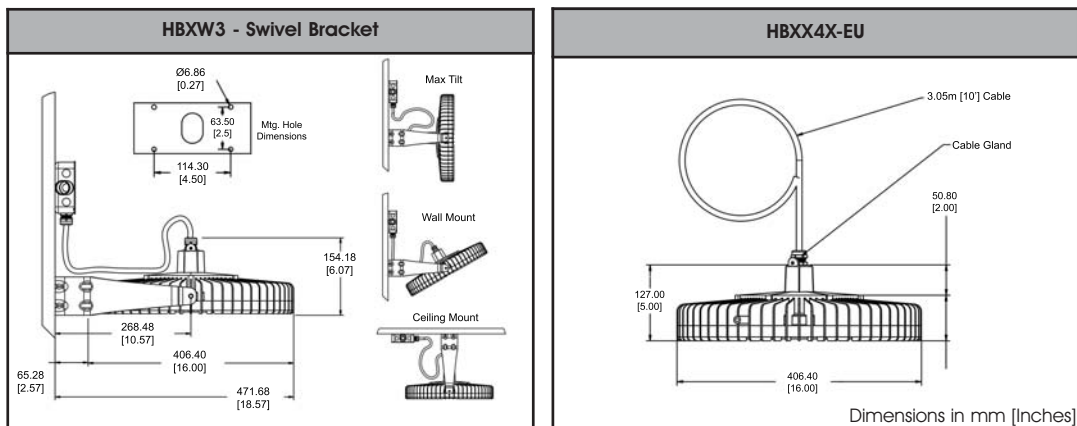
Part Number	Lens Material	Optic	LED Colour	Initial Fixture Lumens	Lumens Per Watt
HB2C4M-EU	PC	Narrow Circular	Cool White	10,500	70
HB7C4M-EU	PC	Oval	Cool White	10,500	70
HB2N4M-EU	PC	Narrow Circular	Neutral White	10,500	70
HB7N4M-EU	PC	Oval	Neutral White	10,500	70
HBLC4M-EU	PC	Wide Domed Circular	Cool White	10,750	72

Lower wattage fixtures available. Consult factory for more information.

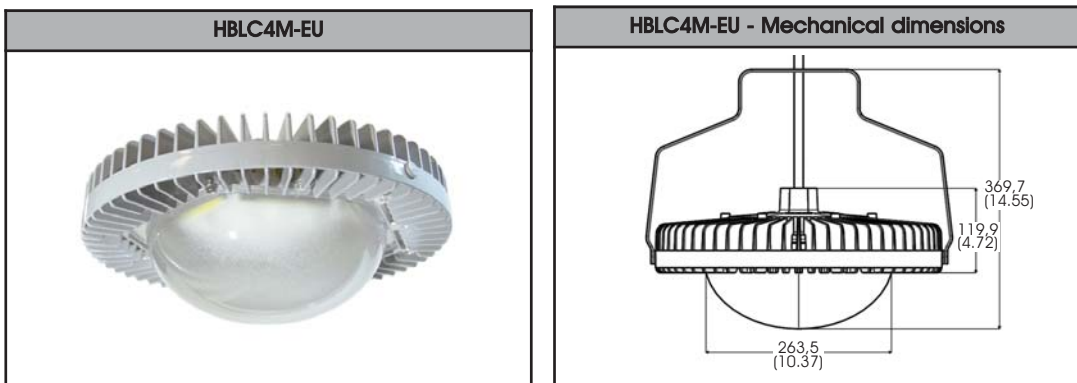
## DuroSite™ High Bay Accessories

	Part Number	Description	Kit Includes
	HBXW3	Swivel Bracket Grey (RAL7001) powder coated aluminium (Interior or exterior use)	Swivel Bracket Bracket to fixture hardware
	HBXH	Hook (Hook cannot be used in wet or damp location installs)	Hanger Hook
	HBXGS	Shield - sets of 10 Grey (RAL7001) powder coated spun aluminium (Interior use only, for use with flat lens options)	Aluminium shield and securing hardware

## DuroSite™ High Bay Mounting Options

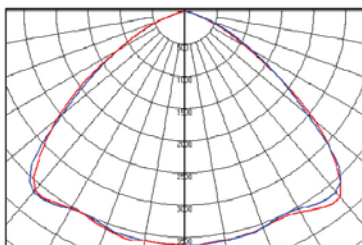


## DuroSite™ High Bay Domed Lens Option

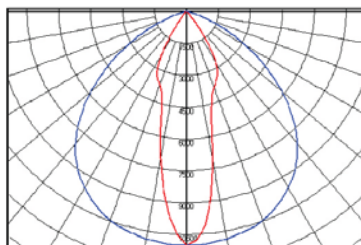


## DuroSite™ High Bay Polar Plots

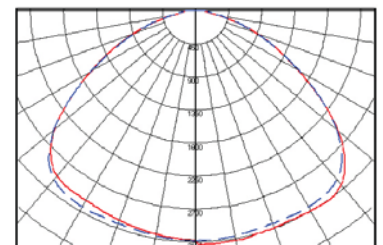
**HB2C4M-EU and HB2N4M-EU**



**HB7C4M-EU and HB7N4M-EU**



**HBLC4M-EU**



Dialight reserves the right to make changes at any time in order to supply the best product possible.

The most current version of this document will always be available at:

[www.dialight.com/Assets/Brochures\\_And\\_Catalogs/Illumination/MDEXHBEU001.pdf](http://www.dialight.com/Assets/Brochures_And_Catalogs/Illumination/MDEXHBEU001.pdf)