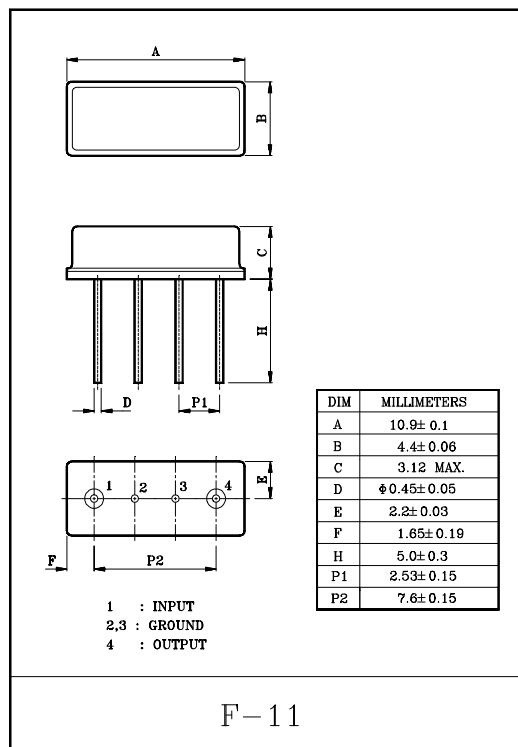


Band pass filters for the receiving RF circuits of pager

- High stability and reliability with good performance and no adjustment.
- Wide and sharp pass band characteristics.
- Low insertion loss and deep stop band attenuation for interference.
- Terminating Impedance : 50Ω + Series L(10nH)
- SMD Type : KF930S(SC-45), KF930V(SC-44).

MAXIMUM RATINGS (Ta=25°C)

ITEM	SYMBOL	RATING	UNIT
Input Signal Level	IS_{max}	0	dBm
DC Permissive Voltage	V_{DC}	+10	V
Operating Temperature Range	T_{opr}	-10~+50	°C
Storage Temperature Range	T_{stg}	-30~+85	°C



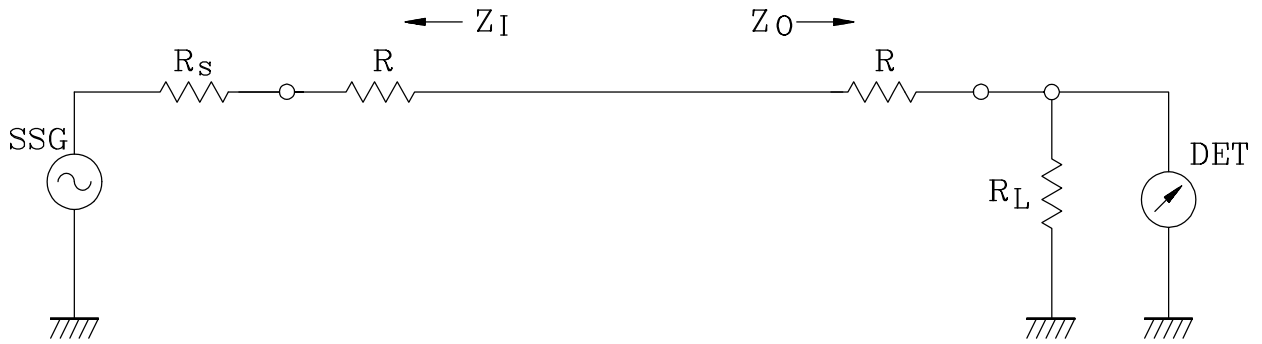
ELECTRICAL CHARACTERISTICS (Temperature 20±2°C, Humidity 65±5%)

ITEMS	SYMBOL	TEST CONDITION	MIN.	TYP.	MAX.	UNIT
Nominal Center Frequency	f_0	-	-	930.5	-	MHz
Bandwidth	BW_{3dB}	-	$f_0 \pm 2.0$	-	-	MHz
Insertion Loss	IL_{PASS}	$f_0 \pm 2.0$ MHz	-	-	4.0	dB
Ripple Level	A_{RIP}	$f_0 \pm 2.0$ MHz	-	-	2.0	dB
Rejection Level	IL_{STOP}	$f_0 - 400 \sim f_0 - 40.8$ MHz	45	-	-	dB
		$f_0 + 50 \sim f_0 + 400$ MHz	45	-	-	dB
Input/Output Impedance	$Z_i(Z_o)$	-	-	50Ω + Series L(10nH)	-	-

KF930

TEST CIRCUIT

REFERENCE LEVEL TEST CIRCUIT

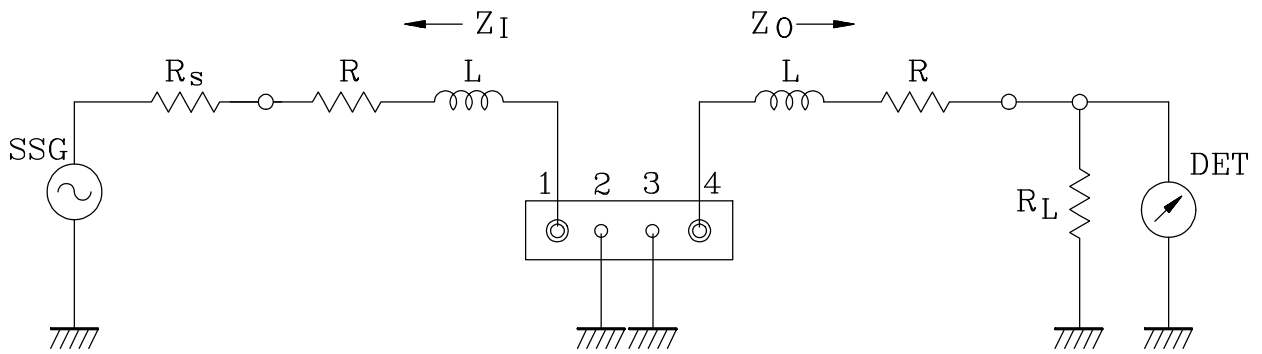


$R_s, R_L : 50\Omega$ (Internal Impedance of Source and Load)

$R : 0\Omega$

$$Z_I(Z_O) = R_s(R_L) + R$$

MEASUREMENT CIRCUIT



1: Input 2,3: Ground 4: Output

$R_s, R_L : 50\Omega$ (Internal Impedance of Source and Load)

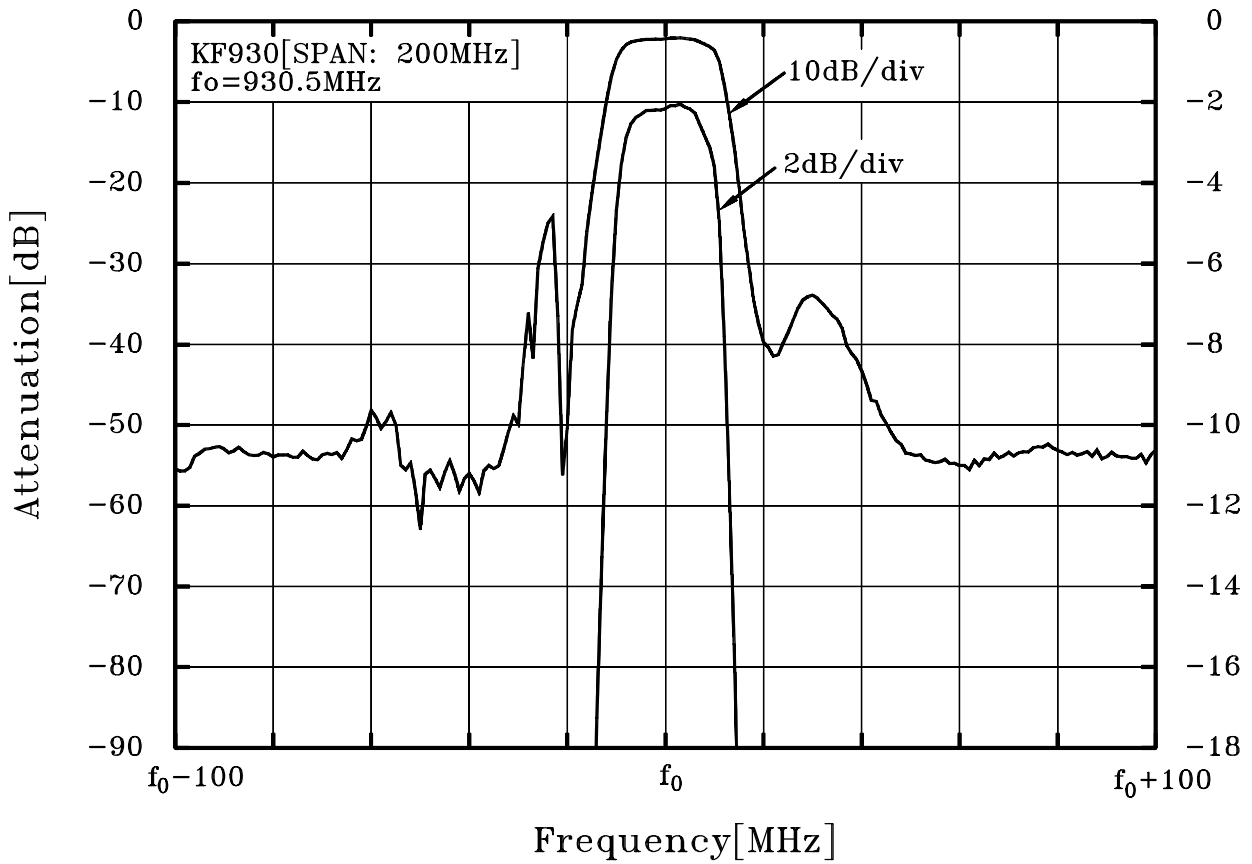
$R : 0\Omega$

$L : 10\text{nH}$

$$Z_I(Z_O) = R_s(R_L) + R + \text{Series } L$$

KF930

ATT - f



ATT - f

