

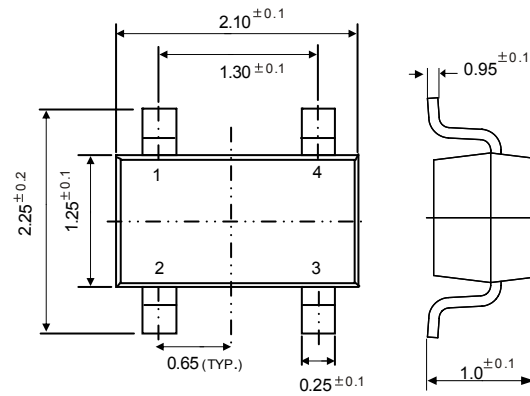
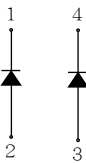
RoHS Compliant Product

A suffix of "-C" specifies halogen & lead-free

SOT-343

FEATURES

- *Low current rectification
- *High reliability



MARKING: 3T

Unit:mm

Maximum Ratings and Electrical Characteristics, Single Diode @T_A=25°C

Parameter	Symbol	Limits	Unit
Peak reverse voltage	V _{RM}	45	V
DC reverse	V _R	40	V
Peak forward surge current	I _{FM}	1	A
Mean rectifying current	I _O	0.1	A
Junction temperature	T _J	125	°C
Storage temperature	T _{stg}	-40~+125	°C

Electrical Ratings @T_A=25°C

Parameter	Symbol	Min.	Typ.	Max.	Unit	Conditions
Forward voltage	V _F			450 600	mV	I _F =10mA I _F =100mA
Reverse current	I _R			1 5	μA	V _R =10mA V _R =40mA
Capacitance between terminals	C _T		6	25	pF	V _R =0V V _R =10V, f=MHz

Typical Characteristics

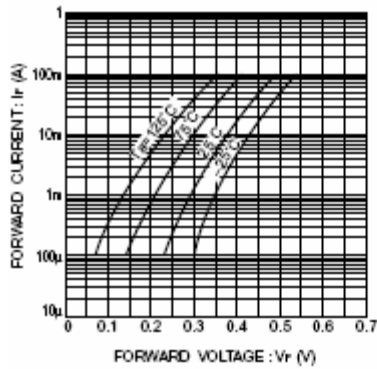


Fig.1 Forward temperature characteristics

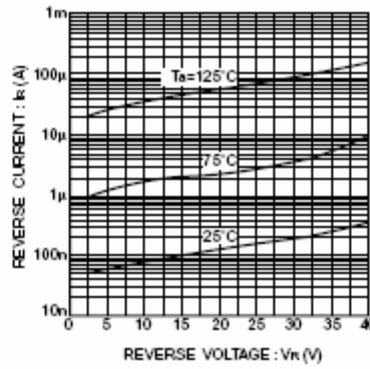


Fig.2 Reverse temperature characteristics

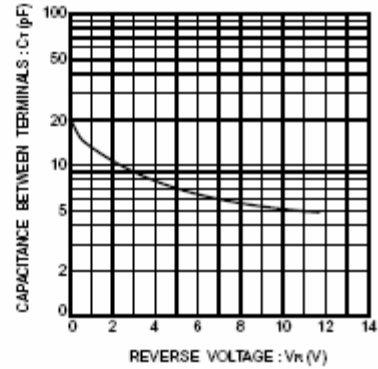


Fig.3 Capacitance between terminals characteristics

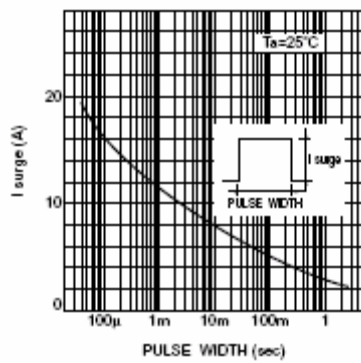


Fig.4 Surge current characteristics