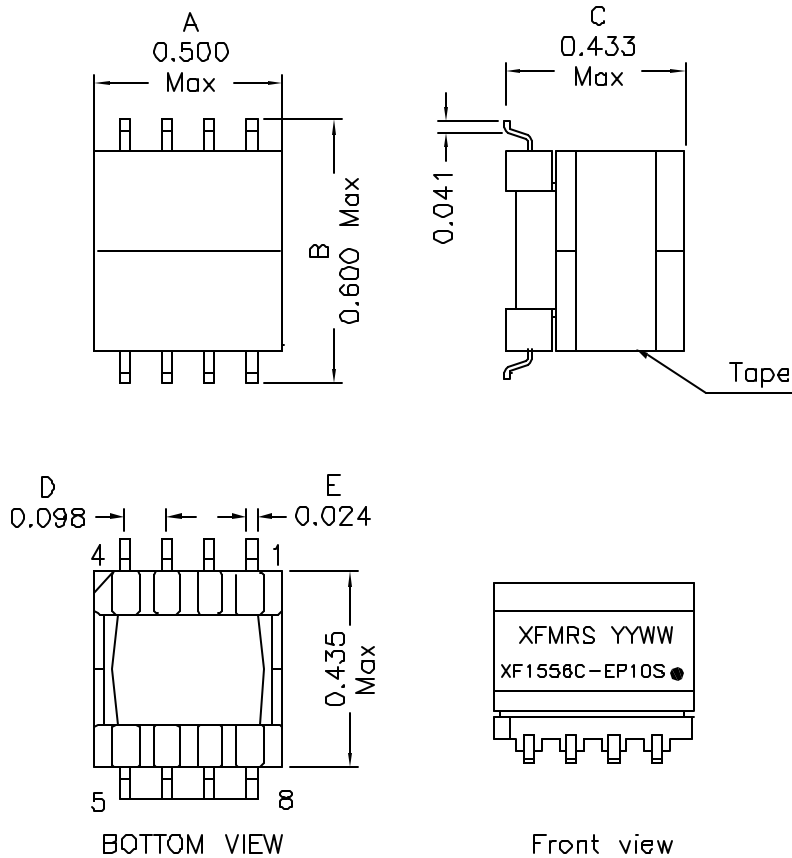
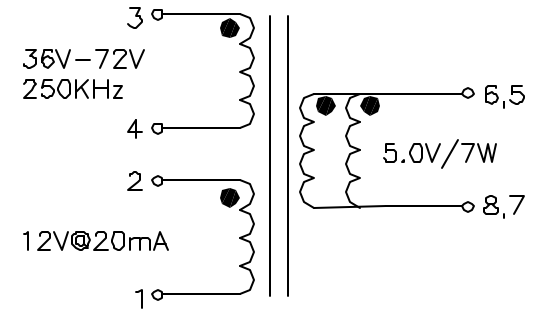


1. Mechanical Dimensions:



2. Schematic:



3. Electrical Specifications: @25°C

OCL: Pins 3-4 155uH±10% @10KHz 0.1V 0Adc

Pins 3-4 139.5uH Min @10KHz 0.1V 0.65Adc

Q: Pins 3-4 40 Min @100KHz 0.1V

LL: Pins 3-4 3.6uH Max @100KHz 0.1V (Short all else)

Cw/w: Pins 3-6 150pF Max @100KHz 0.1V (Short 4+2,6+5,7+8)

DCR: Pins 3-4 0.414 Ohms Max

Pins 2-1 0.822 Ohms Max

Pins 6-8 & 5-7 0.060 Ohms Max Each

Turns Ratio0: (3-4):(6,5-8,7):(2-1)=1:0.262:0.667±5%

Hipot: 1500Vac, PRI to SEC

Notes:

- Solderability: Leads shall meet MIL-STD-202G, Method 208H for solderability.
- Flammability: UL94V-0
- ASTM oxygen index: > 28%
- Insulation System: Class F 155°C. UL file E151556
- Operating Temperature Range: All listed parameters are to be within tolerance from -40°C to +85°C
- Storage Temperature Range: -55°C to +125°C
- Aqueous wash compatible
- SMD Lead Coplanarity: ±0.004*(0.102mm)
- Electrical and mechanical specifications 100% tested
- RoHS Compliant Component

DOC REV: A/2

PROPRIETARY Document is the property of XFMRS Group & is not allowed to be duplicated without authorization.

XFMRS Inc www.XFMRS.com	Title: 5.0V 7W POE TRANSFORMER		
UNLESS OTHERWISE SPECIFIED TOLERANCES: .xxx ±0.010 Dimensions in INCH SCALE 2.5:1 SHT 1 OF 1	P/N: XF1556C-EP10S		REV. A
	DWN.	Xiany	Mar-03-09
	CHK.	YK Liao	Mar-03-09
	APP.	Joe Huff	Mar-03-09