

PLEASE CHECK WWW.MOLEX.COM FOR LATEST PART INFORMATION

Part Number: [0743209074](#)

Status: **Active**

Description: MicroCross™ DVI-D Digital Visual Interface, PCB Receptacle, Through Hole, Right Angle, 2.34mm (.092") P.C. Tail Length, Jackpost pre-tightened Type, 24 Circuits, Lead Free

Documents:

[Drawing \(PDF\)](#)

[RoHS Certificate of Compliance \(PDF\)](#)

General

Product Family	I/O Connectors
Series	74320
Application	Wire-to-Board
Comments	DDWG (Digital Display Working Group) Standard
Component Type	Receptacle
Product Name	MicroCross™DVI
Type	N/A

Physical

Boot Color	N/A
Circuits (Loaded)	24
Circuits (maximum)	24
Color - Resin	Natural
Durability (mating cycles max)	100
Gender	Receptacle
Keying to Mating Part	Yes
Lock to Mating Part	Yes
Material - Metal	Copper Alloy
Material - Plating Mating	Gold
Material - Plating Termination	Tin
Number of Rows	3
Orientation	Right Angle
PC Tail Length (in)	0.092 In
PC Tail Length (mm)	2.34 mm
PCB Locator	Yes
PCB Retention	Yes
Packaging Type	Tray
Panel Mount	Yes
Pitch - Mating Interface (in)	0.075 In
Pitch - Mating Interface (mm)	1.91 mm
Pitch - Term. Interface (in)	0.075 In
Pitch - Term. Interface (mm)	1.91 mm
Plating min: Mating (µin)	2
Plating min: Mating (µm)	0.05
Plating min: Termination (µin)	100
Plating min: Termination (µm)	2.50
Polarized to Mating Part	Yes
Polarized to PCB	Yes
Ports	1
Surface Mount Compatible (SMC)	No
Temperature Range - Operating	-20°C to +85°C
Termination Interface: Style	Through Hole
Waterproof / Dustproof	No
Wire Size AWG	N/A

Electrical

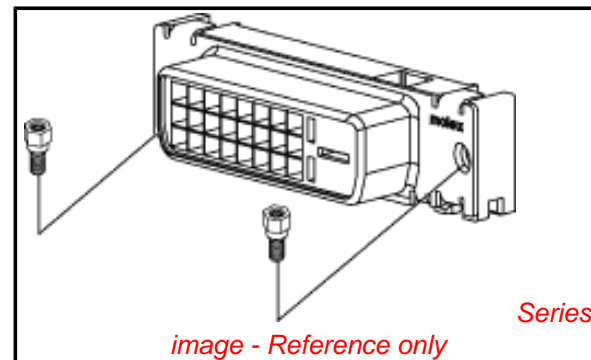


image - Reference only

EU RoHS

RoHS Compliant by Exemption

REACH SVHC

Not Reviewed

Halogen-Free

Status

Not Reviewed

China RoHS



Need more information on product environmental compliance?

Email productcompliance@molex.com
For a multiple part number RoHS Certificate of Compliance, [click here](#)

Please visit the [Contact Us](#) section for any non-product compliance questions.

Search Parts in this Series

[74320Series](#)

Mates With

[88744](#) , [74323](#)

Current - Maximum per Contact
Grounding to Panel
Shield Type
Shielded
Voltage - Maximum

3A
Yes
Full Shield
Yes
40V AC (RMS)

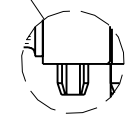
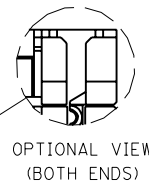
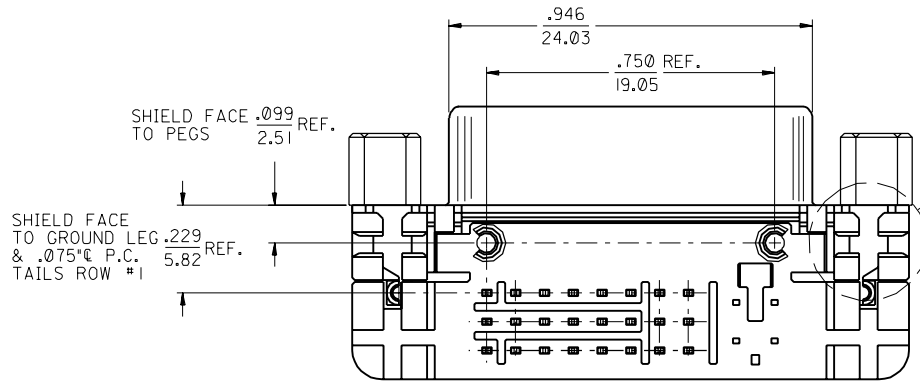
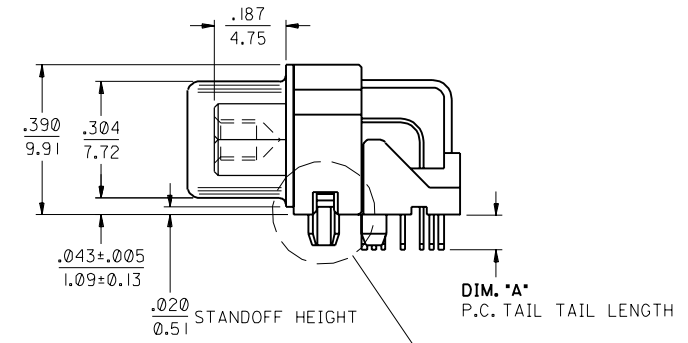
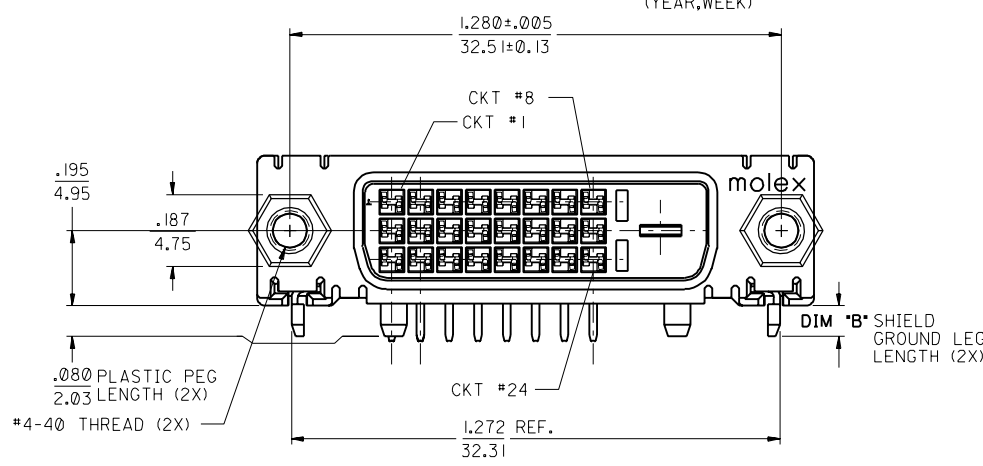
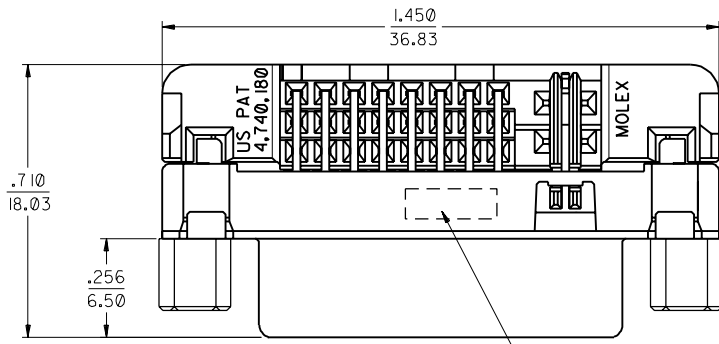
Material Info

This document was generated on 04/05/2010

PLEASE CHECK WWW.MOLEX.COM FOR LATEST PART INFORMATION

NOTES:

1. MATERIALS:
 SHIELD -- DEEP DRAW STEEL.
 HOUSING -- GLASS FILLED POLYMER, NATURAL (WHITE), UL 94v-0.
 TAIL ALIGNER -- GLASS FILLED POLYMER, NATURAL (WHITE), UL 94v-0.
 CONTACTS -- COPPER ALLOY.
 MICROCROSS GROUND -- COPPER ALLOY.
 JACKPOST -- STEEL.
2. PLATING: SEE SHEET 2
3. PRODUCT CONFORMS TO MOLEX PRODUCT SPECIFICATION NUMBER PS-74320-001.
4. SEE SHEET 2 FOR RECOMMENDED PANEL CUT-OUT AND P.C.B. LAYOUT.
5. PARTS WILL BE PACKAGED IN TRAYS.
6. PRODUCT CONFORMS TO DDWG DVI SPECIFICATION. REFER TO THIS SPECIFICATION FOR CONNECTOR MATING DIMENSIONS.
7. MOUNTING JACKPOST IS MOLEX P/N 71781-0001. REFER TO PRODUCT SPECIFICATION NUMBER PS-74320-001 FOR THE APPLICATION TORQUE REQUIREMENT FOR ASSEMBLING MOUNTING HARDWARE.



PART NUMBER	PLATING OPTION (TERMINAL)	DIM "A"	DIM "B"
74320-9070	1 (30u" GOLD)	.092/2.34	.080±.020
74320-9071	1 (30u" GOLD)	.050/1.27	2.03±0.51
74320-9073	1 (30u" GOLD)	.123/3.12	.110/2.79
74320-9074	2 (GOLD FLASH)	.092/2.34	.080±.020
74320-9075	2 (GOLD FLASH)	.050/1.27	2.03±0.51
74320-9076	2 (GOLD FLASH)	.110/2.79	.110/2.79
74320-9077	2 (GOLD FLASH)	.123/3.12	.110/2.79

NEW PRODUCT	EC NO. T2002-0153	DRWNAME Lin '02/01/02
CHK:	CHK:	CHK:
APPR:	APPR:	APPR:
REV	B	

QUALITY SYMBOLS	GENERAL TOLERANCES: (UNLESS SPECIFIED)	SCALE	DESIGN UNITS
MAJOR ▽=0	mm INCH	4 : 1	mm <input type="checkbox"/> INCH <input checked="" type="checkbox"/>
CRITICAL ▽=0	4 PLACES ±0. ±.		
	3 PLACES ±0. ±.010		
	2 PLACES ±0.25 ±.		
	1 PLACE ±0. ±.		
	ANGULAR: ± 1/2°		
DRAFT WHERE APPLICABLE MUST REMAIN WITHIN DIMENSIONS			

THIRD ANGLE PROJECTION	TITLE: DVI - DIGITAL R/A JACKPOST-PRE-TIGHTEN TYPE WITH RECEPTACLE CONN.	MATERIAL NO. SEE CHART	DRAWING NO. SD-74320-037	SHEET NO. 1 OF 2
DRAWN BY & DATE: Allen Lin '01/11/20		CHECKED BY & DATE: VLIN '01/11/20		APPROVED BY & DATE: ELAN '01/11/20
CAD FILENAME: S7432037.S01		MATERIAL NO. SEE CHART		DRAWING NO. SD-74320-037
THIS DRAWING CONTAINS INFORMATION THAT IS PROPRIETARY TO MOLEX INCORPORATED AND SHOULD NOT BE USED WITHOUT WRITTEN PERMISSION.				