

PLEASE CHECK WWW.MOLEX.COM FOR LATEST PART INFORMATION

Part Number: [0039036124](#)
Status: **Active**
Overview: [standard_093](#)
Description: 2.36mm (.093") Diameter Standard .093" Pin and Socket Receptacle Housing With Positive Latch, UL 94V-2, 12 Circuits

Documents:

3D Model	Product Specification PS-3191-003 (PDF)
Drawing (PDF)	Product Specification PS-3191-005 (PDF)
Product Specification PS-3191-001 (PDF)	RoHS Certificate of Compliance (PDF)

Agency Certification

CSA	LR19980
TUV	R72081037
UL	E29179

General

Product Family	Crimp Housings
Series	3191
Comments	Polarized to Mating Part
Overview	standard_093
Product Name	Standard .093"

Physical

Breakaway	No
Circuits (maximum)	12
Circuits Detail	3x4
Color - Resin	Natural
Flammability	94V-2
Gender	Dual
Glow-Wire Compliant	No
Keying to Mating Part	None
Lock to Mating Part	Yes
Material - Resin	Nylon
Number of Rows	3
Packaging Type	Bag
Panel Mount	No
Pitch - Mating Interface (in)	0.264 In
Pitch - Mating Interface (mm)	6.71 mm
Polarized to Mating Part	Yes
Stackable	No
Temperature Range - Operating	-40°C to +105°C

Electrical

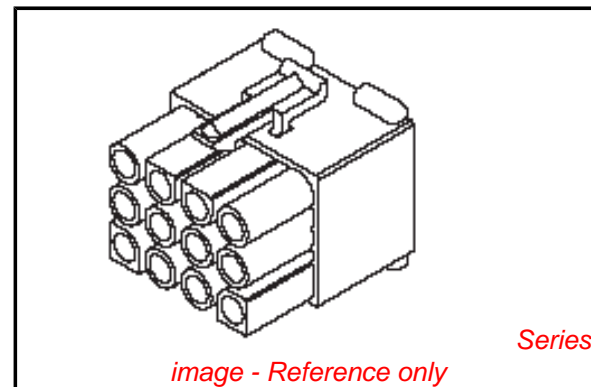
Current - Maximum per Contact	7A
-------------------------------	----

Material Info

Old Part Number	3191-12R1
-----------------	-----------

Reference - Drawing Numbers

Packaging Specification	SPK-3191-001
Product Specification	PS-3191-001, PS-3191-003, PS-3191-005, RPS-3191-001, RPS-3191-002
Sales Drawing	SD-3191-12R1-*



EU RoHS

ELV and RoHS Compliant
REACH SVHC Contains SVHC: No
Halogen-Free
Status Not Reviewed

China RoHS



Need more information on product environmental compliance?

Email productcompliance@molex.com
 For a multiple part number RoHS Certificate of Compliance, [click here](#)

Please visit the [Contact Us](#) section for any non-product compliance questions.

Search Parts in this Series

[3191Series](#)

Mates With

[3191](#) Pin and Socket Plug, [5219](#) Vertical PCB Header

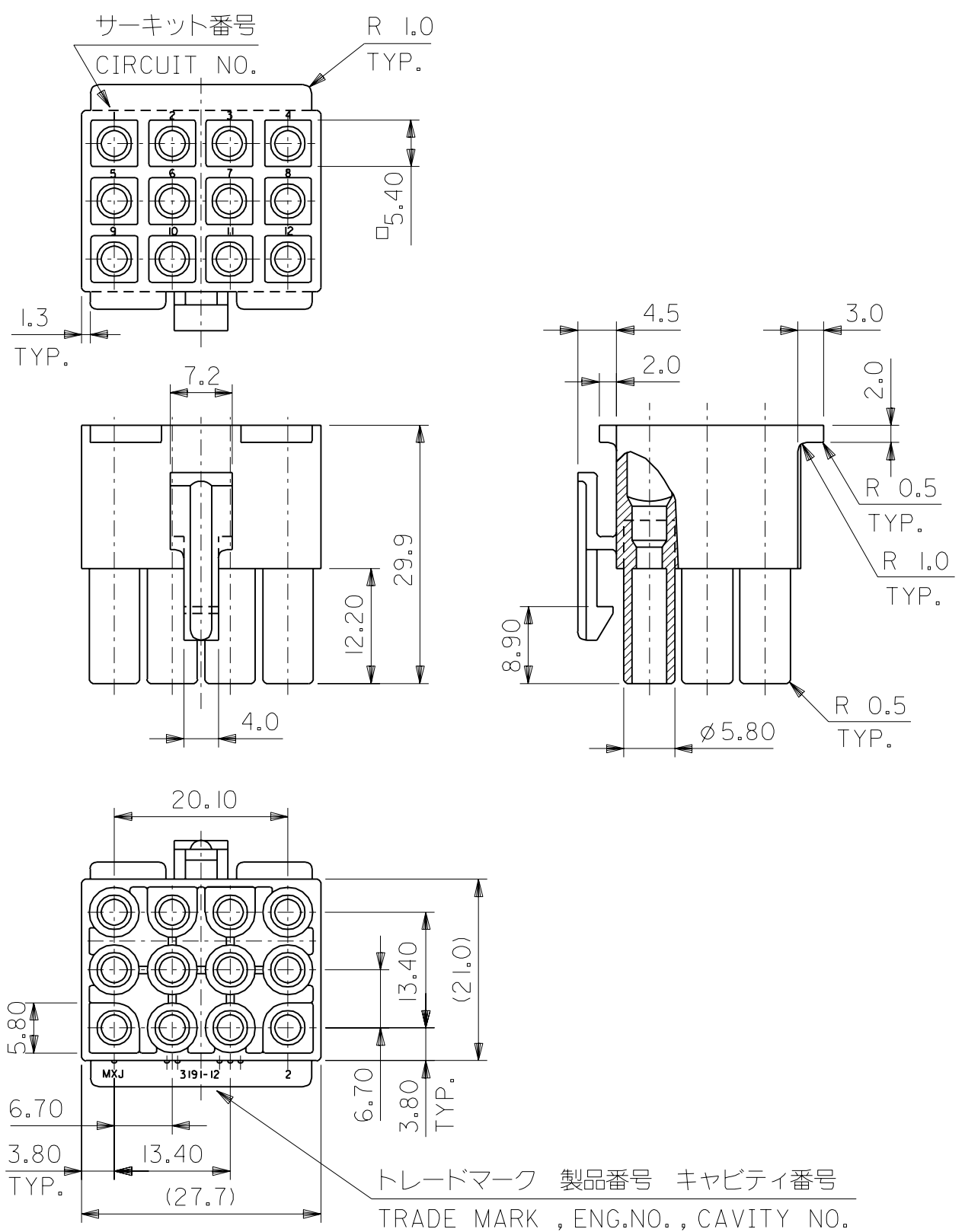
Use With

[1189](#) Crimp Terminals, [1190](#) Crimp Terminals, [1380](#) Male Crimp Terminals, [1381](#) Female Crimp Terminals, [1433](#) Crimp Terminals, [1434](#) Male Crimp Terminals, [2605](#) , [2606](#) , [1973](#) , [2151](#) , [2273](#) , [2870](#) , [2871](#) , [4272](#) , Lin

This document was generated on 05/19/2010

PLEASE CHECK WWW.MOLEX.COM FOR LATEST PART INFORMATION

DWG. NO.
SD-3191-12R1-*



注)
NOTE.
1. () 内寸法は参考
(DIMENSIONS IN () ARE REFERENCE)

トレードマーク 製品番号 キャビティ番号
TRADE MARK , ENG.NO. , CAVITY NO.

3191-12R1-201	39-03-6125	ナイロン66 NYLON66	94V-0
3191-12R1	39-03-6124	ナイロン66 NYLON66	94V-2
ENG.NO.	EDP.NO.	材料 MATERIAL NO.	

DO NOT SCALE DRAWING

表4 NO. DRWN: CHK: APPR:	表3 NO. DRWN: CHK: APPR:	表2 NO. DRWN: CHK: APPR:	表1 NO. DRWN: CHK: APPR:	REDRAWN 表0 NO. JC2000-0626 DRWN: K.KOHAMA '00/ 3/28 CH'K: T.YAMAGUCHI '00/ 3/31 APPR: M.FUKUSHIMA '00/ 3/31
				MATERIAL 材料 表参照 SEE TABLE
				FINISH 仕上げ — # —
				WIRE RANGE 適用電線範囲 — # —
				INS. RANGE 被覆外径 — # —

GENERAL TOLERANCES: (UNLESS SPECIFIED) 一般公差		SCALE — # —	DESIGN UNITS <input checked="" type="checkbox"/> mm <input type="checkbox"/> INCH	DIMENSIONS: <input type="checkbox"/> mm <input type="checkbox"/> INCH <input checked="" type="checkbox"/> mm ONLY	SHT REV
10 UNDER 未満	±0.25 ±0.2	DRAWN BY & DATE K.KOHAMA '00/ 3/28		TITLE: 12 CKT. REC. HS'G (.093 DIA. TERM.)	
10 OVER 以上 30 UNDER 未満	±0.3 ±0.25	CHECKED BY & DATE T.YAMAGUCHI '00/ 3/31		<input checked="" type="checkbox"/> FIRST ANGLE PROJECTION	
30 OVER 以上	±0.35 ±0.3	APPROVED BY & DATE M.FUKUSHIMA '00/ 3/31		MOLEX INCORPORATED	
ANGLE 角度	±3°	CAD FILENAME S319112.S10	MATERIAL NO. 3191-12R1-*	DRAWING NO. SD-3191-12R1-*	SHEET NO. 1

THIS DRAWING CONTAINS INFORMATION THAT IS PROPRIETARY TO MOLEX INCORPORATED AND SHOULD NOT BE USED WITHOUT WRITTEN PERMISSION.

SIZE B