

PLEASE CHECK WWW.MOLEX.COM FOR LATEST PART INFORMATION

Part Number: [0548611770](#)
Status: **Active**
Description: 2.00mm (.079") Pitch HIC/LCD Pin Connector, Vertical, SMT, 17 Circuits, Lead Free

Documents:

[3D Model](#) [Product Specification PS-54861-005 \(PDF\)](#)
[Drawing \(PDF\)](#) [RoHS Certificate of Compliance \(PDF\)](#)

General

Product Family Other Sockets
 Series [54861](#)
 Component Type Socket
 Product Name N/A

Physical

Circuits (Loaded) 17
 Color - Resin Natural
 Durability (mating cycles max) 10
 Entry Angle Vertical
 Keying to Mating Part N/A
 Material - Metal Phosphor Bronze
 Material - Plating Mating Tin
 Material - Plating Termination Tin
 PCB Locator Yes
 PCB Retention Yes
 Packaging Type Embossed Tape on Reel
 Pitch - Mating Interface (in) 0.079 In
 Pitch - Mating Interface (mm) 2.00 mm
 Temperature Range - Operating -40°C to +105°C
 Termination Interface: Style Surface Mount

Electrical

Current - Maximum per Contact 1A
 Voltage - Maximum 125V AC (RMS)/DC

Material Info

Reference - Drawing Numbers

Product Specification PS-54861-005, RPS-54861-014
 Sales Drawing SD-54861-006, SD-54861-013

EU RoHS

**ELV and RoHS
Compliant**

REACH SVHC

Not Reviewed

Halogen-Free

Status

Not Reviewed

China RoHS



**Need more information on product
environmental compliance?**

Email productcompliance@molex.com
 For a multiple part number RoHS Certificate of
 Compliance, [click here](#)

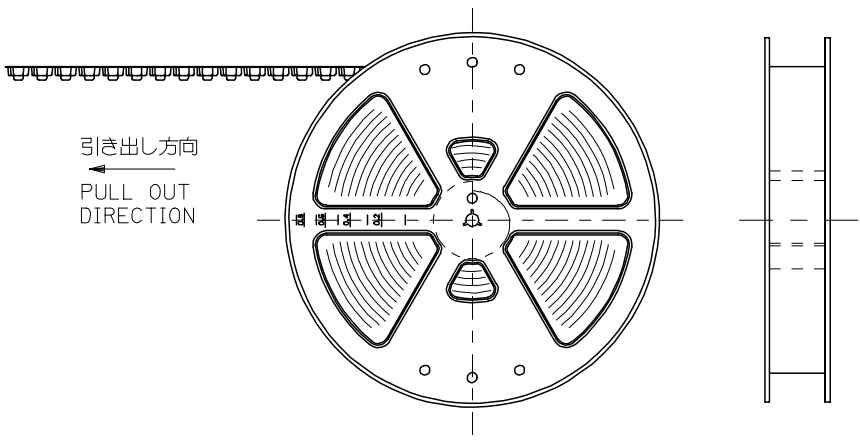
Please visit the [Contact Us](#) section for any
 non-product compliance questions.

Search Parts in this Series

[54861Series](#)

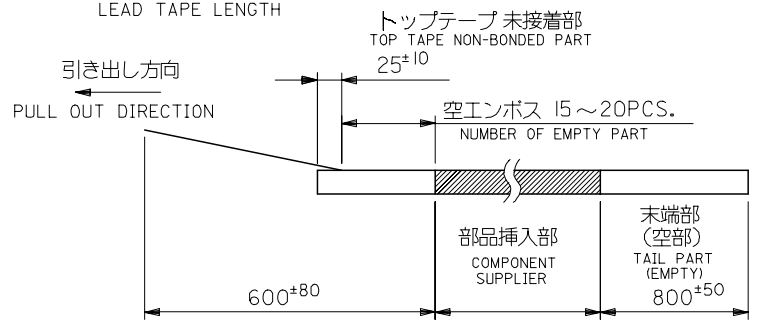
Mates With

LCD Pin|HIC Pin

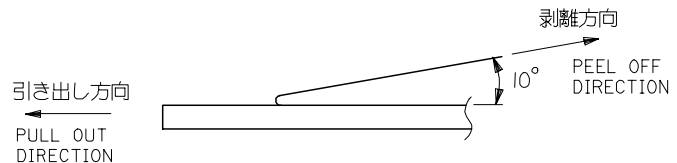


注記
NOTES

1. 梱包数量：1000個/リール
NUMBER OF CONNECTORS : 1000PCS/REEL
2. リードテープ長さ
LEAD TAPE LENGTH



3. トップテープの剥離強度：60 ± 35gf(剥離方向は下図参照)
尚、本規格値は、出荷時に適用。(但し、輸送時に剥離が発生しないこと。)
PEELING OFF FORCE OF TOP TAPE : 60 ± 35gf.
(PEELING DIRECTION AS SHOWN IN FOLLOWING FIG.)
THIS REQUIREMENT SHOULD BE APPLIED AT SHIPMENT.
(PEELING OFF SHOULD NOT BE ALLOWED, DURING TRANSPORTATION.)



4. 材料 (MATERIAL)
キャリアテープ：ポリスチレン (PS)
CARRIER TAPE : POLYSTYRENE (PS)
トップテープ：PET, PE, PEF
TOP TAPE : PET, PE, PEF
リール：ポリスチレン
REEL : POLYSTYRENE

REVISED EC NO: J2007-2110 DRWNG: SHIBATA 2007/03/12 CHKD: TAITO 2007/03/12 APPR: KANESHIGE 2007/03/14 G	GENERAL TOLERANCES (UNLESS SPECIFIED)		DIMENSION STYLE MM ONLY		SCALE ---	DESIGN UNITS METRIC	THIRD ANGLE PROJECTION	
	10 UNDER	± 0.2	DRAWN BY H. TAMURA	DATE 2000/10/04	TITLE 2.0 HIC/LCD CONN. EMBOSSSED TAPE PACKAGE			
	10 ⁰ OVER 30 UNDER	± 0.25	CHECKED BY M. SAKANO	DATE 2000/10/04	MOLEX MOLEX INCORPORATED			
	30 ⁰ OVER	± 0.3	APPROVED BY T. KODAMA	DATE 2000/10/04	MATERIAL NO.		DOCUMENT NO. SD-54861-006	SHEET NO. 1 OF 3
	ANGULAR	± 3 °	DRAFT WHERE APPLICABLE MUST REMAIN WITHIN DIMENSIONS		SEE CHART			

10 9 8 7 6 5 4 3 2 1

F

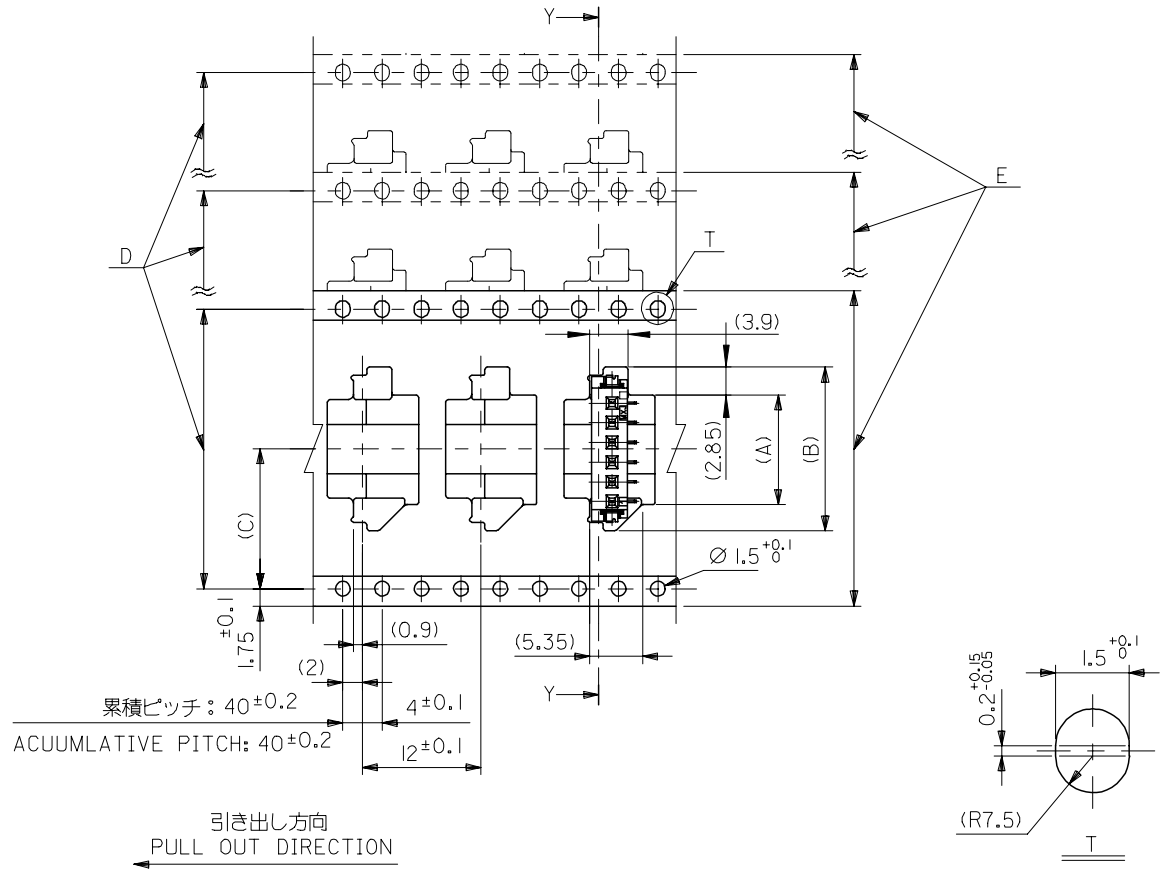
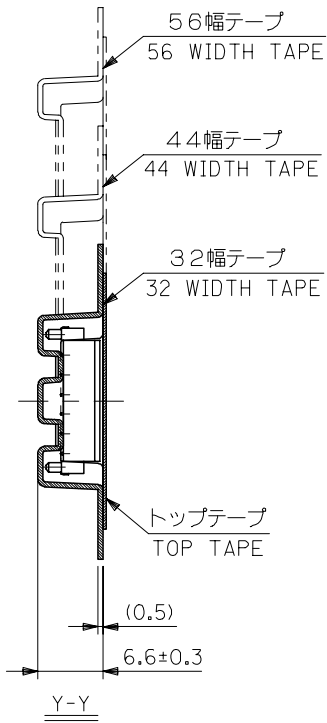
E

D

C

B

A



REVISED EC NO: J2007-2110 DRWNG: SHIBATA 2007/03/12 CHKD: TAITO 2007/03/12 APPR: KANESHIGE 2007/03/14 G REV	GENERAL TOLERANCES (UNLESS SPECIFIED)		DIMENSION STYLE MM ONLY		SCALE 2:1	DESIGN UNITS METRIC	THIRD ANGLE PROJECTION		
	10 UNDER	±0.2	DRAWN BY H. TAMURA		DATE 2000/10/04		TITLE 2.0 HIC/LCD CONN. EMBOSSSED TAPE PACKAGE		
	10 OVER 30 UNDER	±0.25	CHECKED BY M. SAKANO		DATE 2000/10/04				
	30 OVER	±0.3	APPROVED BY T. KODAMA		DATE 2000/10/04		MOLEX INCORPORATED		
	ANGULAR	±3 °	MATERIAL NO.		DOCUMENT NO.				
DRAFT WHERE APPLICABLE MUST REMAIN WITHIN DIMENSIONS			SEE CHART		SD-54861-006		2 OF 3		
SIZE A3 THIS DRAWING CONTAINS INFORMATION THAT IS PROPRIETARY TO MOLEX INCORPORATED AND SHOULD NOT BE USED WITHOUT WRITTEN PERMISSION									

10 9 8 7 6 5 4 3 2 1

F

E

D

C

B

A

無鉛 LEAD FREE	56.4	56	52.4	26.2	44.6	39.3	54861-2070	20	○
					42.6	37.3	54861-1970	19	○
					40.6	35.3	54861-1870	18	—
					38.6	33.3	54861-1770	17	○
					36.6	31.3	54861-1670	16	○
					34.6	29.3	54861-1570	15	○
	44.4	44	40.4	20.2	32.6	27.3	54861-1470	14	○
					30.6	25.3	54861-1370	13	—
					28.6	23.3	54861-1270	12	○
					26.6	21.3	54861-1170	11	—
					24.6	19.3	54861-1070	10	○
					22.6	17.3	54861-0970	09	—
	32.4	32	28.4	14.2	20.6	15.3	54861-0870	08	○
					18.6	13.3	54861-0770	07	—
					16.6	11.3	54861-0670	06	○
有鉛 LEADED	56.4	56	52.4	26.2	44.6	39.3	54861-2090	20	○
					42.6	37.3	54861-1990	19	—
					40.6	35.3	54861-1890	18	—
					38.6	33.3	54861-1790	17	—
					36.6	31.3	54861-1690	16	○
					34.6	29.3	54861-1590	15	—
	44.4	44	40.4	20.2	32.6	27.3	54861-1490	14	—
					30.6	25.3	54861-1390	13	—
					28.6	23.3	54861-1290	12	○
					26.6	21.3	54861-1190	11	—
					24.6	19.3	54861-1090	10	○
					22.6	17.3	54861-0990	09	—
	32.4	32	28.4	14.2	20.6	15.3	54861-0890	08	○
					18.6	13.3	54861-0790	07	—
					16.6	11.3	54861-0690	06	○
F	E キャリアテープ幅 CARRIER TAPE WIDTH		D	(C)	(B)	(A)	製品番号 MATERIAL NO.	極数 CIRCUITS	量産対応 AVAILABLE

REVISED EC NO: J2007-2110 DRW: SHIBATA 2007/03/12 CHKD: TAITO 2007/03/12 APPR: KANESHIGE 2007/03/14 G REV	GENERAL TOLERANCES (UNLESS SPECIFIED)		DIMENSION STYLE MM ONLY		SCALE ---	DESIGN UNITS METRIC	THIRD ANGLE PROJECTION	
	10 UNDER	± 0.2	DRAWN BY H. TAMURA		DATE 2000/10/04	TITLE 2.0 HIC/LCD CONN. EMBOSSSED TAPE PACKAGE		
	10 OVER 30 UNDER	± 0.25	CHECKED BY M. SAKANO		DATE 2000/10/04	MOLEX INCORPORATED		
	30 OVER	± 0.3	APPROVED BY T. KODAMA		DATE 2000/10/04	DOCUMENT NO. SD-54861-006		
	ANGULAR	± 3 °	MATERIAL NO.		SEE CHART		SHEET NO. 3 OF 3	
DRAFT WHERE APPLICABLE MUST REMAIN WITHIN DIMENSIONS		SIZE A3		THIS DRAWING CONTAINS INFORMATION THAT IS PROPRIETARY TO MOLEX INCORPORATED AND SHOULD NOT BE USED WITHOUT WRITTEN PERMISSION				

9

8

7

6

5

4

3

2

