

Series: **F**

Electric Double Layer Capacitors  
(Gold Capacitor)

Japan

### ■ Features

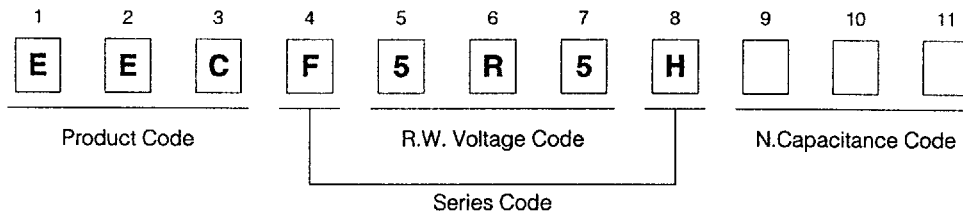
For CMOS memory back-up

- Life: 1000 hours at +85 °C
- Maximum height 9.5 mm

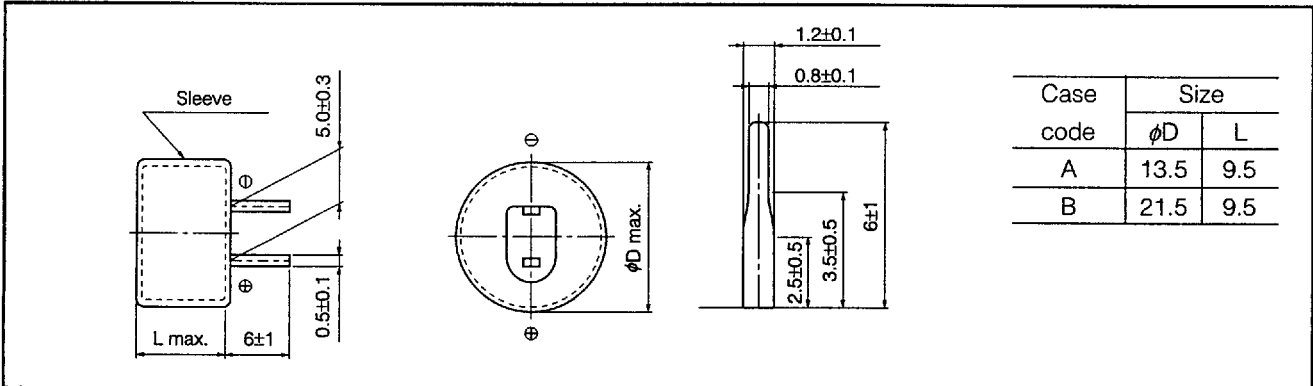
### ■ Specifications

|                                    |  |   |
|------------------------------------|--|---|
| Operating Temp. Range              | -25 to +85 °C  |   |
| Rated Working Voltage              | 5.5 V.DC   |   |
| Nominal Cap. Range                 | 0.033 to 0.1 F (A size), 0.47 to 0.68 F (B size)   |   |
| Capacitance Tolerance              | +80 %<br>-20 % (+20 °C)  |   |
| Characteristics at Low Temperature | Capacitance change   | ±30 % of initial measured value at +20 °C (-25 to +85 °C) |
|                                    | Internal resistance  | ≤ 5 times of initial measured value at +20 °C (at -25 °C) |
| Endurance                          | After 1000 hours application of rated DC working voltage at +85 °C, the capacitor shall meet the following limits. |   |
|                                    | Capacitance change   | ±30 % of initial measured value                           |
|                                    | Internal resistance  | ≤ 4 times of initial specified value                      |
| Shelf Life                         | After 1000 hours storage at +85 °C without load, the capacitor shall meet the specified limits for "Endurance".    |   |
| Moisture Resistance                | After 500 hours storage at +55 °C, 90 to 95% R.H., the capacitor shall meet the specified limits for "Endurance".  |   |

### ■ Explanation of Part Numbers



### ■ Dimensions in mm (not to scale)



### ■ Standard products

| Rated W.V. (V. DC) | Capacitance (F) | Part number | Capacitance range (F) | Internal resistance (Ω) at 1 kHz | Case code |
|--------------------|-----------------|-------------|-----------------------|----------------------------------|-----------|
| 5.5                | 0.033           | EECF5R5H333 | 0.0264 to 0.0594      | ≤150                             | A         |
|                    | 0.047           | EECF5R5H473 | 0.0376 to 0.0846      | ≤120                             | A         |
|                    | 0.10            | EECF5R5H104 | 0.080 to 0.180        | ≤100                             | A         |
|                    | 0.47            | EECF5R5H474 | 0.376 to 0.846        | ≤ 75                             | B         |
|                    | 0.68            | EECF5R5H684 | 0.476 to 1.224        | ≤ 50                             | B         |

### ■ Current characteristics

