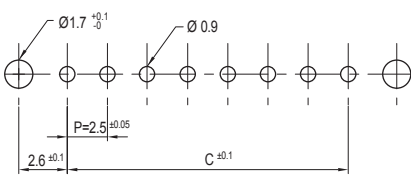
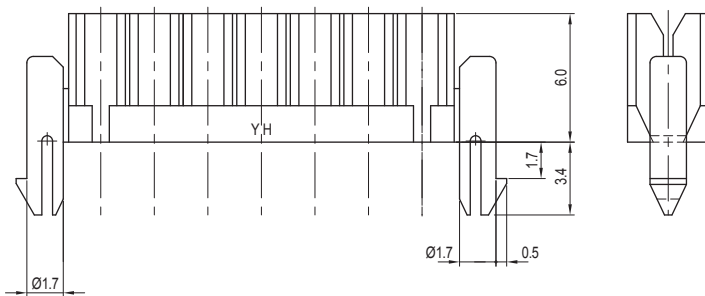
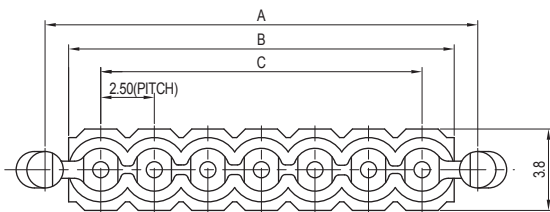
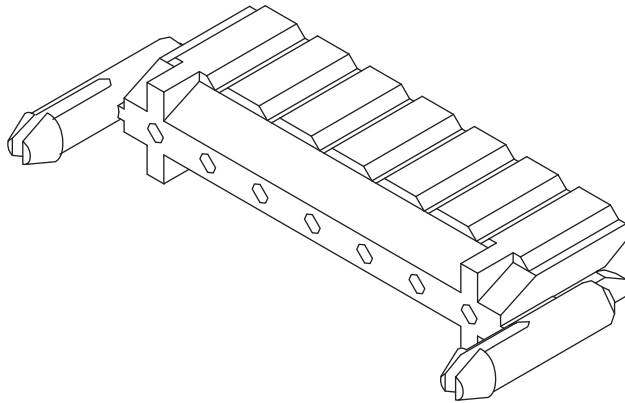


# 2.50mm (0.098") PITCH CONNECTOR

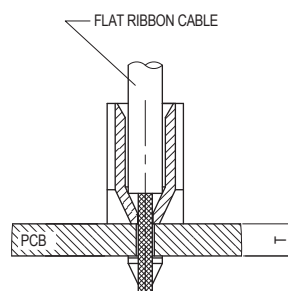


Cable Holder Connector  
Flat Ribbon Cable Housing

**YCH250 Series**  
**CABLE SOCKET**



PCB LAYOUT



PCB ASS'Y

## Material

I/NO	DESCRIPTION	TITLE	MATERIAL
1	HOUSING	YCH250	PA66, UL94 V Grade

## Available Pin

PARTS NO.	DIM. A	DIM. B	DIM. C
YCH250-02	7.7	5.5	2.5
YCH250-03	10.2	8.0	5.0
YCH250-04	12.7	10.5	7.5
YCH250-05	15.2	13.0	10.0
YCH250-06	17.7	15.5	12.5
YCH250-07	20.2	18.0	15.0
YCH250-08	22.7	20.5	17.5
YCH250-09	25.2	23.0	20.0
YCH250-10	27.7	25.5	22.5
YCH250-11	30.2	28.0	25.0
YCH250-12	32.7	30.5	27.5
YCH250-13	35.2	33.0	30.0
YCH250-14	37.7	35.5	32.5
YCH250-15	40.2	38.0	35.0

## Specification

ITEM	SPEC
Voltage Rating	AC/DC 250V
Current Rating	-
Operating Temperature	-25°C~+85°C
Contact Resistance	-
Withstanding Voltage	-
Insulation Resistance	-
Applicable Wire	-
Applicable P.C.B	1.2~1.6mm
Applicable FPC/FFC	-
Solder Height	-
Crimp Tensile Strength	-
UL FILE NO	-