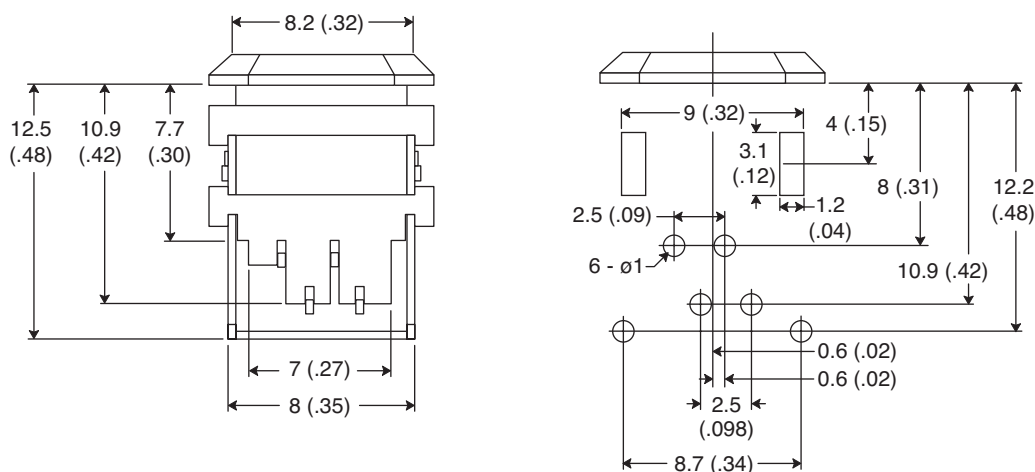
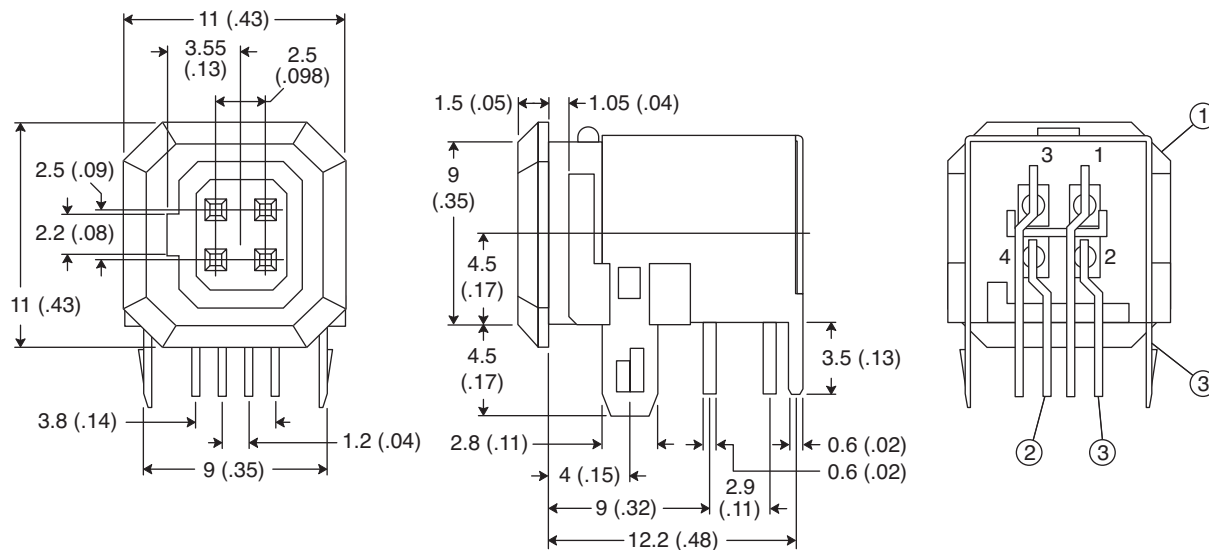


IRIS Connector for PC Board

163-157J



IRIS Connector for PC Board



PC Board Hole Layout (Bottom View)

Part	Material	Finish
Body (1)	PBT	---
Terminal B (2)	Brass	Sn
Terminal A (3)	Brass	Sn
Shielding Plate (4)	Steel	Sn

Dimensions: mm (In.)

ELECTRICAL SPECIFICATIONS	
Rating:	0.5A 30VDC
Withstand Voltage:	150VAC for 1 minute
Contact Resistance:	20m Ω Max.
Insulation Resistance:	100 VDC, 100M Ω above
Operation Temperature:	-10°C ~ +70°C

Date Last Revised: 4/18/05

Available from Mouser Electronics
 1-800-346-6873
 www.mouser.com

KC- 300260

163-157J