

**PLEASE CHECK WWW.MOLEX.COM FOR LATEST PART INFORMATION**

**Part Number:** [0354209802](#)  
**Status:** **Active**  
**Description:** Tab Crimp Terminal 35420, AVS (CAVS) 0.50-1.25mm<sup>2</sup> (.020-.050")

**Documents:**

[Drawing \(PDF\)](#) [Product Specification PS-35385-001 \(PDF\)](#)  
[Product Specification PS-35282-001 \(PDF\)](#) [RoHS Certificate of Compliance \(PDF\)](#)

**General**

Product Family	Crimp Terminals
Series	<a href="#">35420</a>
Crimp Quality Equipment	Yes
Product Name	N/A

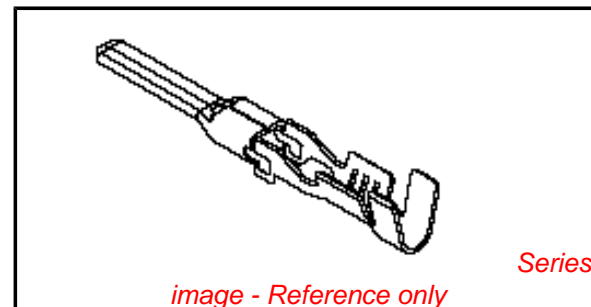
**Physical**

Gender	Male
Material - Metal	Brass
Material - Plating Mating	Tin
Material - Plating Termination	Tin
Packaging Type	Reel
Termination Interface: Style	Crimp or Compression
Wire Insulation Diameter	2.60mm (.102") max.
Wire Size AWG	16, 18
Wire Size mm <sup>2</sup>	N/A

**Material Info**

**Reference - Drawing Numbers**

Product Specification	PS-35282-001, PS-35385-001
Sales Drawing	SD-35420-9*02



**EU RoHS**

**ELV and RoHS  
Compliant**

**REACH SVHC**

**Contains SVHC: No**

**Halogen-Free**

**Status**

**Halogen-Free**

**China RoHS**



**Need more information on product  
environmental compliance?**

Email [productcompliance@molex.com](mailto:productcompliance@molex.com)  
 For a multiple part number RoHS Certificate of  
 Compliance, [click here](#)

Please visit the [Contact Us](#) section for any  
 non-product compliance questions.

**Search Parts in this Series**

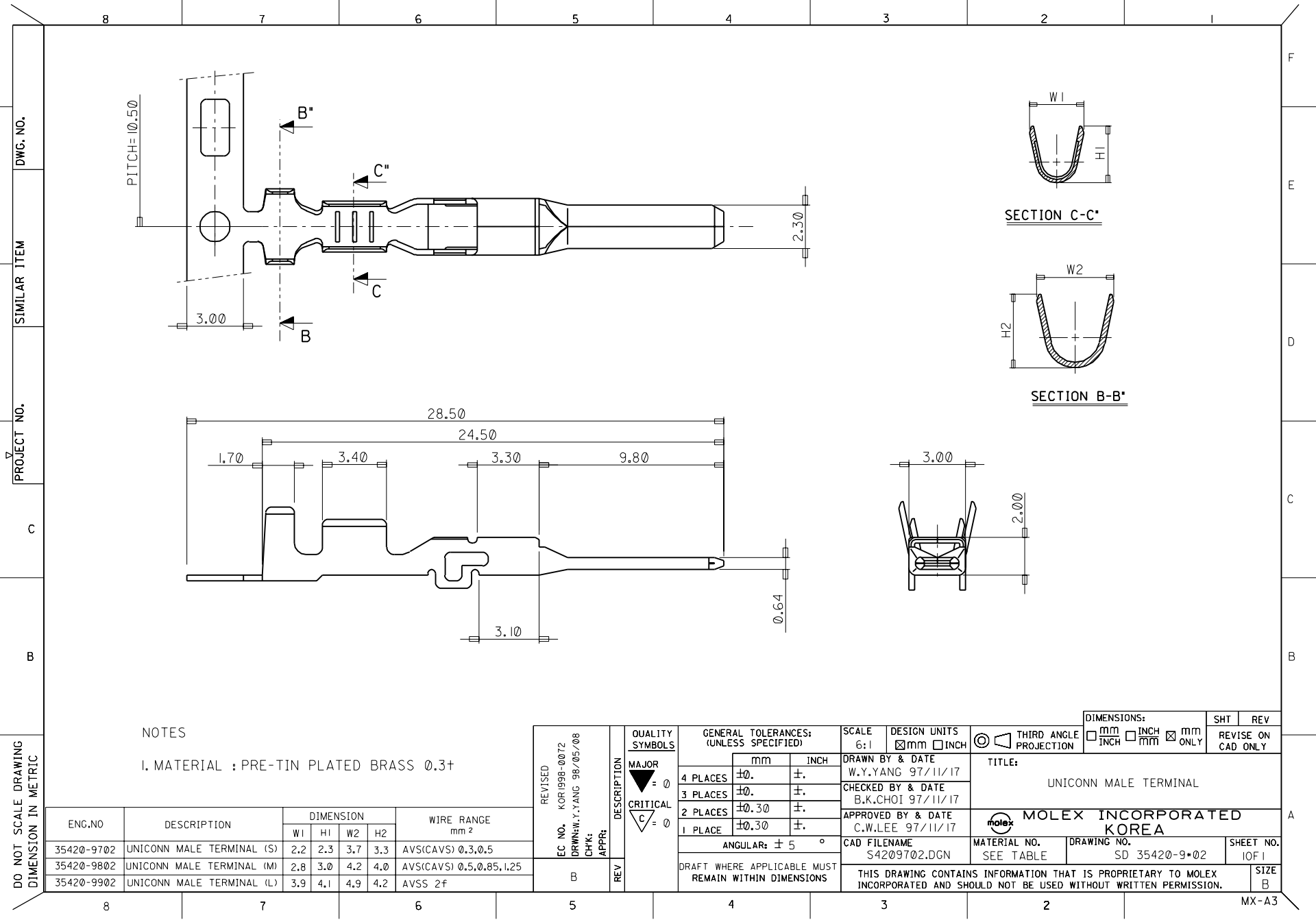
[35420Series](#)

**Mates With**

35421

**Use With**

35380 , 35376



NOTES

1. MATERIAL : PRE-TIN PLATED BRASS 0.3+

ENG.NO	DESCRIPTION	DIMENSION				WIRE RANGE mm <sup>2</sup>
		W1	H1	W2	H2	
35420-9702	UNICONN MALE TERMINAL (S)	2.2	2.3	3.7	3.3	AVS(CAVS) 0.3,0.5
35420-9802	UNICONN MALE TERMINAL (M)	2.8	3.0	4.2	4.0	AVS(CAVS) 0.5,0.85,1.25
35420-9902	UNICONN MALE TERMINAL (L)	3.9	4.1	4.9	4.2	AVSS 2f

REVISED	EC NO. KOR 998-0072
	DRWN:W.YANG 98/05/08
	CHK: CHK:
	APPR: APPR:
REV	B

QUALITY SYMBOLS	MAJOR △ = 0
	CRITICAL ▽ = 0

	GENERAL TOLERANCES: (UNLESS SPECIFIED)	
	mm	INCH
4 PLACES	±0.	±.
3 PLACES	±0.	±.
2 PLACES	±0.30	±.
1 PLACE	±0.30	±.
ANGULAR: ± 5 °		
DRAFT WHERE APPLICABLE MUST REMAIN WITHIN DIMENSIONS		

SCALE	6:1
DESIGN UNITS	<input checked="" type="checkbox"/> mm <input type="checkbox"/> INCH
DRAWN BY & DATE	W.Y.YANG 97/11/17
CHECKED BY & DATE	B.K.CHOI 97/11/17
APPROVED BY & DATE	C.W.LEE 97/11/17
CAD FILENAME	S4209702.DGN

DIMENSIONS:		SHT	REV
<input type="checkbox"/> mm <input type="checkbox"/> INCH	<input checked="" type="checkbox"/> mm ONLY		REVISE ON CAD ONLY
THIRD ANGLE PROJECTION		TITLE: UNICONN MALE TERMINAL	
MATERIAL NO. SEE TABLE		DRAWING NO. SD 35420-9*02	
SHEET NO. 10F1		SIZE B	
THIS DRAWING CONTAINS INFORMATION THAT IS PROPRIETARY TO MOLEX INCORPORATED AND SHOULD NOT BE USED WITHOUT WRITTEN PERMISSION.			