

PLEASE CHECK WWW.MOLEX.COM FOR LATEST PART INFORMATION

Part Number: [5018303201](#)
Status: **Active**
Overview: [cmc connectors](#)
Description: CMC Wire-to-Wire Connector Rec Housing Wire Dress Cover, 32 Circuits

Documents:

[Drawing \(PDF\)](#) [RoHS Certificate of Compliance \(PDF\)](#)

General

Product Family	Accessories
Series	501830
Component Type	Cover
Overview	cmc connectors
Product Name	CMC

Physical

Breakaway	No
Circuits (Loaded)	N/A
Circuits (maximum)	0
Color - Resin	Black
Gender	Receptacle
Material - Resin	Nylon
Number of Rows	0
Packaging Type	Bag
Polarized to Mating Part	N/A
Temperature Range - Operating	-40°C to +100°C

Material Info

Reference - Drawing Numbers

Application Specification	AS-500993-002
Packaging Specification	SPK-501830-001
Product Specification	RPS-500993-001
Sales Drawing	SD-501830-001

EU RoHS
ELV and RoHS
Compliant
REACH SVHC
 Not Reviewed
Halogen-Free
Status
Not Reviewed

China RoHS



Need more information on product environmental compliance?

Email productcompliance@molex.com
 For a multiple part number RoHS Certificate of Compliance, [click here](#)

Please visit the [Contact Us](#) section for any non-product compliance questions.

Search Parts in this Series
[501830Series](#)

Use With
[500993 Rec Housing](#)

10 9 8 7 6 5 4 3 2 1

注記
NOTES

1. 材料 MATERIAL
 ピン : 黄銅, ニッケル下地鍍メッキ
 PIN : BRASS, Sn OVER Ni PLATED
 ハウジング : PBT (ガラス入り: 15%), UL94V-0
 HOUSING : PBT (G.F.: 15%), UL94V-0
2. 嵌合相手 : 51353シリーズ
 MATE WITH : 51353 SERIES

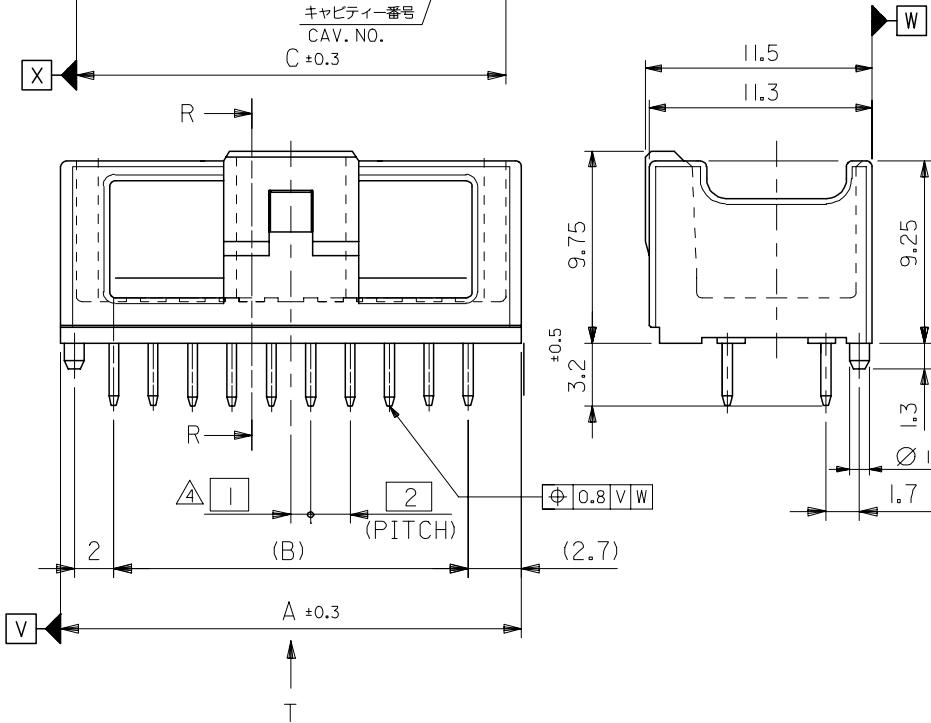
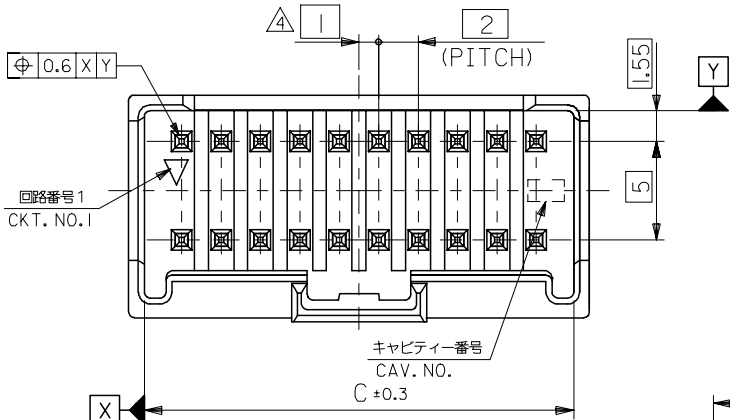
△4 (全極数/2) = 偶数の場合に適用。
 APPLY FOR (CIRCUIT/2) = EVEN

△3 製品番号
 MATERIAL NO.

501844-***|*

極数CIRCUIT SIZE | 色 COLOR

ナチュラル (白) NATURAL (WHITE)	0
黒 BLACK	1
赤 RED	2
黄 YELLOW	3
青 BLUE	4
桃 PINK	5
緑 GREEN	6
茶 BROWN	7
橙 ORANGE	8
紫 VIOLET	9



41.8	38	43.4	501844-40 *	40
39.8	36	41.4	-38 *	38
37.8	34	39.4	-36 *	36
35.8	32	37.4	-34 *	34
33.8	30	35.4	-32 *	32
31.8	28	33.4	-30 *	30
29.8	26	31.4	-28 *	28
27.8	24	29.4	-26 *	26
25.8	22	27.4	-24 *	24
23.8	20	25.4	-22 *	22
21.8	18	23.4	-20 *	20
19.8	16	21.4	-18 *	18
17.8	14	19.4	-16 *	16
15.8	12	17.4	-14 *	14
13.8	10	15.4	-12 *	12
11.8	8	13.4	-10 *	10
9.8	6	11.4	501844-08 *	8
C	B	A	△3 MATERIAL NO. CKT.	

RELEASED EC NO: J2005-3754 DRW:KTAKAHASHI 2005/06/17 CHK:DKASAKAWA 2005/06/17 APPR:SI CHIKAWA 2005/06/17	GENERAL TOLERANCES (UNLESS SPECIFIED)		DIMENSION STYLE MM ONLY		SCALE ---	DESIGN UNITS METRIC	THIRD ANGLE PROJECTION
	10 UNDER	±0.2	DRAWN BY KTAKAHASHI	DATE 05/06/16	TITLE 2.0MM W/B DUAL CONN DIP PLUG ASS'Y ST(WITH BOSS) -LEAD FREE-		
	10 OVER 30 UNDER	±0.25	CHECKED BY KASAKAWA	DATE 05/06/16	MOLEX INCORPORATED		
	30 OVER	±0.3	APPROVED BY SI CHIKAWA	DATE 05/06/16	DOCUMENT NO. SD-501844-001		
	ANGULAR	±3 °	MATERIAL NO. 501844-*** *		SHEET NO. 1 OF 2		

DRAFT WHERE APPLICABLE MUST REMAIN WITHIN DIMENSIONS

SIZE A3 THIS DRAWING CONTAINS INFORMATION THAT IS PROPRIETARY TO MOLEX INCORPORATED AND SHOULD NOT BE USED WITHOUT WRITTEN PERMISSION

10 9 8 7 6 5 4 3 2 1

F

F

E

E

D

D

C

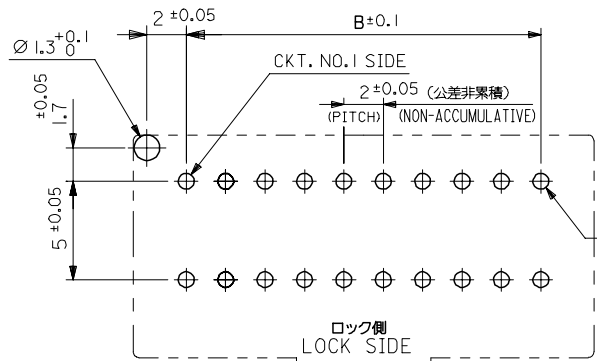
C

B

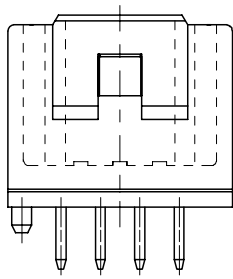
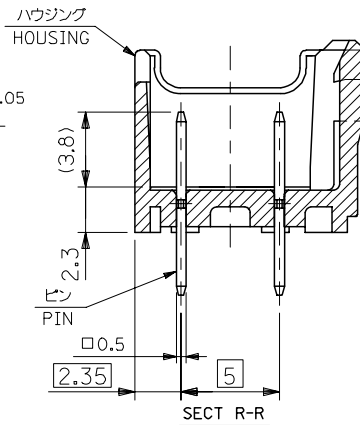
B

A

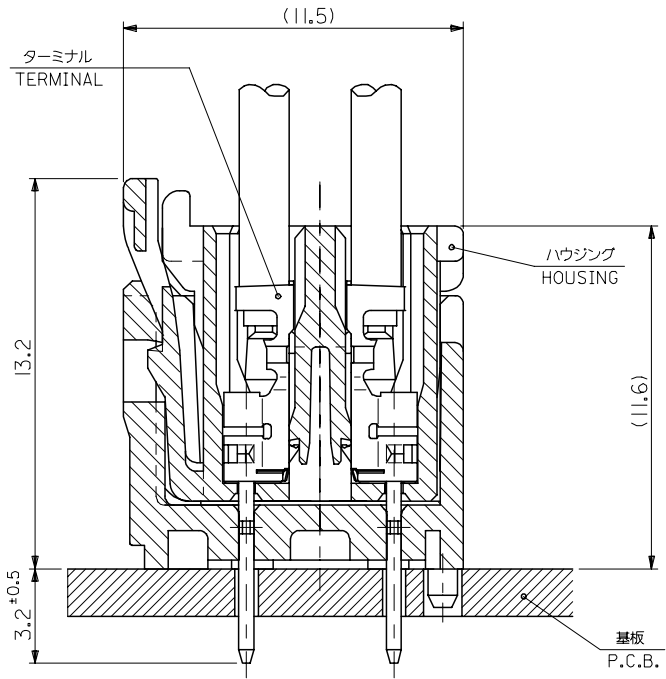
A



基板取付穴推奨寸法 (マウント面)
RECOMMENDED P.C.BOARD
HOLE DIMENSION
(MOUNTING SIDE)
(t=1.2-1.6)

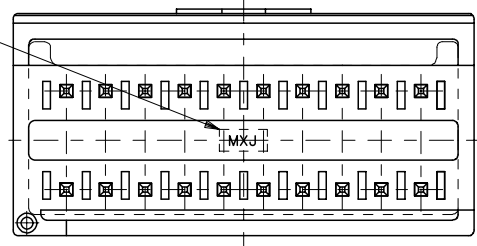


8 CIRCUIT



嵌合断面図 (参考)
MATED DRAWING (REF.)

トレードマーク
TRADE MARK



VIEW *T*

RELEASED EC NO: J2005-3754 DRW:KTAKAHASHI 2005/06/17 CHK:DKASAKAWA 2005/06/17 APPR:SCHIKAWA 2005/06/17	GENERAL TOLERANCES (UNLESS SPECIFIED)		DIMENSION STYLE MM ONLY		SCALE ---	DESIGN UNITS METRIC	THIRD ANGLE PROJECTION		
	10 UNDER	±0.2	DRAWN BY KTAKAHASHI	DATE 05/06/16	TITLE 2.0MM W/B DUAL CONN DIP PLUG ASS'Y ST(WITH BOSS) -LEAD FREE-				
	10 OVER 30 UNDER	±0.25	CHECKED BY KASAKAWA	DATE 05/06/16	MOLEX INCORPORATED				
	30 OVER	±0.3	APPROVED BY SCHIKAWA	DATE 05/06/16	MATERIAL NO. 501844-**1*		DOCUMENT NO. SD-501844-001	SHEET NO. 2 OF 2	
	ANGULAR	±3 °	DRAFT WHERE APPLICABLE MUST REMAIN WITHIN DIMENSIONS		SIZE A3		THIS DRAWING CONTAINS INFORMATION THAT IS PROPRIETARY TO MOLEX INCORPORATED AND SHOULD NOT BE USED WITHOUT WRITTEN PERMISSION		