

K5G Series Snap Action Key Switch



Features/Benefits

- Double stroke version
- Excellent tactile feel
- Low profile
- Quiet actuation
- RoHS compliant

Typical Applications

- Automotive
 - Window lift
 - Sun-roof control
- Multi-function devices

Construction

FUNCTION: Momentary action
 CONTACT ARRANGEMENT: 2 make contacts, SPST
 TERMINALS: Gullwing type for SMT

Mechanical

OPERATING FORCE FIRST STROKE: 3.7 + 0,8 - 0,5N
 OPERATING FORCE SECOND STROKE: 6.5 N + 0.8 - 0,5N
 ELECTRICAL TRAVEL FIRST STROKE: 0,5 mm
 ELECTRICAL TRAVEL SECOND STROKE: 0,85 mm
 TOTAL TRAVEL: 1 mm
 OPERATING LIFE: 30,000 actuations

Packaging

Switches are delivered on continuous tape, in reels of 500 pieces

NOTE: Specifications listed above are for switches with standard options.
 For information on specific and custom switches, consult Customer Service Center.

Electrical

	Gold	Silver
POWER MIN / MAX:	.02 VA / 1 VA	.02 VA / 1 VA
VOLTAGE MIN / MAX:	20 mVDC/50 VDC	20 mVDC/50 VDC
CURRENT MIN / MAX DC:	10µA / 100 mA	1 mA / 100 mA
CONTACT RESISTANCE:	≤ 100 mΩ	≤ 100 mΩ
INSULATION RESISTANCE:	≥ 1GΩ	≥ 1GΩ
BOUNCE TIME:	5 ms	5 ms

Environmental

OPERATING TEMPERATURE:	-40°C to +105°C	-40°C to +85°C
STORAGE TEMPERATURE:	-50°C to +125°C	-50°C to +95°C

Process

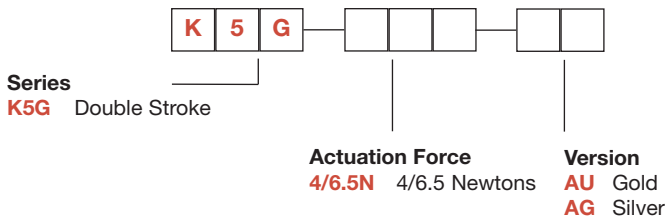
SOLDERING: Lead Free reflow compatible in accordance with CEI 60068-2-58 and Nr. 8GD000004

Materials

CONTACTS:	Au over Ni-layer	Ag on Ni-layer
SOLDERING PINS:	Au	Ag
HOUSING:	Thermoplastic UL 94 H-B	

How To Order

Our easy build-a-switch concept allows you to mix and match options to create the switch you need. To order, select desired option from each category and place it in the appropriate box.

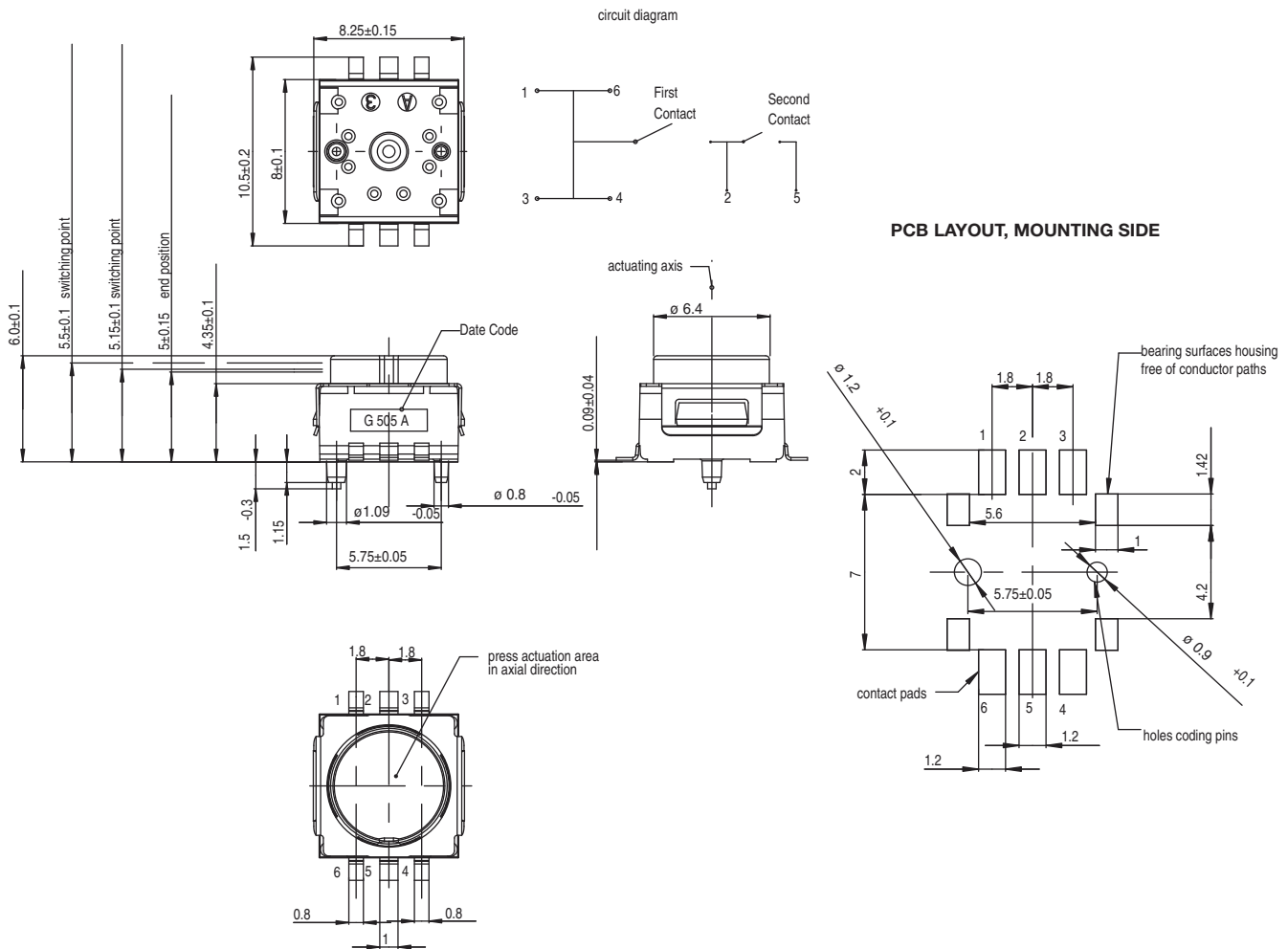


D

Key Switches

K5G Series Snap Action Key Switch

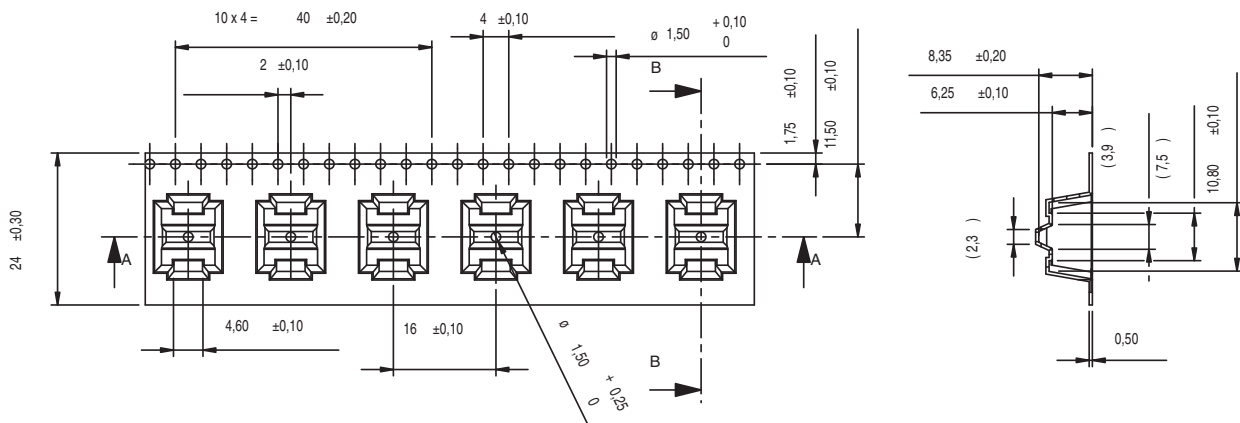
K5G DOUBLE STROKE VERSION



D

Key Switches

Tape and Reel



First Angle
Projection

Dimensions are shown: mm
Specifications and dimensions subject to change

C&K