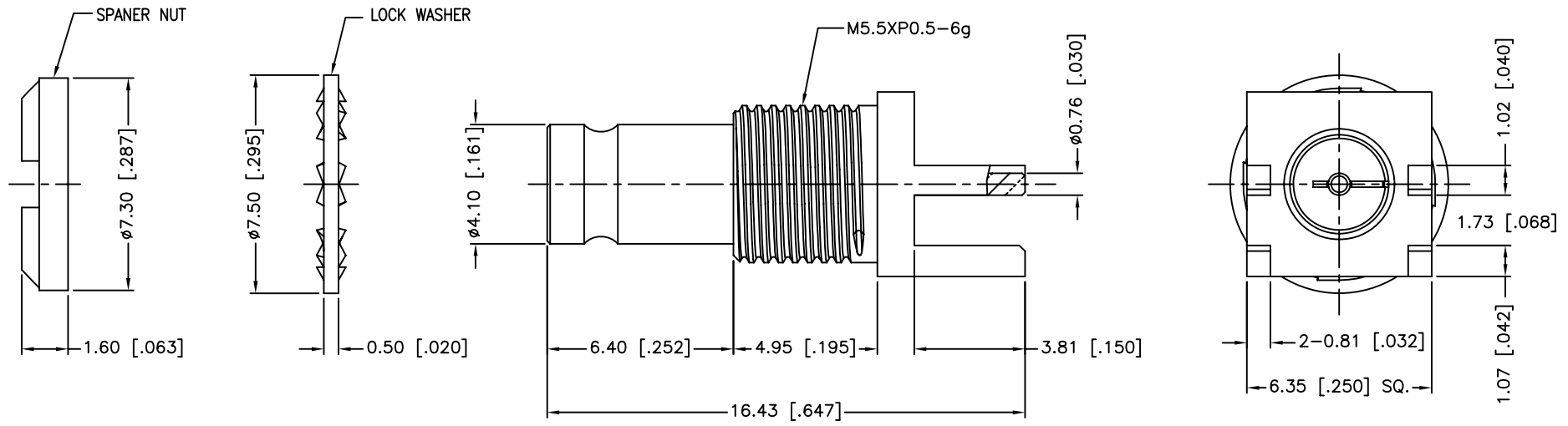
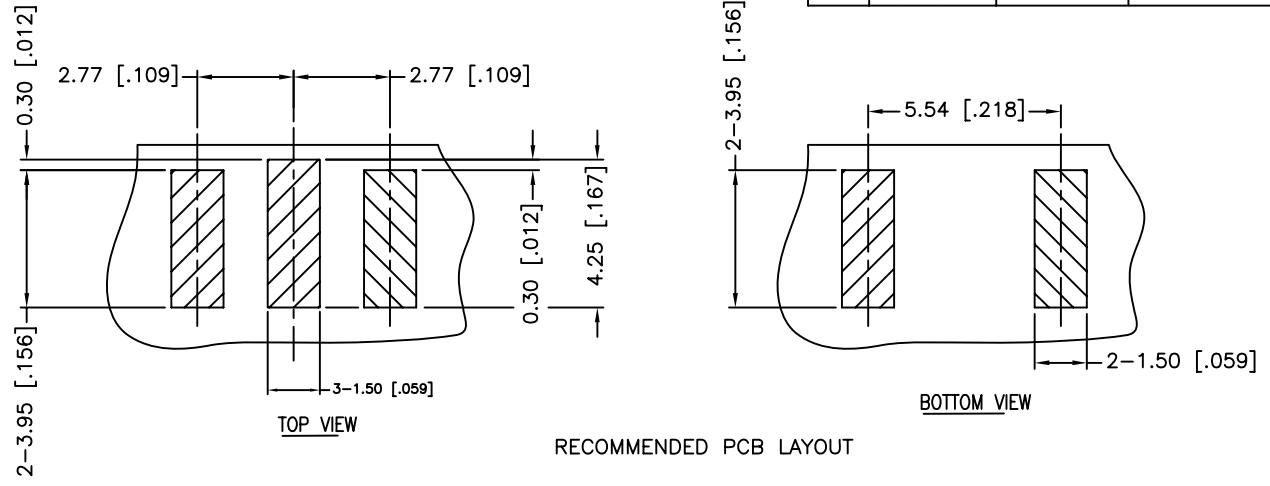


REV.	DATE	ECR NO.	DESCRIPTION
NC	03/08/10	XXXXXX	INITIAL RELEASE



1. FREQUENCY RANGE: 0 - 3 GHz
2. VSWR (RETURN LOSS): 1.15 MAX.

QTY	DESCRIPTION	MATERIAL	FINISH
5	SPANNER NUT	BRASS	GOLD
4	LOCK WASHER	BRASS	GOLD
3	CONTACT PIN	BER. COPPER	GOLD
2	INSULATOR	PTFE	NATURAL
1	BODY	BRASS	GOLD

UNLESS OTHERWISE SPECIFIED DIMENSIONS ARE IN MILLIMETERS. DIMENSIONS IN [] ARE IN INCHES AND FOR CUSTOMER REFERENCE ONLY.

UNLESS OTHERWISE SPECIFIED TOLERANCES FOR MILLIMETERS ARE:
0.5 - 8mm ± 0.20 mm
8 - 30mm ± 0.40 mm
30 - 120mm ± 0.50 mm

UNLESS OTHERWISE SPECIFIED TOLERANCES FOR INCHES ARE:
.020 - .315 ± 0.007 "
.315 - 1.180 ± 0.015 "
1.180 - 4.724 ± 0.020 "

DO NOT SCALE DRAWING

APPROVALS	DATE
DRAWN M.ZHANG	03/08/10
CHECKED	
ISSUED	
SHEET 1 OF 1	
CAD FILE C:/CONNEX/282133-75.DWG	

Amphenol Connex

PART DESCRIPTION
**1.0/2.3 END LAUNCH RECEPT. BULK HAND JACK
- 75 OHM (.062" BOARD THICKNESS)**

PART NO. **282133-75**

DWG. NO. 282133-75.DWG REV. NC SIZE A SCALE NA