

PLEASE CHECK WWW.MOLEX.COM FOR LATEST PART INFORMATION

Part Number: [0536470374](#)
Status: **Active**
Overview: [slimstack_0635mm_025_pitch](#)
Description: 0.635mm (.025") Pitch SlimStack™ Header, Surface Mount, Dual Row, Vertical Stacking, 8.00 and 14.00mm (.315 and .551") Stacking Heights, Lead-free, 30 Circuits, with Embossed Tape with Cover Packaging

Documents:

[3D Model](#) [Product Specification PS-52760-015 \(PDF\)](#)
[Drawing \(PDF\)](#) [RoHS Certificate of Compliance \(PDF\)](#)

General

Product Family	PCB Headers
Series	53647
Application	Board-to-Board
Comments	Stacking-Type
Overview	slimstack_0635mm_025_pitch
Product Name	SlimStack™

Physical

Breakaway	No
Circuits (Loaded)	30
Color - Resin	Brown
Durability (mating cycles max)	50
First Mate / Last Break	No
Glow-Wire Compliant	No
Guide to Mating Part	No
Keying to Mating Part	None
Lock to Mating Part	Yes
Mated Height (in)	0.315 In, 0.551 In
Mated Height (mm)	14.00 mm, 8.00 mm
Material - Metal	Brass, Phosphor Bronze, Stainless Steel
Material - Plating Mating	Gold
Material - Plating Termination	Tin
Number of Rows	2
Orientation	Vertical
PCB Locator	Yes
PCB Retention	Yes
Packaging Type	Embossed Tape on Reel
Pitch - Mating Interface (in)	0.025 In
Pitch - Mating Interface (mm)	0.64 mm
Polarized to PCB	Yes
Robotic Placement	Metal Cap
Stackable	No
Temperature Range - Operating	-55°C to +85°C
Termination Interface: Style	Surface Mount

Electrical

Current - Maximum per Contact	0.5A
Voltage - Maximum	100V

Material Info

Reference - Drawing Numbers

Packaging Specification	SPK-53647-001
Product Specification	PS-52760-015, RPS-52760-017, RPS-52760-018, RPS-52760-020, RPS-52760-021, RPS-52760-029

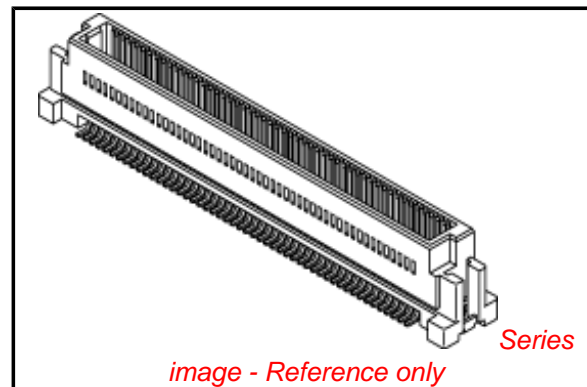


image - Reference only

EU RoHS

**ELV and RoHS
Compliant**
REACH SVHC
 Not Reviewed
**Halogen-Free
Status**

China RoHS



Not Reviewed
**Need more information on product
environmental compliance?**

Email productcompliance@molex.com
 For a multiple part number RoHS Certificate of Compliance, [click here](#)

Please visit the [Contact Us](#) section for any non-product compliance questions.

Search Parts in this Series

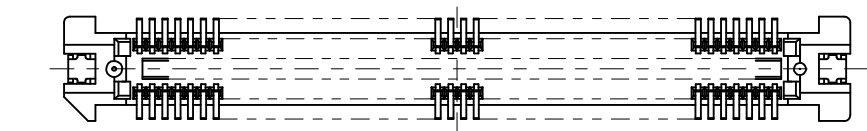
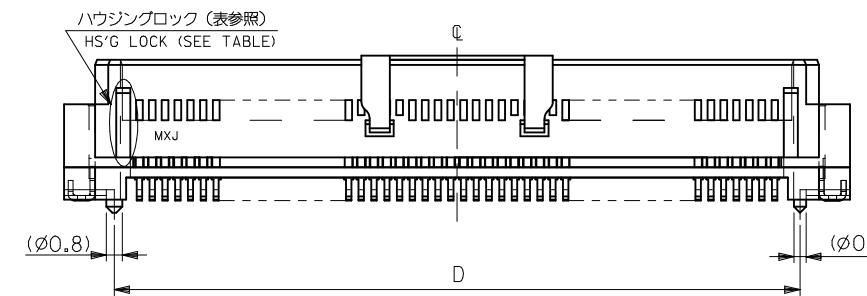
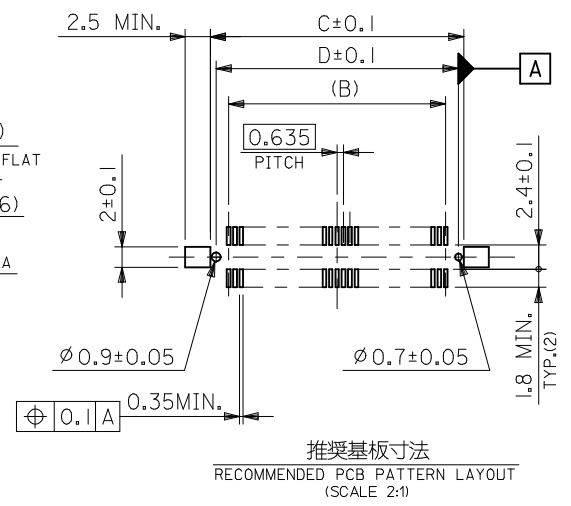
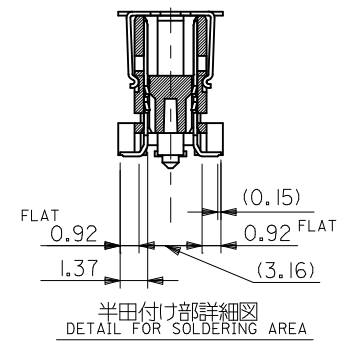
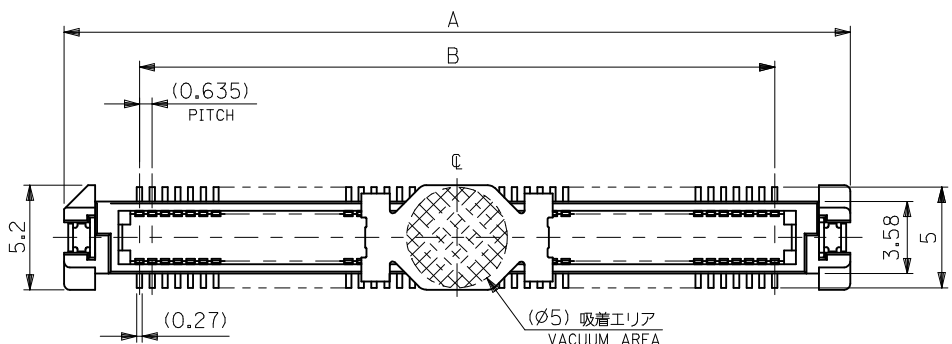
[53647Series](#)

Mates With

SlimStack™ Receptacle [52760](#) , [52837](#) ,
[52885](#) , [52901](#)

This document was generated on 05/25/2010

PLEASE CHECK WWW.MOLEX.COM FOR LATEST PART INFORMATION



注) NOTES

- 材質
 MATERIAL
 ハウジング: ガラス入りPPS、茶色、UL 94V-0
 HOUSING: G.F.PPS, BROWN, UL 94V-0
 ターミナル: 銅合金 (t=0.2)
 TERMINAL: COPPER ALLOY
 吸着カバー: ステンレス (t=0.2)
 VACUUM COVER: STAINLESS STEEL
- メッキ仕様
 PLATING
 接点部: 金メッキ 0.25μmMIN.
 CONTACT AREA: GOLD 0.25 MICROMETER MIN.
 半田付け部: 錫メッキ 1.0μmMIN.
 SOLDER TAIL AREA: TIN 1.0 MICROMETER MIN.
 下地メッキ: ニッケルメッキ 1.5μmMIN.
 UNDER-PLATING: NICKEL 1.5 MICROMETER MIN.
- テールのバラッキ寸法
 TAIL COPLANARITY
 テール平坦度は、0.1 MAX.とする。
 TAILS COPLANARITY TO BE 0.1MAX.
- 本製品は 53647-***2 の鉛フリー品である。
 THIS PRODUCT IS LEAD FREE OF 53647-***2.

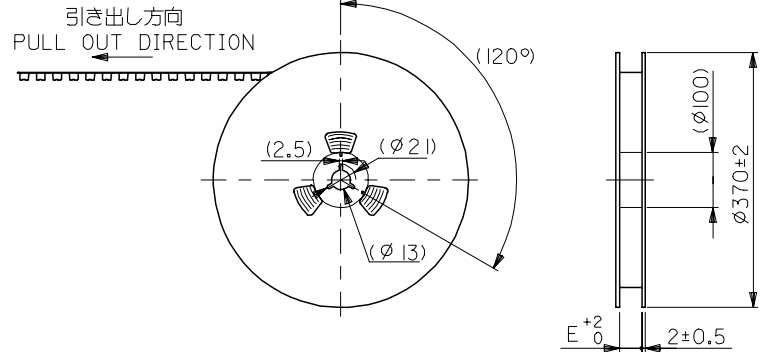
材料 MATERIAL	注) 参照 SEE NOTES
仕上げ FINISH	注) 参照 SEE NOTES
適用電線範囲 WIRE RANGE	— # —
被覆外径 INS. RANGE	— # —

REVISED	EC NO: J2009-1336
DRW: WYOSHIDAM	2008/12/19
CHKD: HARUYAMA	2008/12/19
APPR: NUKITA	2009/01/16

GENERAL TOLERANCES (UNLESS SPECIFIED)	
10 UNDER	±0.2
10 OVER 30 UNDER	±0.25
30 OVER	±0.3
ANGULAR ±3 °	
DRAFT WHERE APPLICABLE MUST REMAIN WITHIN DIMENSIONS	

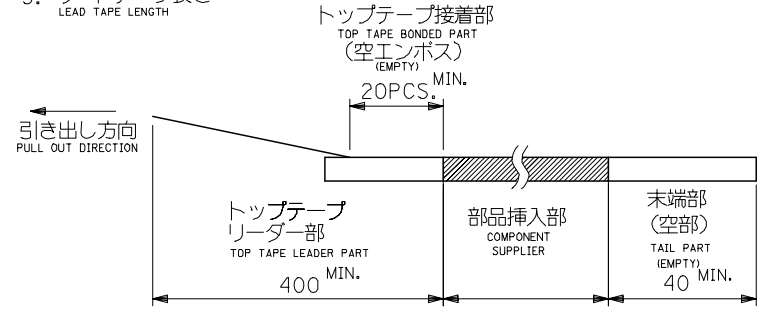
無し NO	52.67	53.77	50.165	57.67	53647-1674	53647-1675	53647-1609	160
	46.32	47.42	43.815	51.32	53647-1474	53647-1475	53647-1409	140
	39.97	41.07	37.465	44.97	53647-1274	53647-1275	53647-1209	120
	33.62	34.72	31.115	38.62	53647-1074	53647-1075	53647-1009	100
有り YES	27.27	28.37	24.765	32.27	53647-0874	53647-0875	53647-0809	80
	20.92	22.02	18.415	25.92	53647-0674	53647-0675	53647-0609	60
	14.57	15.67	12.065	19.57	53647-0474	53647-0475	53647-0409	40
	11.4	12.5	8.89	16.4	53647-0374	53647-0375	53647-0309	30
	8.22	9.32	5.715	13.22	53647-0274	53647-0275	53647-0209	20
ハウジングロック HS'G LOCK	D	C	B	A	エンボス梱包 EMBOSSED PACKAGING	スティック梱包 STICK PACKAGING	製品番号 MATERIAL NO.	極数 CKT. NO.

DIMENSION STYLE MM ONLY		SCALE ---	DESIGN UNITS METRIC	THIRD ANGLE PROJECTION
DRAWN BY Y. WADA	DATE '04/02/27	TITLE 0.635 PITCH B-TO-B PLUG HS'G COVER ASS'Y -LEAD FREE-		
CHECKED BY M. SASAO	DATE '04/02/27	MOLEX INCORPORATED		
APPROVED BY M. SASAO	DATE '04/02/27	MATERIAL NO. SEE CHART	DOCUMENT NO. SD-53647-002	SHEET NO. 1 OF 1
THIS DRAWING CONTAINS INFORMATION THAT IS PROPRIETARY TO MOLEX INCORPORATED AND SHOULD NOT BE USED WITHOUT WRITTEN PERMISSION				

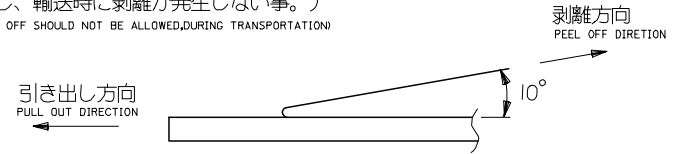


注)
NOTES

- 製品番号 53647-***9 の詳細寸法については、SD-53647-002 を参照下さい。
IN THE PACKAGE, PART NO. 53647-***9 DETAILED DIMENSIONS, SEE SD-53647-002
- 梱包数量 : 840個/リール
NUMBER OF CONNECTORS : 840 PCS/REEL
- リードテープ長さ
LEAD TAPE LENGTH



- トップテープの剥離強度 (剥離方向は下図参照)
PEELING OFF FORCE OF TOP TAPE (PEELING DIRECTION AS SHOWN IN FOLLOWING FIG.)
0.1~1.3N {10~130gf}
尚、本規格値は、出荷時に適用。
THIS REQUIREMENT SHOULD BE APPLIED AT SHIPMENT
(但し、輸送時に剥離が発生しない事。)
(PEEL OFF SHOULD NOT BE ALLOWED, DURING TRANSPORTATION)

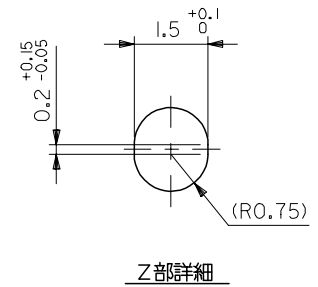
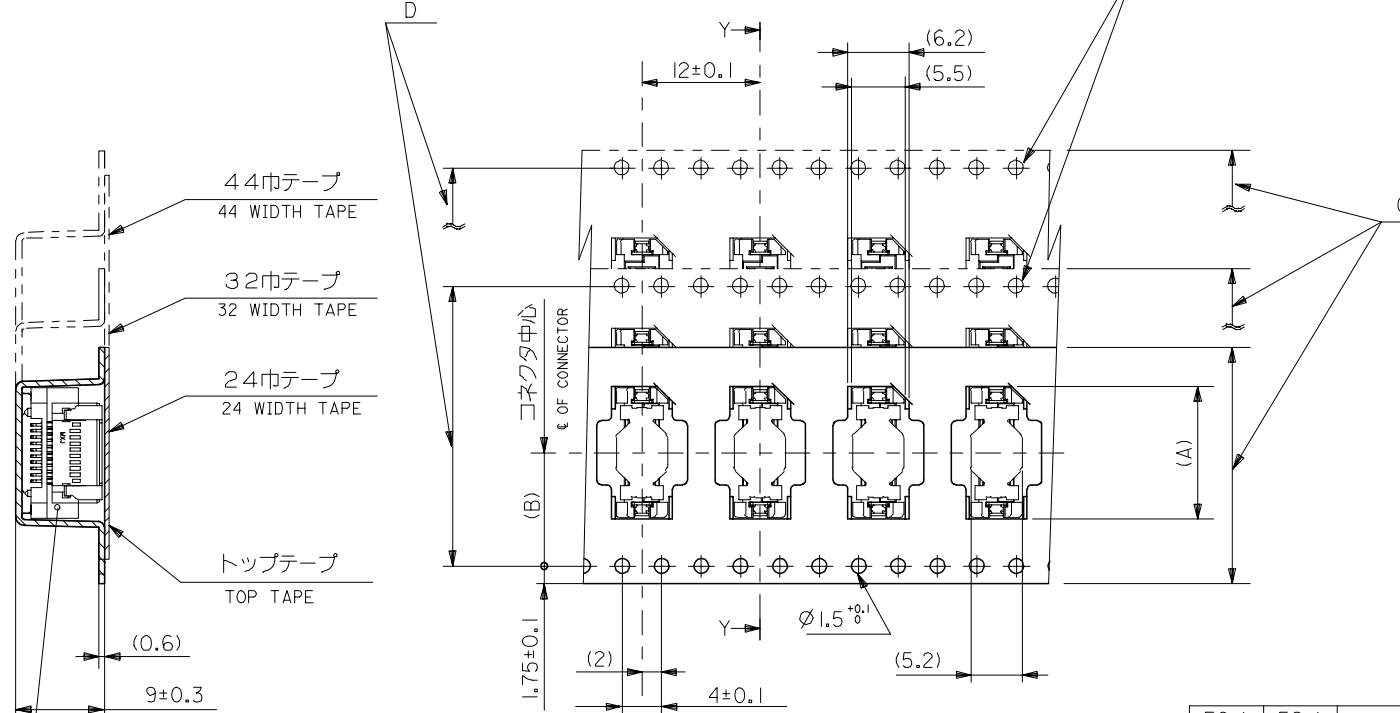


- 材料
MATERIAL
キャリアテープ : ポリプロピレン (PP)
CARRIER TAPE : POLYPROPYLENE (PP)
トップテープ : PET, PE, PEF
TOP TAPE : PET, PE, PEF
リール : 紙
REEL : CARD BOARD
- 本製品は53647-***4の鉛フリー品である。
THIS PRODUCT IS LEAD FREE OF 53647-***4.

MODEL NO. 53647-***9

REVISED EC NO: J2006-1852 DRWN: NABEI 2005/12/02 CHKD: TOYODA 2005/12/05 APPR: NUKITA 2005/12/14	GENERAL TOLERANCES (UNLESS SPECIFIED)		DIMENSION STYLE MM ONLY		SCALE ---	DESIGN UNITS METRIC	THIRD ANGLE PROJECTION	
	10 UNDER	± ---	DRAWN BY Y. WADA	DATE '04/03/01	TITLE 53647-***9 TAPING PACKAGE -LEAD FREE-			
	10 OVER 30 UNDER	± ---	CHECKED BY M. SASAO	DATE '04/03/01	MOLEX INCORPORATED			
	30 OVER	± ---	APPROVED BY M. SASAO	DATE '04/03/01				
ANGULAR	± --- °	MATERIAL NO. SEE CHART		DOCUMENT NO. SD-53647-003		SHEET NO. 1 OF 3		
DRAFT WHERE APPLICABLE MUST REMAIN WITHIN DIMENSIONS		SIZE A3 THIS DRAWING CONTAINS INFORMATION THAT IS PROPRIETARY TO MOLEX INCORPORATED AND SHOULD NOT BE USED WITHOUT WRITTEN PERMISSION						

引き出し方向
PULL OUT DIRECTION



断面 Y-Y
SECTION Y-Y

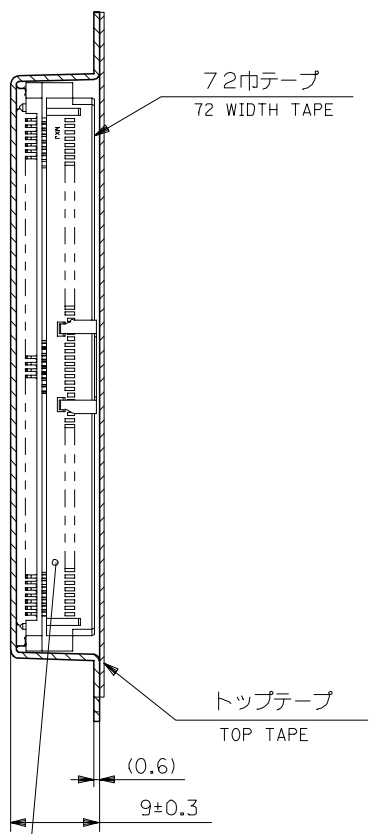
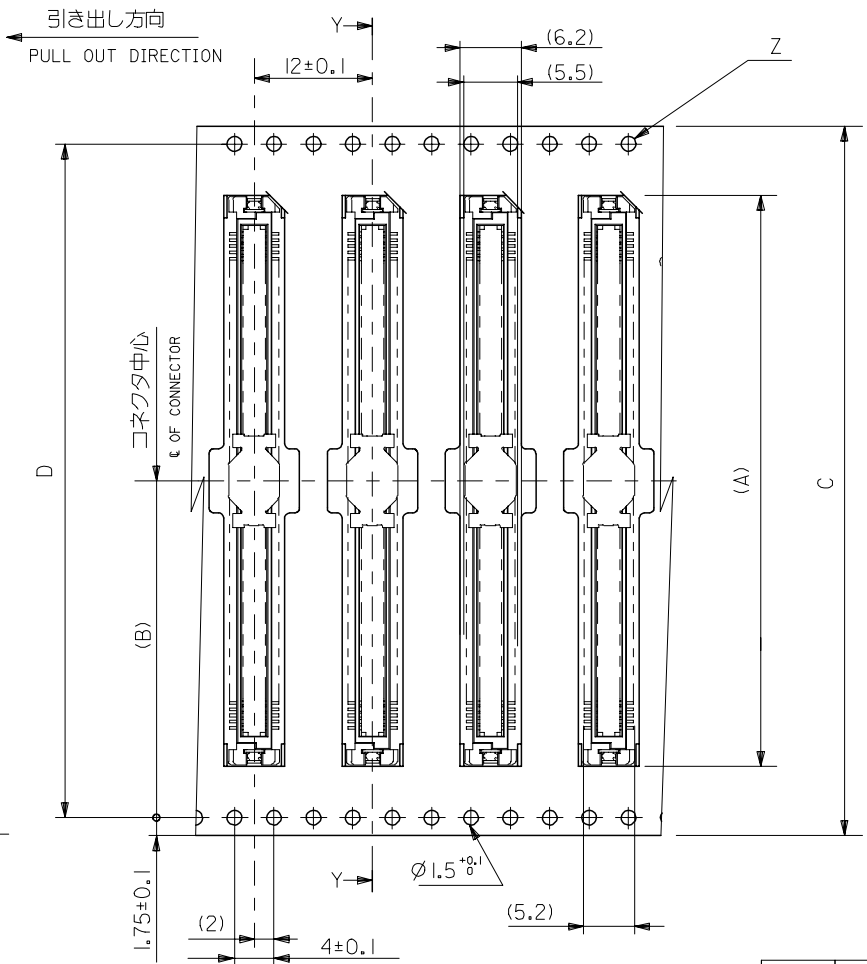
56.4	52.4	56 ^{+0.3}	26.2	38.9	53647-1074	100
44.4	40.4	44 ^{+0.3}	20.2	32.6	↑ -0874	80
44.4	40.4	44 ^{+0.3}	20.2	26.2	-0674	60
32.4	28.4	32 ^{+0.3}	14.2	19.9	↓ -0474	40
24.4	—	24 ^{+0.3}	11.5	16.7	-0374	30
E	D	C	キャリアテープ幅 CARRIER TAPE WIDTH	(B)	(A)	MATERIAL NO. 極致 NO. OF CXTS.
				MODEL NO. 53647-***9		

REVISED EC NO: J2006-1852 DRWN: NABEI 2005/12/02 CHKD: KTOYODA 2005/12/05 APPR: NUKITA 2005/12/14 DESCRIPTION REV	GENERAL TOLERANCES (UNLESS SPECIFIED)		DIMENSION STYLE MM ONLY		SCALE ---	DESIGN UNITS METRIC	THIRD ANGLE PROJECTION
	10 UNDER	± ---	DRAWN BY Y. WADA	DATE '04/03/01	TITLE 53647-***9 TAPING PACKAGE -LEAD FREE-		
	10 OVER 30 UNDER	± ---	CHECKED BY M. SASAO	DATE '04/03/01	MOLEX INCORPORATED		
	30 OVER	± ---	APPROVED BY M. SASAO	DATE '04/03/01	DOCUMENT NO. SD-53647-003		
	ANGULAR	± --- °	MATERIAL NO.		SHEET NO. 2 OF 3		
DRAFT WHERE APPLICABLE MUST REMAIN WITHIN DIMENSIONS			SIZE A3		THIS DRAWING CONTAINS INFORMATION THAT IS PROPRIETARY TO MOLEX INCORPORATED AND SHOULD NOT BE USED WITHOUT WRITTEN PERMISSION		

10 9 8 7 6 5 4 3 2 1

F
E
D
C
B
A

F
E
D
C
B
A



断面 Y-Y
SECTION Y-Y

53647-***9
CONNECTOR

累積ピッチ : 40±0.2
ACCUMULATIVE
PITCH : 40±0.2

72.4	68.4	72 ±0.3	34.2	51.6	53647-1474	140
E	D	C	(B)	(A)	MATERIAL NO.	極致 NO. OF CKTS.

REVISED EC NO: J2006-1852 DRWN: NABEI CHKD: TOYODA APPR: NUKITA	2005/12/02	2005/12/05	2005/12/14	GENERAL TOLERANCES (UNLESS SPECIFIED)		DIMENSION STYLE MM ONLY	SCALE ---	DESIGN UNITS METRIC	MODEL NO. 53647-***9	THIRD ANGLE PROJECTION
	DESCRIPTION	10 UNDER	± ---	10 OVER 30 UNDER	± ---	DRAWN BY Y. WADA	DATE '04/03/01	TITLE 53647-***9 TAPING PACKAGE -LEAD FREE-		
		30 OVER	± ---	ANGULAR ± --- °		CHECKED BY M. SASAO	DATE '04/03/01	APPROVED BY M. SASAO		
		DRAFT WHERE APPLICABLE MUST REMAIN WITHIN DIMENSIONS		SEE CHART		MATERIAL NO.	DOCUMENT NO. SD-53647-003	SHEET NO. 3 OF 3		